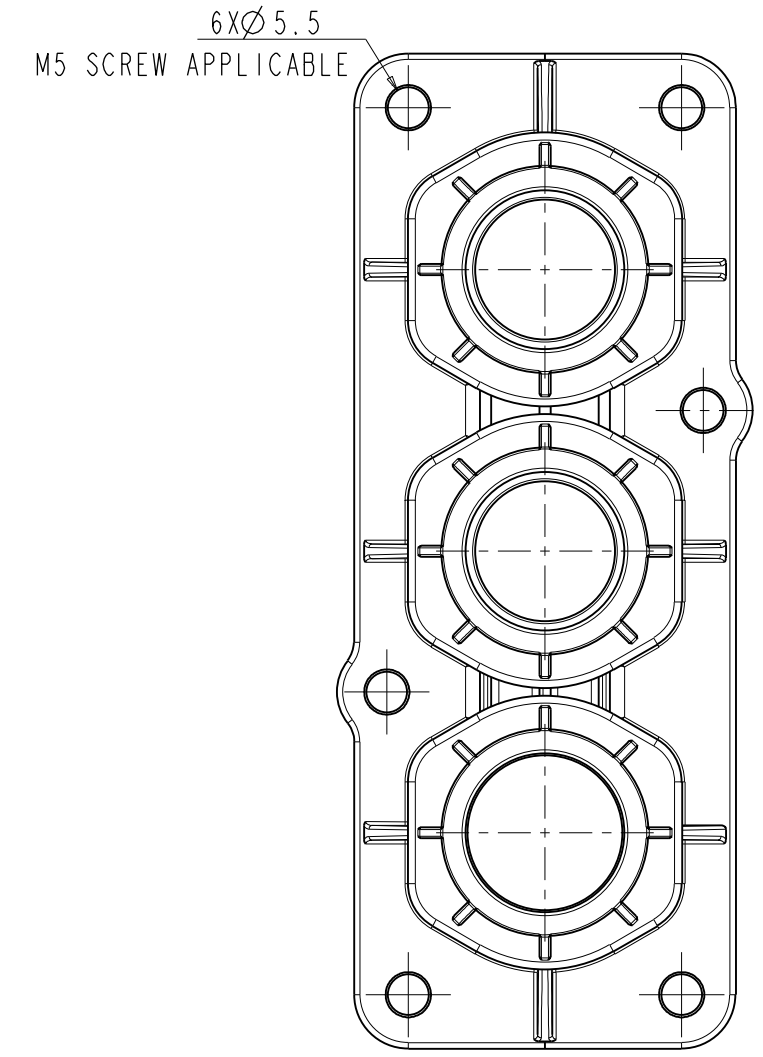
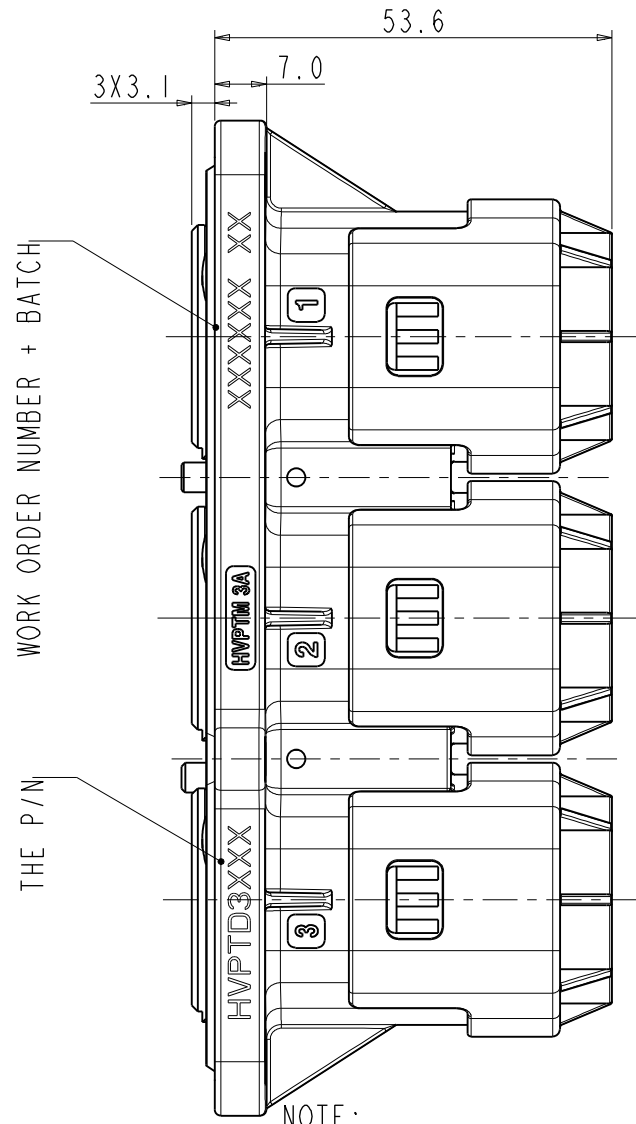
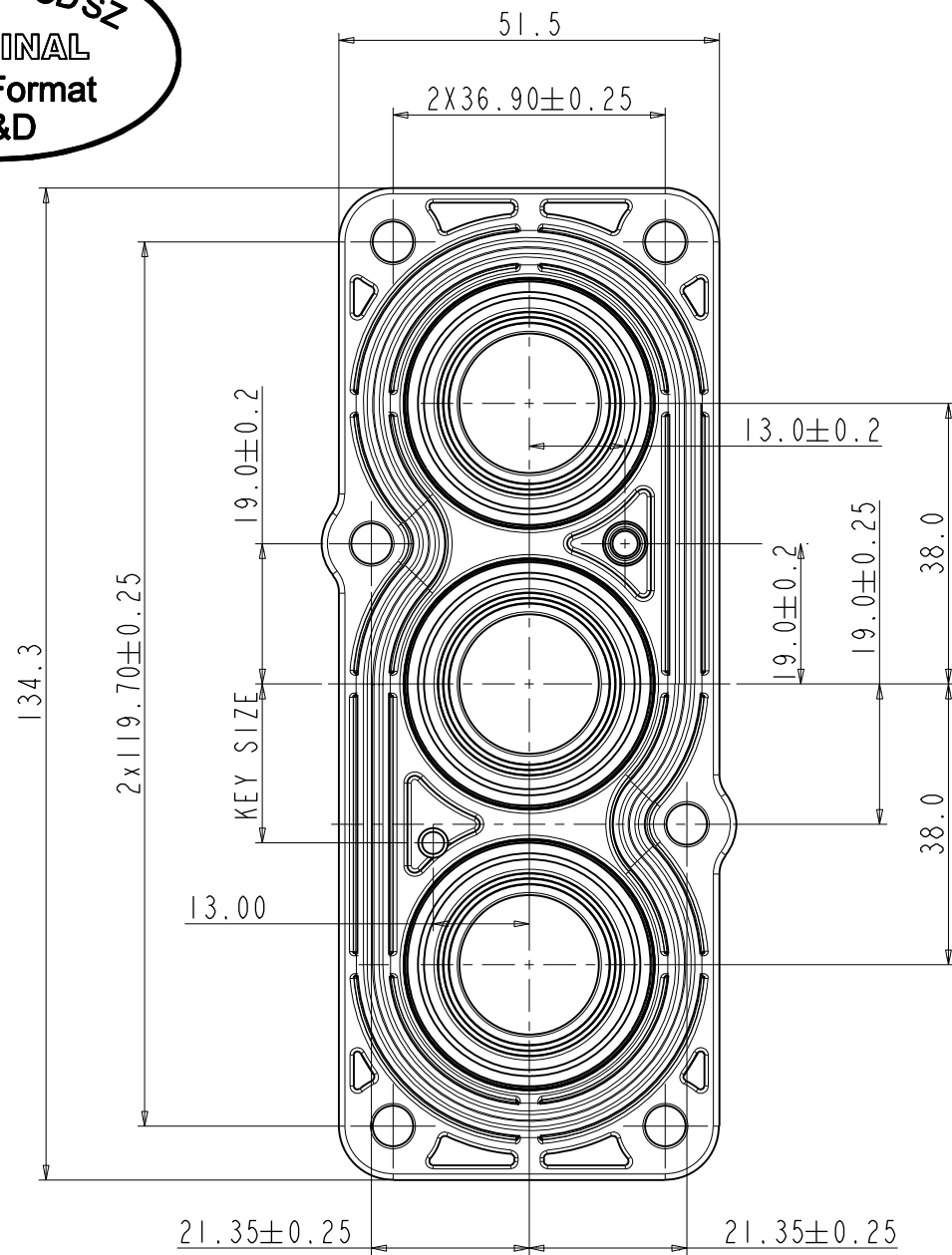


C-HVPTD3XXX

REV	ECN	DESCRIPTION	DATE	MODIFIED
1		RELEASE	Jul-12-2024	

Amphenol PCDSZ  
ORIGINAL  
PDF Format  
R&D



WORK ORDER NUMBER + BATCH  
THE P/N

- NOTE:
- CONNECTOR DON'T INCLUDE TERMINAL, NEED TO BUY SEPARATE:  
 THE LUG FOR 120MM<sup>2</sup> CABLE: POIBS00173, USE LEVEL: 3PCS  
 THE LUG FOR 95MM<sup>2</sup> CABLE: POIBS00172, USE LEVEL: 3PCS  
 THE LUG FOR 70MM<sup>2</sup> CABLE: POIBS00254, USE LEVEL: 3PCS  
 THE LUG FOR 150MM<sup>2</sup> CABLE: POIBS00223, USE LEVEL: 3PCS
  - RECOMMENDED FLANGE TIGHTENING TORQUE: 5.9±10%N.m
  - HOW TO ORDER:  
 HVPTD 3 X XX  
 A: CODING A 01: FOR 95mm<sup>2</sup> SHIELDING CABLE; OD=20.9+0/-0.8mm  
 B: CODING B 02: FOR 120mm<sup>2</sup> SHIELDING CABLE; OD=23.0+0/-0.8mm  
 03: FOR 70mm<sup>2</sup> SHIELDING CABLE; OD=19.5+0.5/0mm  
 04: FOR 150mm<sup>2</sup> SHIELDING CABLE; OD=25±0.5mm

C-HVPTD3XXX

C-HVPTD3XXX

安费诺精密连接器(深圳)有限公司  
Amphenol PCD Shenzhen  
受控文件  
2024年7月17日

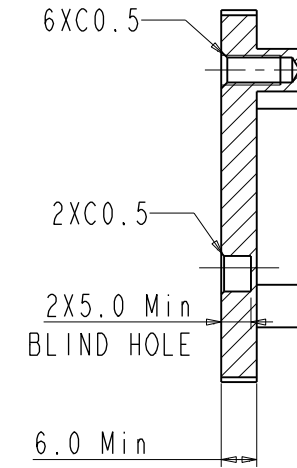
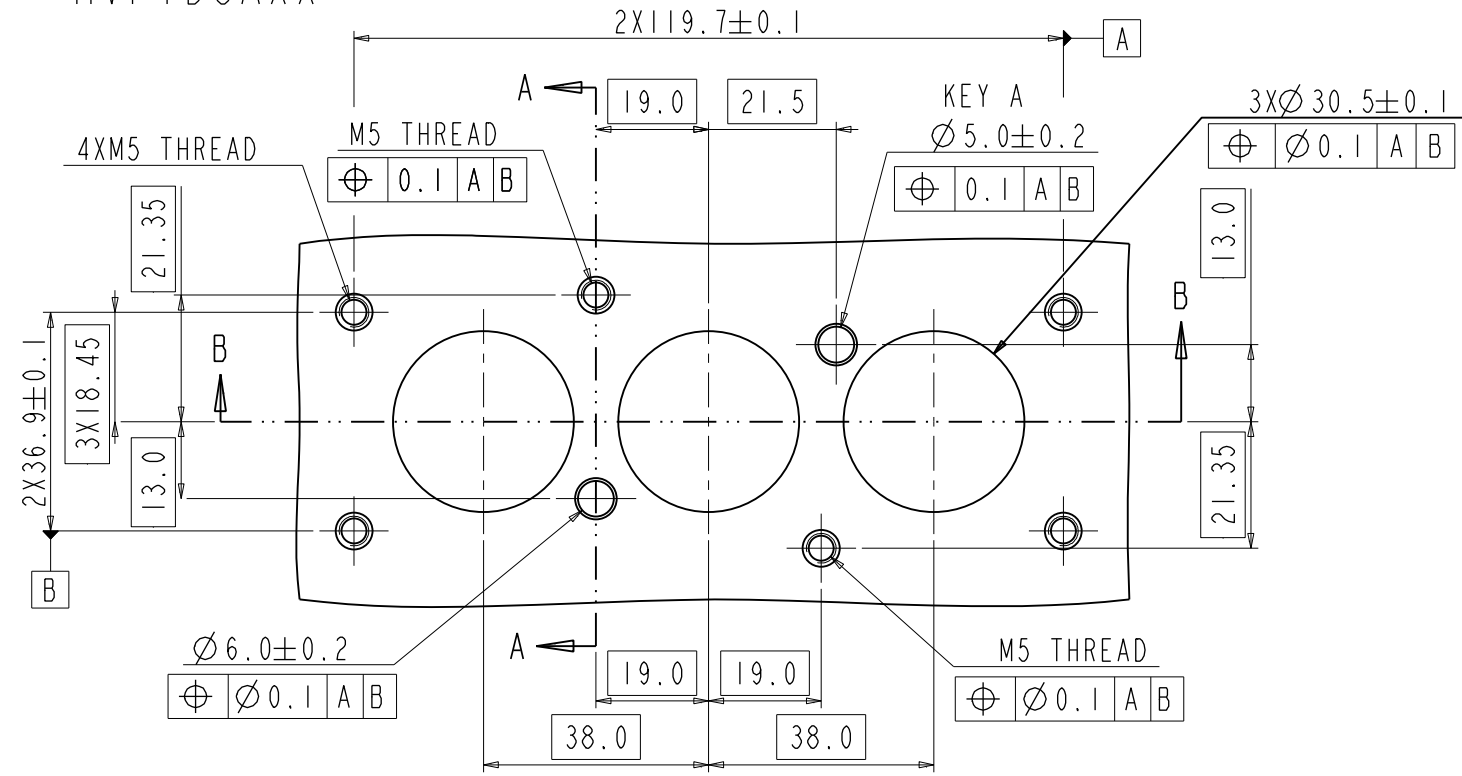
ITEM	DESCRIPTION	KEY SIZE
2	CODING B	16.5±0.2
1	CODING A	21.5±0.2

TECHNICAL DATA:		FEATURE
OPERATING TEMPERATURE	-40-125°C	
SHIELDING	YES	
WATERPROOF	IP67&IP6K9K	+
RoHS&REACH	YES	+
CORROSION-PROOF GRADE (NEUTRAL SALT SPRAY)	500 HOURS	

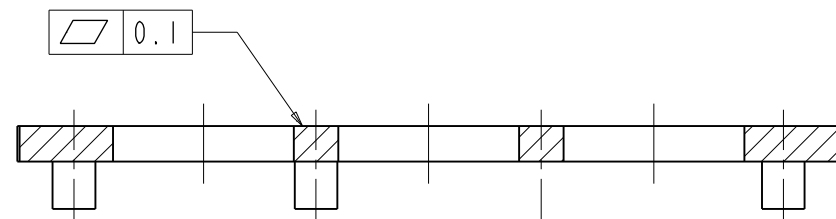
DIMENSIONS	TOLERANCES	PROJECTION	TITLE		
ANSI Y14.5M UNITS: MM Pro/E FILE	X ±0.5 XX ±0.05 ANGLES ±2°		Amphenol PCD Shenzhen		
ORIGINAL	THIS DOCUMENT CONTAINS PROPRIETARY INFORMATION WHICH IS THE CONFIDENTIAL PROPERTY OF Amphenol PCD Shenzhen Co. Ltd Amphenol PCD Shenzhen Co. Ltd RESERVES THE RIGHT TO CLARIFY THIS DRAWING	CHKD	SIZE	DWG NO.	REV
		APPD	A3	C-HVPTD3XXX	1
			SCALE: 1:1 SHEET 1 OF 3		

# MOUNTING PANEL RECOMMENDATION

## HVPTD3AXX

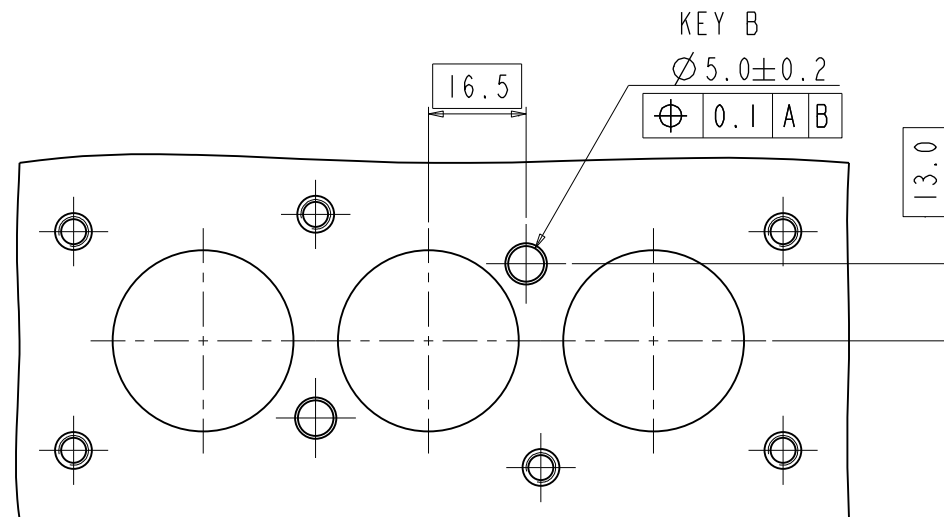


SECTION A-A



SECTION B-B

## HVPTD3BXX



安费诺精密连接器(深圳)有限公司  
Amphenol PCD Shenzhen

受控文件

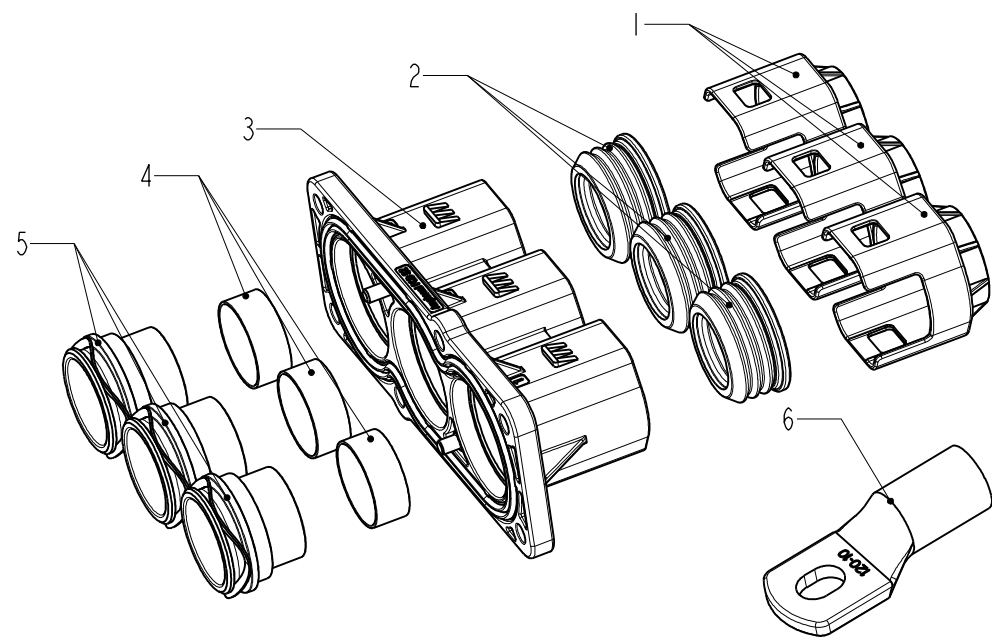
2024年7月17日

C-HVPTD3XXX

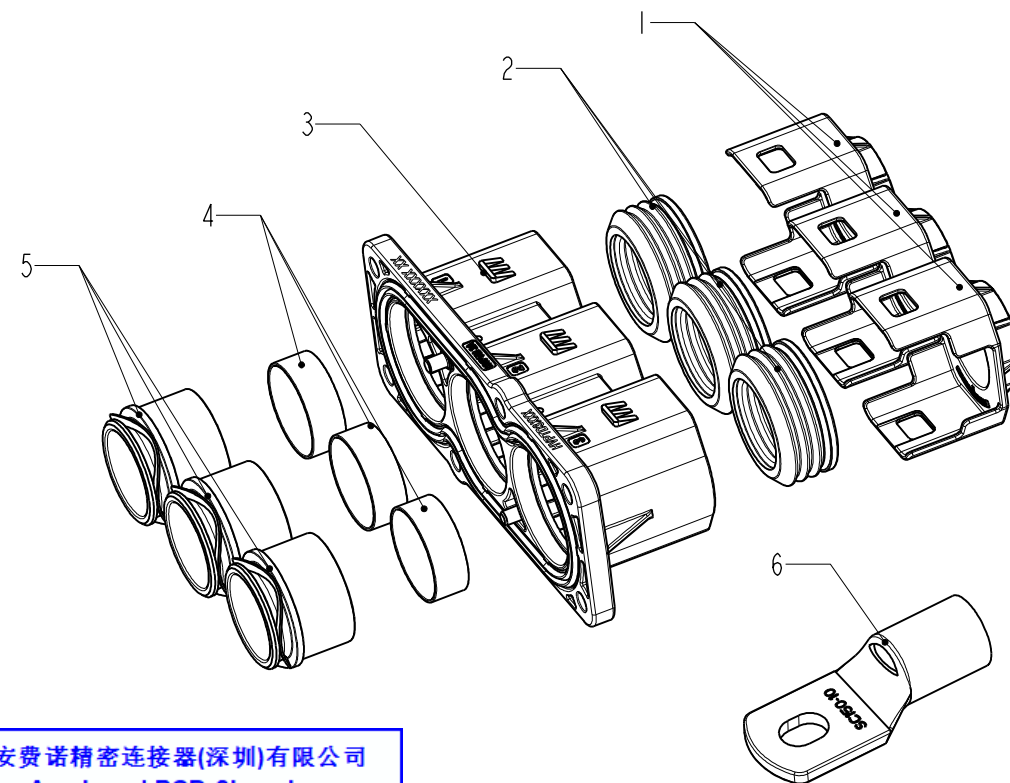
C-HVPTD3XXX

SIZE <b>A3</b>	DWG NO. <b>C-HVPTD3XXX</b>	REV <b>1</b>
SCALE: 1:1		SHEET 2 OF 3

PARTS DESCRIPTION



HVPTD3X01 HVPTD3X02 HVPTD3X03	6	P01BS00173	TERMINAL FOR 120MM <sup>2</sup> CABLE (NEED BUY SEPARATE)	3
		P01BS00172	TERMINAL FOR 95MM <sup>2</sup> CABLE (NEED BUY SEPARATE)	3
		P01BS00254	TERMINAL FOR 70MM <sup>2</sup> CABLE (NEED BUY SEPARATE)	3
	5	P02B00075401	SHIELDING FOR 120mm <sup>2</sup> CABLE	3
		P02B00075402	SHIELDING FOR 95mm <sup>2</sup> CABLE	3
		P02B00075403	SHIELDING FOR 70mm <sup>2</sup> CABLE	3
	4	P01BM02489	SHIELDING RING FOR 120MM <sup>2</sup> CABLE	3
		P01BM02562	SHIELDING RING FOR 95MM <sup>2</sup> CABLE	3
		P01BM02563	SHIELDING RING FOR 70MM <sup>2</sup> CABLE	3
	3	P02B00011101	HVPTM BODY KEY A	1
		P02B00011102	HVPTM BODY KEY B	1
	2	P01BR00306	CABLE SEAL FOR 120mm <sup>2</sup> CABLE	3
		P01BR00307	CABLE SEAL FOR 95mm <sup>2</sup> CABLE	3
		P01BR00423	CABLE SEAL FOR 70mm <sup>2</sup> CABLE	3
	1	P01BP0033301	BACK CAP FOR 120mm <sup>2</sup> CABLE	3
		P01BP0033302	BACK CAP FOR 95mm <sup>2</sup> CABLE	3
		P01BP0033303	BACK CAP FOR 70mm <sup>2</sup> CABLE	3
	ITEM	P/N	DESCRIPTION	QTY



安费诺精密连接器(深圳)有限公司  
Amphenol PCD Shenzhen  
受控文件  
2024年7月17日

HVPTD3X04	6	P01BS00223	TERMINAL FOR 150MM <sup>2</sup> CABLE (NEED BUY SEPARATE)	3
	5	P02B000755	SHIELDING FOR 150mm <sup>2</sup> CABLE	3
	4	P01BM02564	SHIELDING RING FOR 150MM <sup>2</sup> CABLE	3
	3	P02B00076301	HVPTM BODY KEY A	1
		P02B00076302	HVPTM BODY KEY B	1
	2	P01BR00424	CABLE SEAL FOR 150mm <sup>2</sup> CABLE	3
	1	P01BP0055001	BACK CAP FOR 150mm <sup>2</sup> CABLE	3
	ITEM	P/N	DESCRIPTION	QTY

SIZE <b>A3</b>	DWG NO. <b>C-HVPTD3XXX</b>	REV <b>1</b>
SCALE: 1:1		SHEET 3 OF 3

C-HVPTD3XXX

C-HVPTD3XXX