

C-HVPTD2XXX

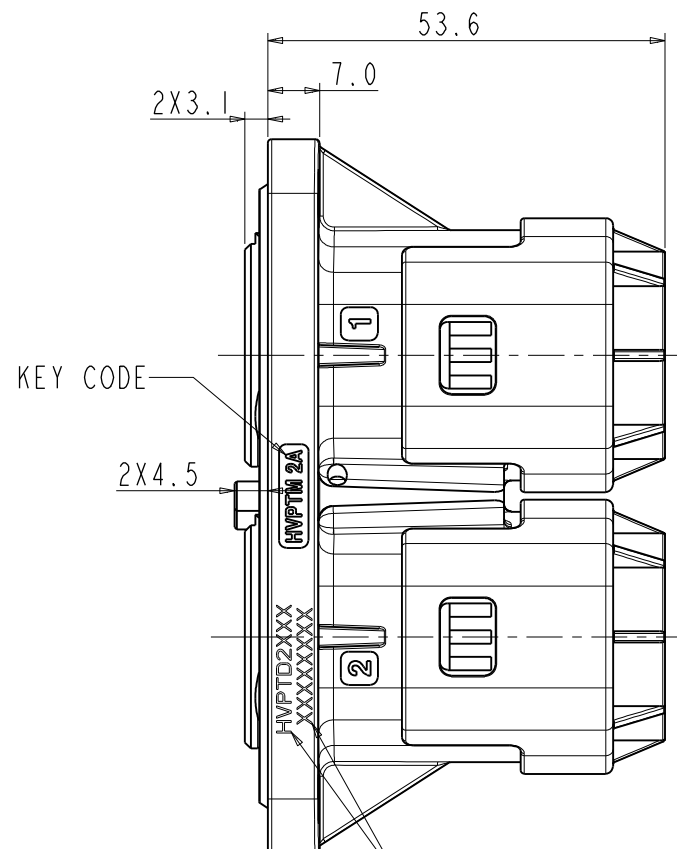
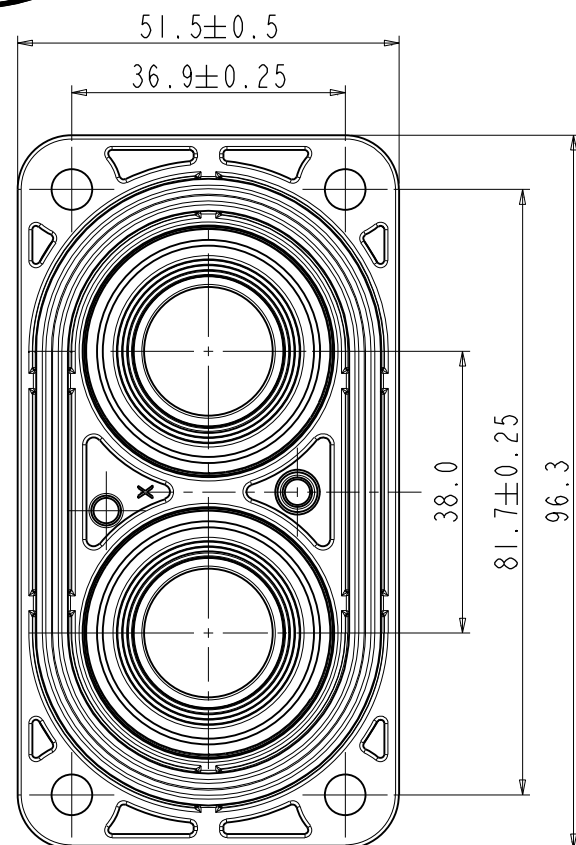
Amphenol PCDSZ  
ORIGINAL  
PDF Format  
R&D

安费诺精密连接器(深圳)有限公司  
Amphenol PCD Shenzhen

受控文件

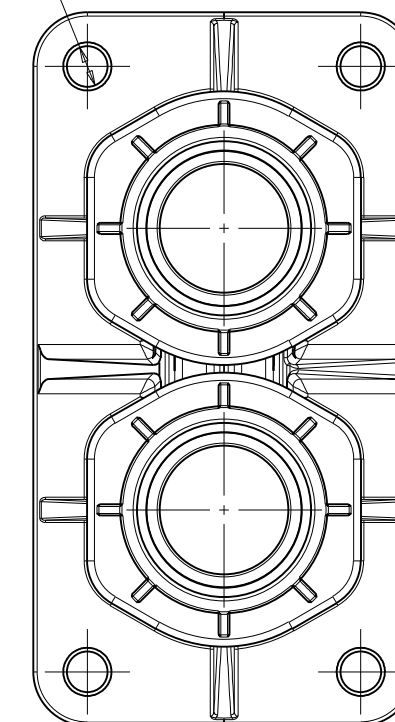
2025年1月14日

REV	ECN	DESCRIPTION	DATE	MODIFIED
1		RELEASE	Jul-24-2024	
2	C8274N	CORRECTED PART NUMBER	Dec-10-2024	



M5 SCREW AND WASHER APPLICABLE

4XØ5.5



PRINTING CONTENT:  
THE FIRST ROW IS P/N(PRINT THE FULL CODE)  
THE SECOND ROW IS TRACEABILITY CODE

NOTE:

- CONNECTOR DON'T INCLUDE O-T TERMINAL, NEED TO BUY SEPARATE:  
THE LUG FOR 120MM<sup>2</sup> CABLE:POIBS00173,USE LEVEL: 2PCS  
THE LUG FOR 95MM<sup>2</sup> CABLE:POIBS00172,USE LEVEL: 2PCS  
THE LUG FOR 70MM<sup>2</sup> CABLE:POIBS00254,USE LEVEL: 2PCS  
THE LUG FOR 150MM<sup>2</sup> CABLE:POIBS00223,USE LEVEL: 2PCS
- RECOMMENDED FLANGE TIGHTENING TORQUE:5.9±10%N.m
- HOW TO ORDER:

HVPTD 2 X XX

A: CODING A 01: FOR 95mm<sup>2</sup> SHIELDED WIRE;OD=20.9+0/-0.8mm  
B: CODING B 02: FOR 120mm<sup>2</sup> SHIELDED WIRE;OD=23.0+0/-0.8mm  
03: FOR 70mm<sup>2</sup> SHIELDED WIRE;OD=19.5+0.5/0mm  
04: FOR 150mm<sup>2</sup> SHIELDED WIRE;OD=25±0.5mm

TECHNICAL DATA:		FEATURE
OPERATING TEMPERATURE	-40-125°C	
SHIELDING	YES	
WATERPROOF	IP67&IP6K9K	✦
RoHS&REACH	YES	✦
CORROSION-PROOF GRADE (NEUTRAL SALT SPRAY)	500 HOURS	

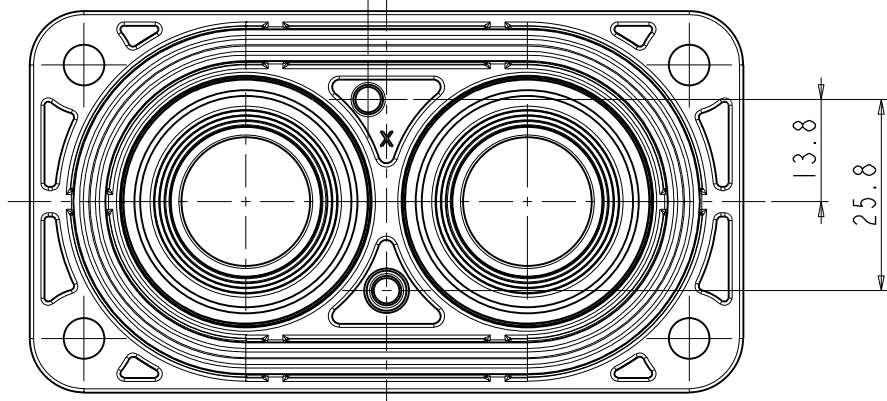
DIMENSIONS	TOLERANCES	PROJECTION	TITLE		
ANSI Y14.5M UNITS: MM Pro/E FILE	X ±0.5 .XX ±0.05 ANGLES ±2°		Amphenol PCD Shenzhen		
ORIGINAL	THIS DOCUMENT CONTAINS PROPRIETARY INFORMATION WHICH IS THE CONFIDENTIAL PROPERTY OF Amphenol PCD Shenzhen Co. Ltd Amphenol PCD Shenzhen Co. Ltd RESERVES THE RIGHT TO CLARIFY THIS DRAWING	ENGR	PASS THROUGH 2PIN 250A-500A		
		CHKD	SIZE A3	DWG NO. C-HVPTD2XXX	REV 2
		APPD	SCALE: 1:1 SHEET 1 OF 4		

C-HVPTD2XXX

C-HVPTD2XXX

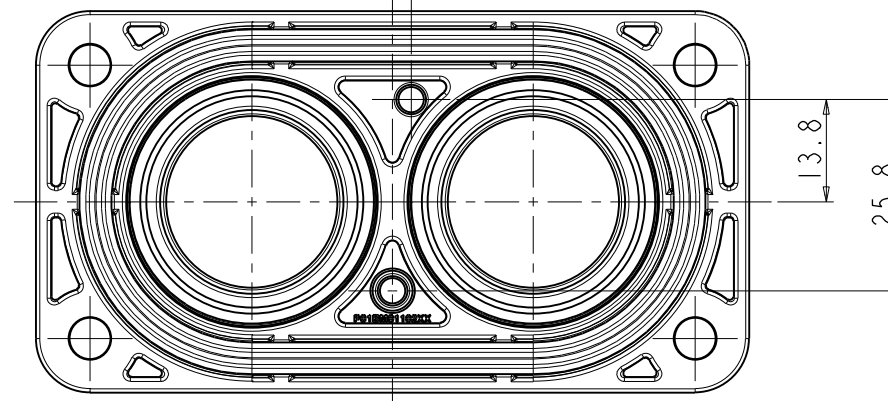
C-HVPTD2XXX

HVPTD2AXX  
CODING A  
2.5

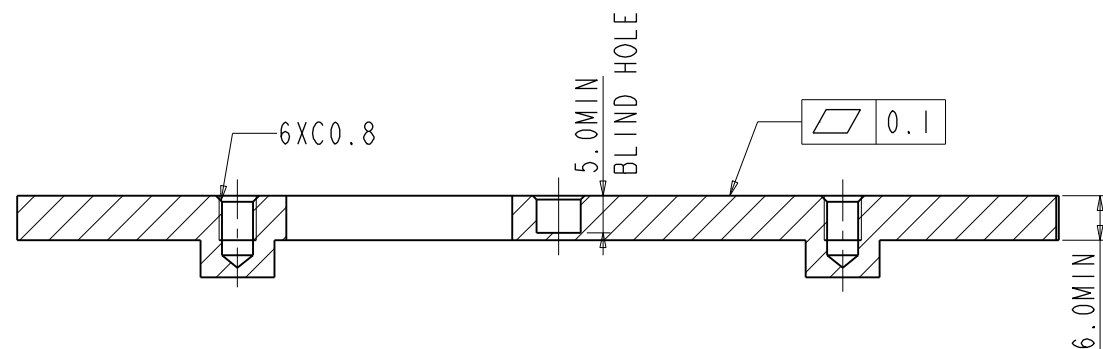
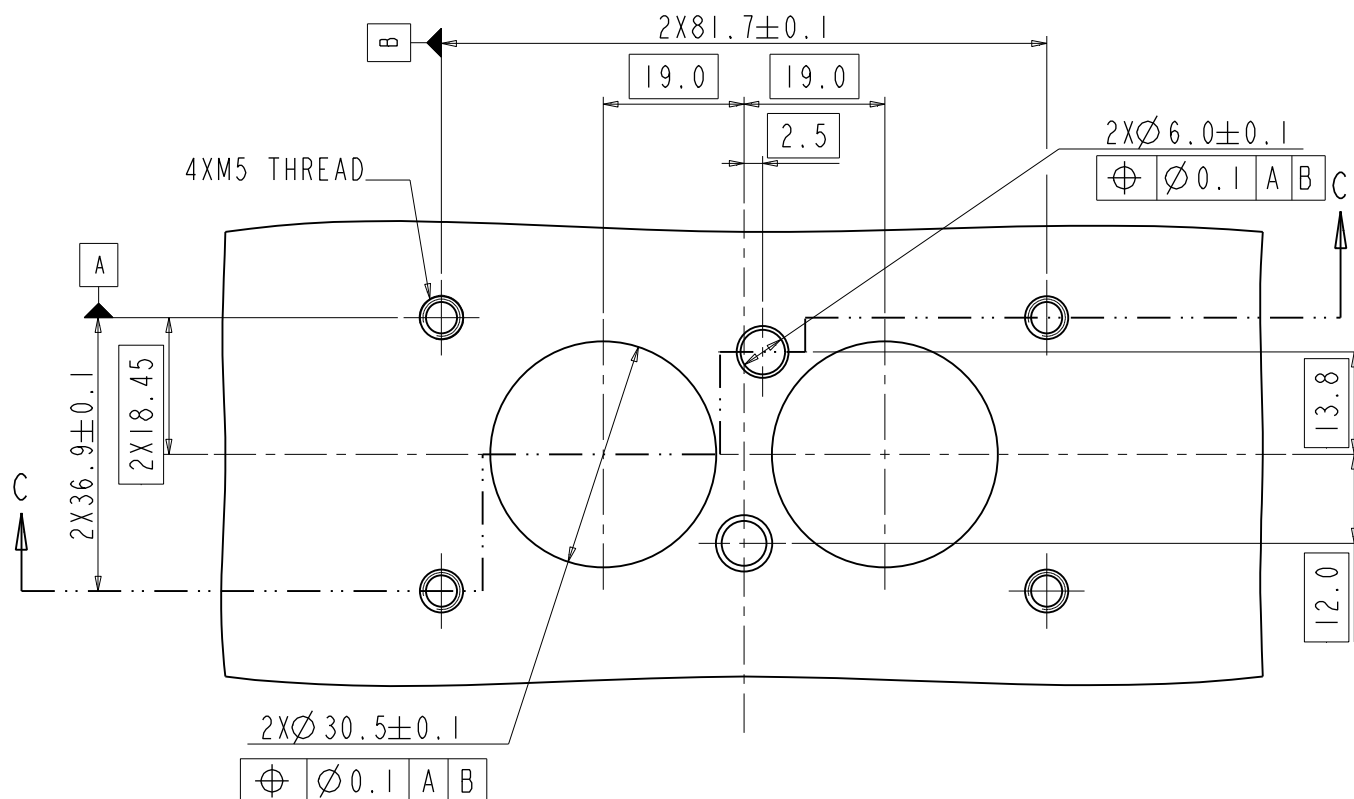


安费诺精密连接器(深圳)有限公司  
Amphenol PCD Shenzhen  
受控文件  
2025年1月14日

HVPTD2BXX  
CODING B  
2.5

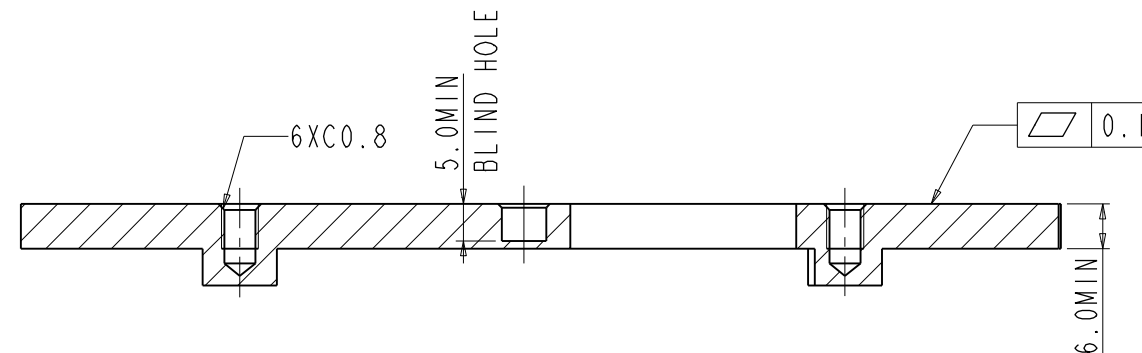
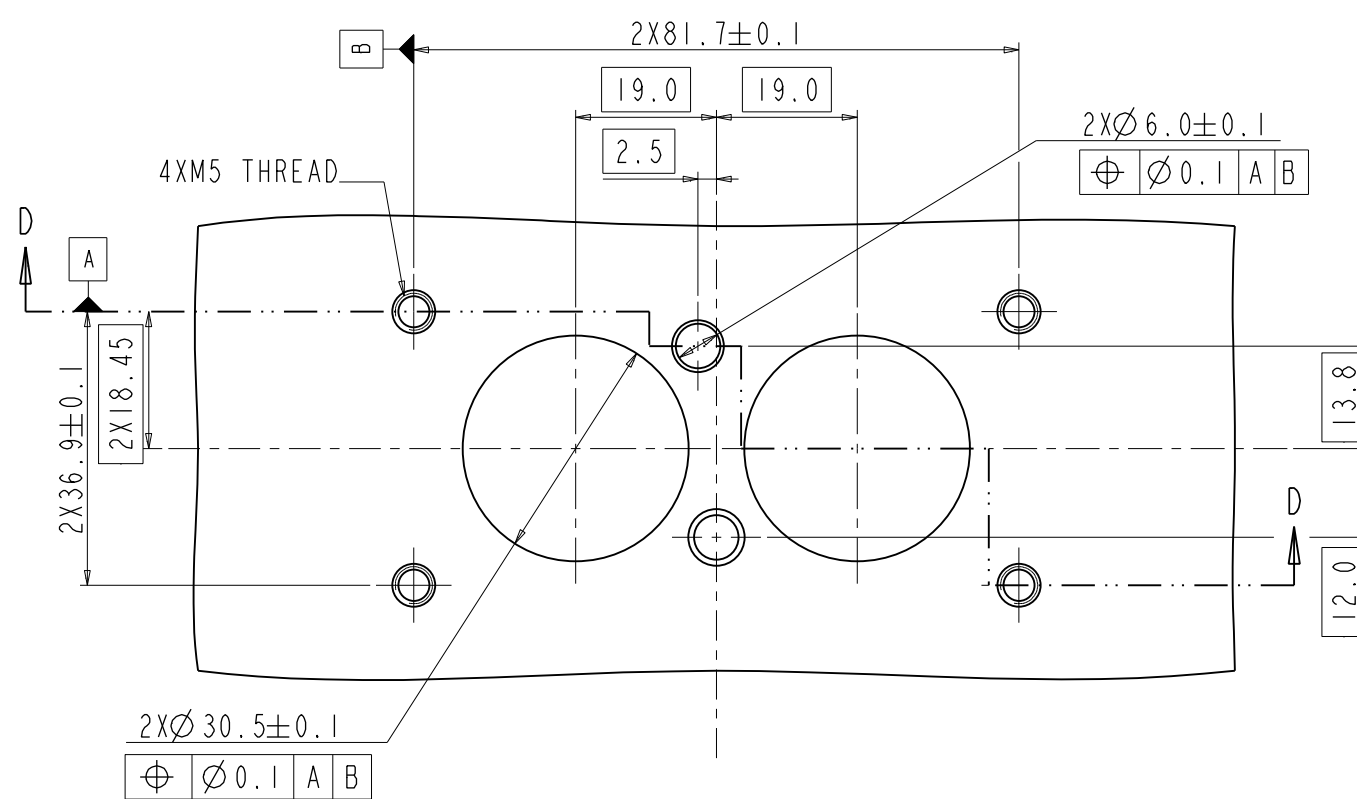


C-HVPTD2XXX



SECTION C-C

C-HVPTD2XXX

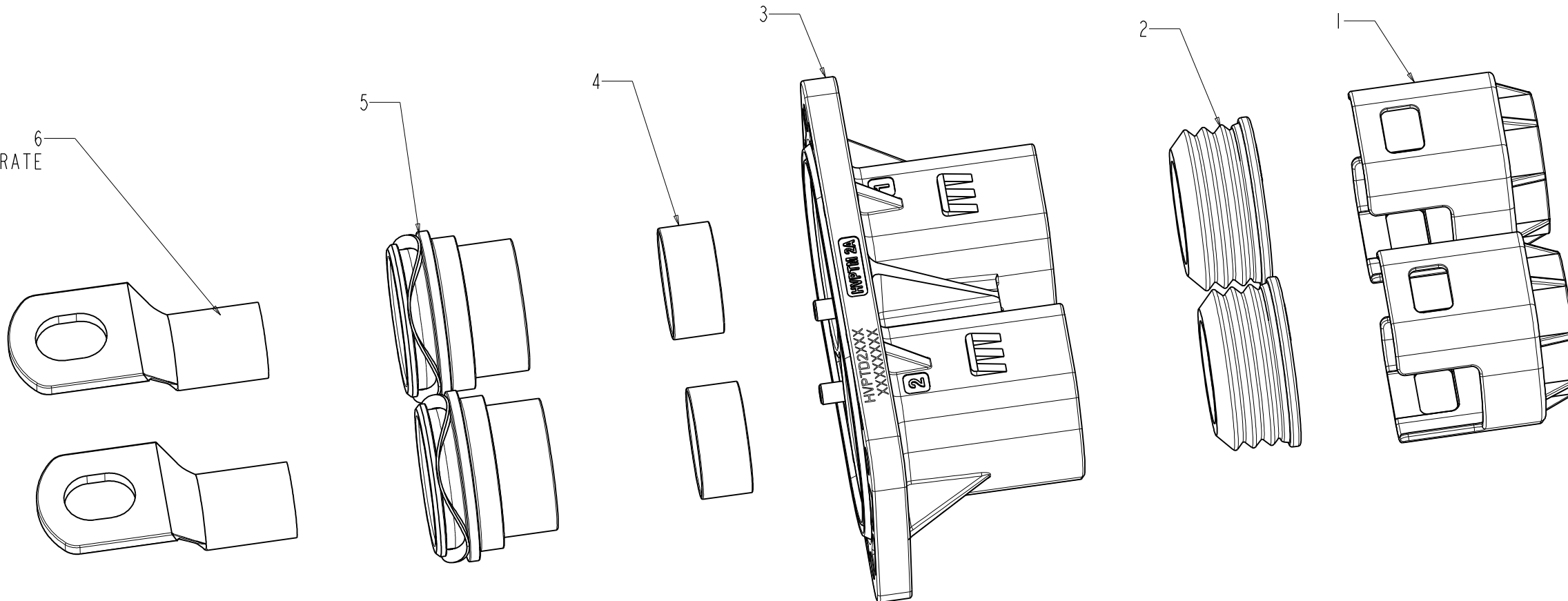


SECTION D-D

SIZE <b>A3</b>	DWG NO. <b>C-HVPTD2XXX</b>	REV <b>2</b>
SCALE: 1:1		SHEET 2 OF 4

C-HVPTD2XXX

NEED TO BUY SEPARATE



ITEM	P/N	DESCRIPTION	QTY
1	P01BP0033301	END CAP FOR 120mm <sup>2</sup> CABLE	2
	P01BP0033302	END CAP FOR 95mm <sup>2</sup> CABLE	
	P01BP0033303	END CAP FOR 70mm <sup>2</sup> CABLE	
2	P01BR00306	CABLE SEAL FOR 120mm <sup>2</sup> CABLE	2
	P01BR00307	CABLE SEAL FOR 95mm <sup>2</sup> CABLE	
	P01BR00423	CABLE SEAL FOR 70mm <sup>2</sup> CABLE	
3	P02B00011201	MAIN BODY FOR CODDING A	1
	P02B00011202	MAIN BODY FOR CODDING B	
4	P01BM02489	SHIELD RING FOR 120mm <sup>2</sup> CABLE	2
	P01BM02562	SHIELD RING FOR 95mm <sup>2</sup> CABLE	
	P01BM02563	SHIELD RING FOR 70mm <sup>2</sup> CABLE	
5	P02B00075401	SHIELD SHELL FOR 120mm <sup>2</sup> CABLE	2
	P02B00075402	SHIELD SHELL FOR 95mm <sup>2</sup> CABLE	
	P02B00075403	SHIELD SHELL FOR 70mm <sup>2</sup> CABLE	
6	P01BS00173	LUG FOR 120mm <sup>2</sup> CABLE (NEED TO BUY SEPARATE)	2
	P01BS00172	LUG FOR 95mm <sup>2</sup> CABLE (NEED TO BUY SEPARATE)	
	P01BS00254	LUG FOR 70mm <sup>2</sup> CABLE (NEED TO BUY SEPARATE)	

HVPTD 2 X 01/02/03

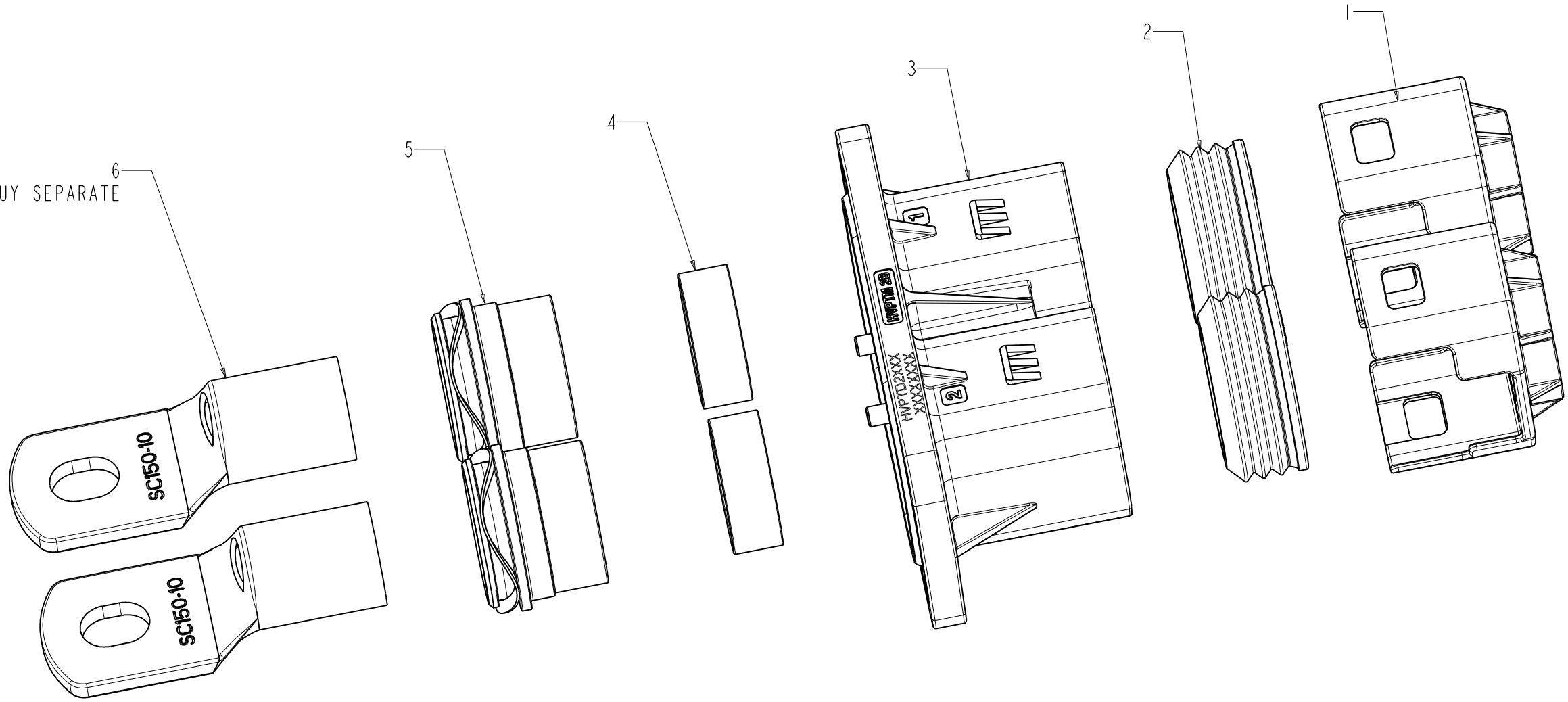
安费诺精密连接器(深圳)有限公司  
Amphenol PCD Shenzhen  
受控文件  
2025年1月14日

C-HVPTD2XXX

C-HVPTD2XXX

SIZE <b>A3</b>	DWG NO. <b>C-HVPTD2XXX</b>	REV <b>2</b>
SCALE: 1:1		SHEET 3 OF 4

NEED TO BUY SEPARATE



安费诺精密连接器(深圳)有限公司  
Amphenol PCD Shenzhen  
受控文件  
2025年1月14日

ITEM	P/N	DESCRIPTION	QTY
1	P01BP0055001	END CAP FOR 150mm <sup>2</sup> CABLE	2
2	P01BR00424	CABLE SEAL FOR 150mm <sup>2</sup> CABLE	2
3	P02B00076201	MAIN BODY FOR CODDING A	1
	P02B00076202	MAIN BODY FOR CODDING B	
4	P01BM02564	SHIELD RING FOR 150mm <sup>2</sup> CABLE	2
5	P02B000755	SHIELD SHELL FOR 150mm <sup>2</sup> CABLE	2
6	P01BS00223	LUG FOR 150mm <sup>2</sup> CABLE (NEED TO BUY SEPARATE)	2

HVPTD 2 X 04



SIZE <b>A3</b>	DWG NO. <b>C-HVPTD2XXX</b>	REV <b>2</b>
SCALE: 1:1		SHEET 4 OF 4