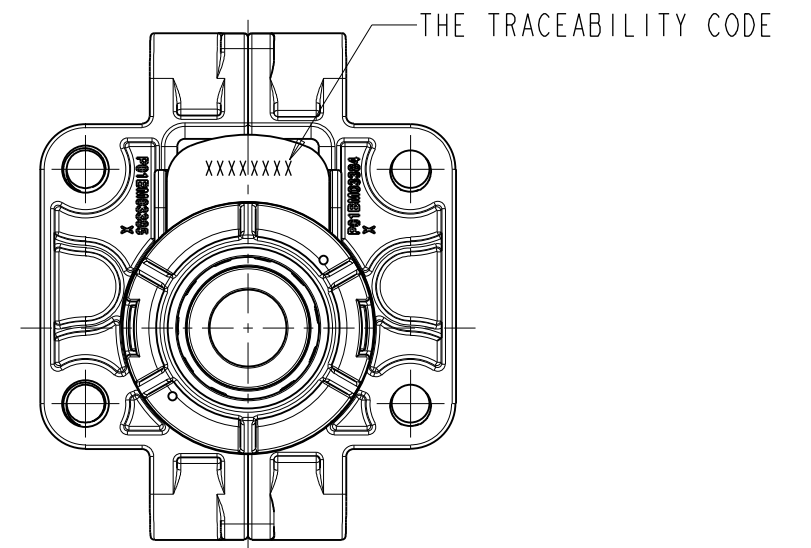
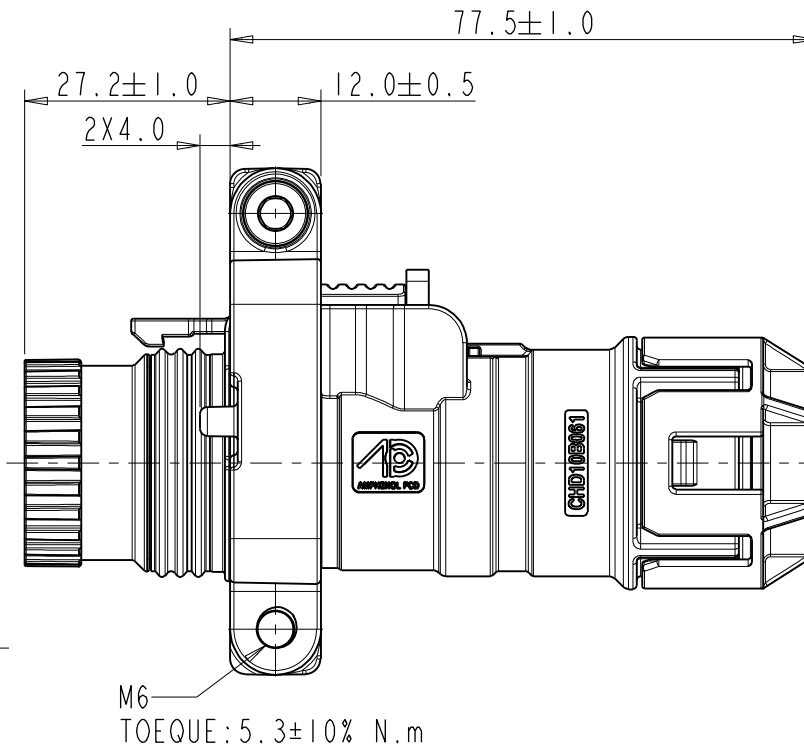
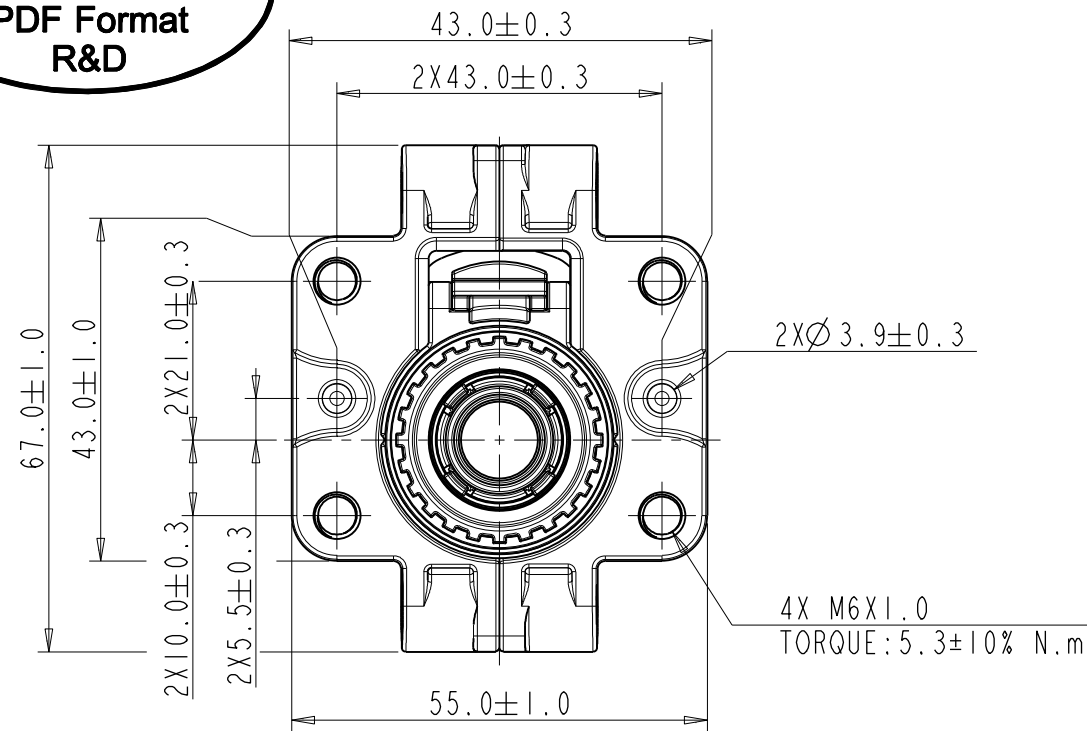


REV	ECN	DESCRIPTION	DATE	MODIFIED
1		RELEASE	Apr-01-2026	LEON.YANG

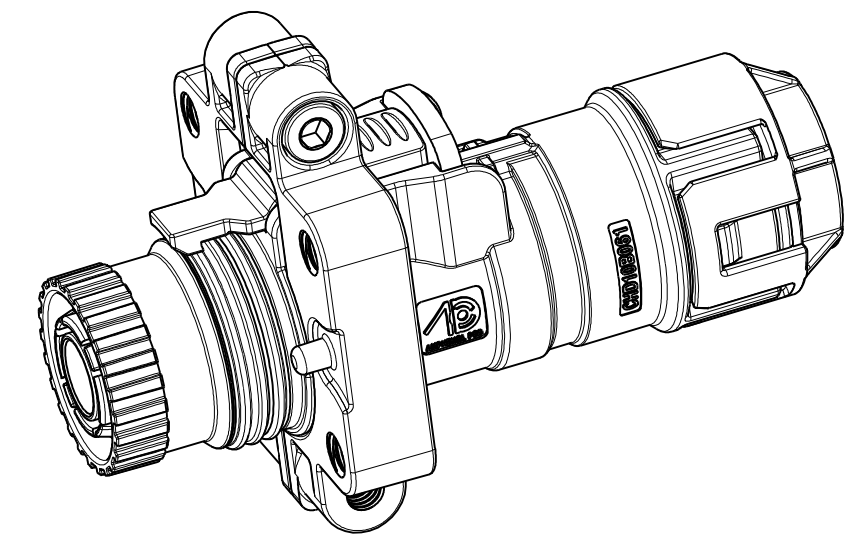
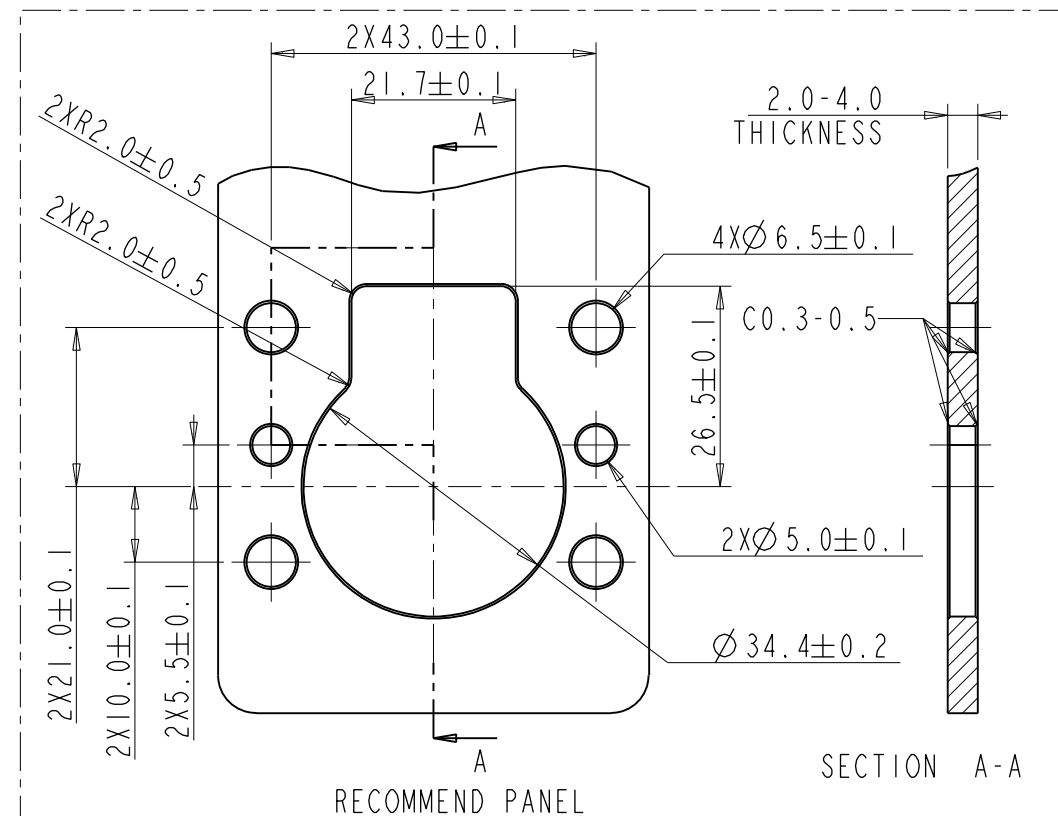
Amphenol PCDSZ
ORIGINAL
PDF Format
R&D



安费诺精密连接器(深圳)有限公司
Amphenol PCD Shenzhen
受控文件
2026年5月14日

C-CHD10C061X1XX

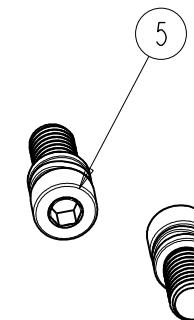
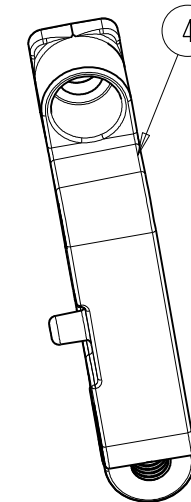
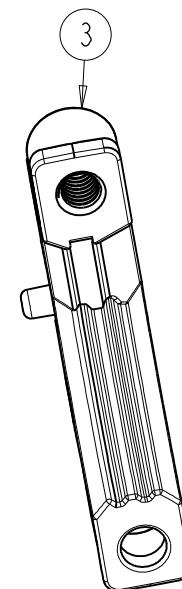
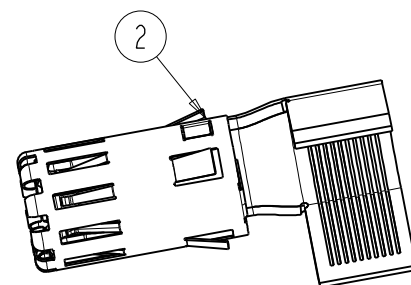
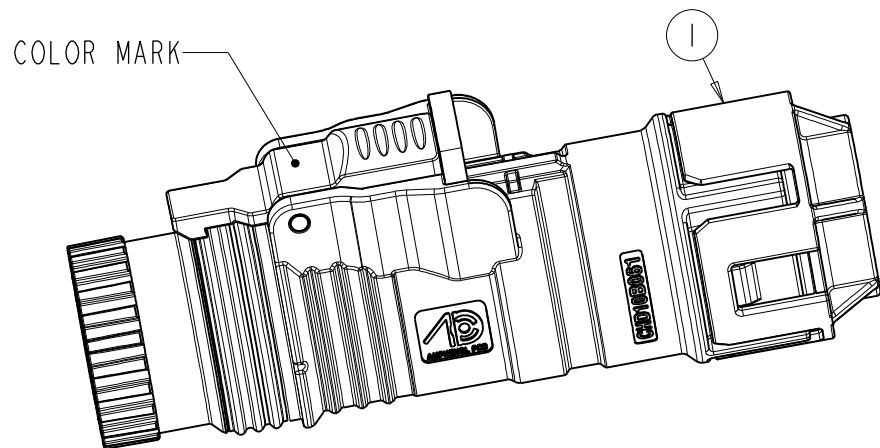
TECHNICAL DATA		
CURRENT RATE(70MM ² CABLE)	300A @ AMBIENT 70°C	
CURRENT RATE(50MM ² CABLE)	200A @ AMBIENT 70°C	+
CURRENT RATE(HVIL PIN)	5A @ AMBIENT 70°C	
RATING VOLTAGE(OVERVOLTAGE CATEGORY II, POLLUTION DEGREE 2)	1500V DC	+
OPERATING TEMPERATURE	-40°C TO 125°C	
DIELECTRIC WITHSTANDING VOLTAGE	POWER 4000V AC(RMS) HVIL 660V AC(RMS)	+
INSULATION RESISTANCE	200MΩ MIN. @25°C (NO CABLE)	+
DURABILITY	50 CYCLES	◎
SHIELDING	YES	
WATERPROOF (MATED CONDITION)	IP67, IP6K9K	+
IP2XB(UNMATED CONDITION)	YES	+
AMBIENT TEMPERATURE	-40°C TO 70°C	
RoHS & REACH	YES	+



C-CHD10C061X1XX

DIMENSIONS	TOLERANCES	PROJECTION	TITLE	
ANSI Y14.5M UNITS: MM Pro/E FILE	.X ±0.5 .XX ±0.05 ANGLES ±2°		Amphenol PCD Shenzhen	
ORIGINAL	THIS DOCUMENT CONTAINS PROPRIETARY INFORMATION WHICH IS THE CONFIDENTIAL PROPERTY OF Amphenol PCD Shenzhen Co. Ltd Amphenol PCD Shenzhen Co. Ltd RESERVES THE RIGHT TO CLARIFY THIS DRAWING	ENGR LEON.YANG Apr-01-2026	SIZE A3	DWG NO. C-CHD10C061X1XX
		CHKD Sembao APPD Derek	REV 1	SCALE: 1:1 SHEET 1 OF 2

✦ CRITICAL CHARACTERISTICS
◎ IMPORTANT CHARACTERISTICS



PART DESCRIPTION

CHD10 C 061 X 1 XX (ATTENTION:DO NOT ORDER THIS MATERIAL NUMBER DIRECTLY.)

CODE	KEY & COLOUR MARK	CODE	DESCRIPTION	ITEM 2
A	KEY A & RED	01	70mm ² SHIELDED CABLE OD=17.8±0.4mm(LV216)	P0IBS0080501
B	KEY B & BLACK	02	50mm ² SHIELDED CABLE OD=15.5±0.3mm(LV216)	P0IBS0080502
		I	WITH HVIL	

ITEM 1	PART NO.	DESCRIPTION
	CHD10B061B102	KEY B & BLACK, WITH HVIL, 50mm ² SHIELDED CABLE OD=15.5±0.3mm(LV216)
	CHD10B061B101	KEY B & BLACK, WITH HVIL, 70mm ² SHIELDED CABLE OD=17.8±0.4mm(LV216)
	CHD10B061A102	KEY A & RED, WITH HVIL, 50mm ² SHIELDED CABLE OD=15.5±0.3mm(LV216)
	CHD10B061A101	KEY A & RED, WITH HVIL, 70mm ² SHIELDED CABLE OD=17.8±0.4mm(LV216)

ASM P/N	ITEM	PART NO.	DESCRIPTION	Q'TY	HOW TO ORDER
CHD10C061X1XX	5	P0IBN00628	SCREW	2	PUECHASE SEPARATELY
	4	P0IBM03385	RIGHT BLOCK	1	
	3	P0IBM03384	LEFT BLOCK	1	
	2	SEE TABLE	CONTACT	1	
	1	SEE TABLE	CHD10B061 PLUG	1	

SIZE A3	DWG NO. C-CHD10C061X1XX	REV 1
SCALE: 1:1		SHEET 2 OF 2