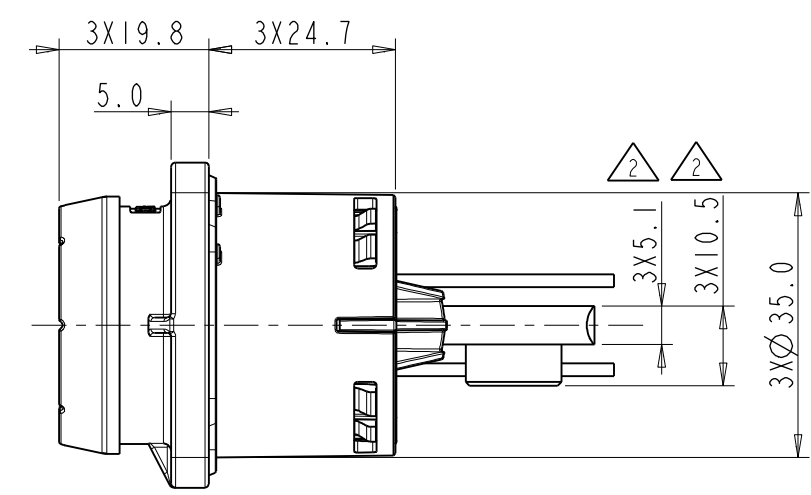
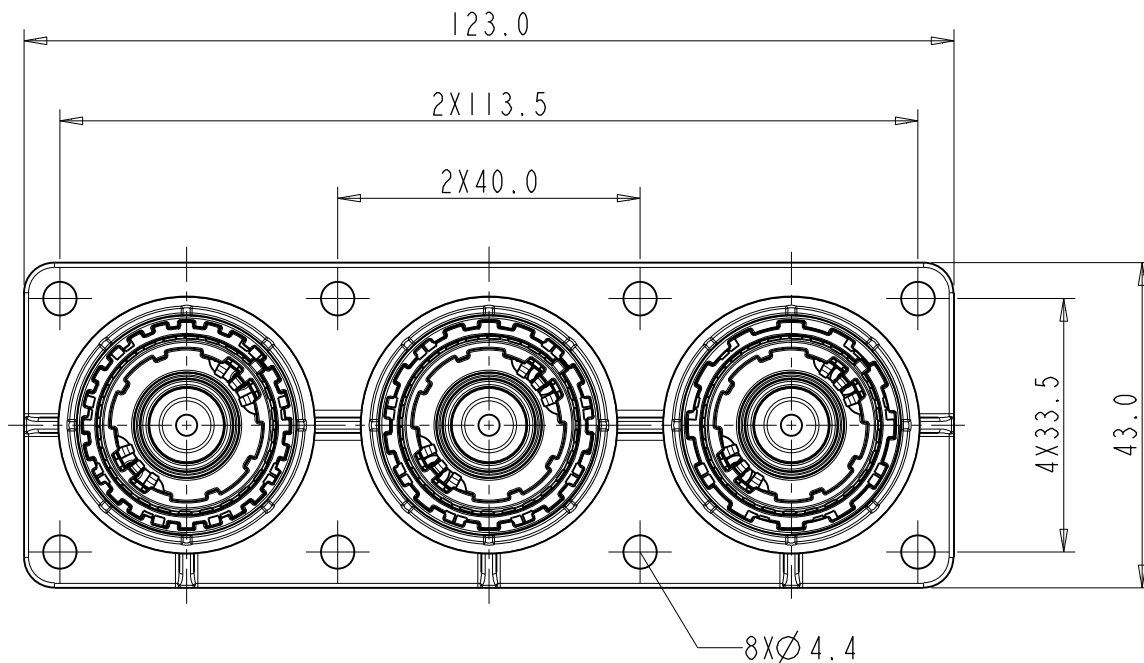


Amphenol PCDSZ
ORIGINAL
PDF Format
R&D

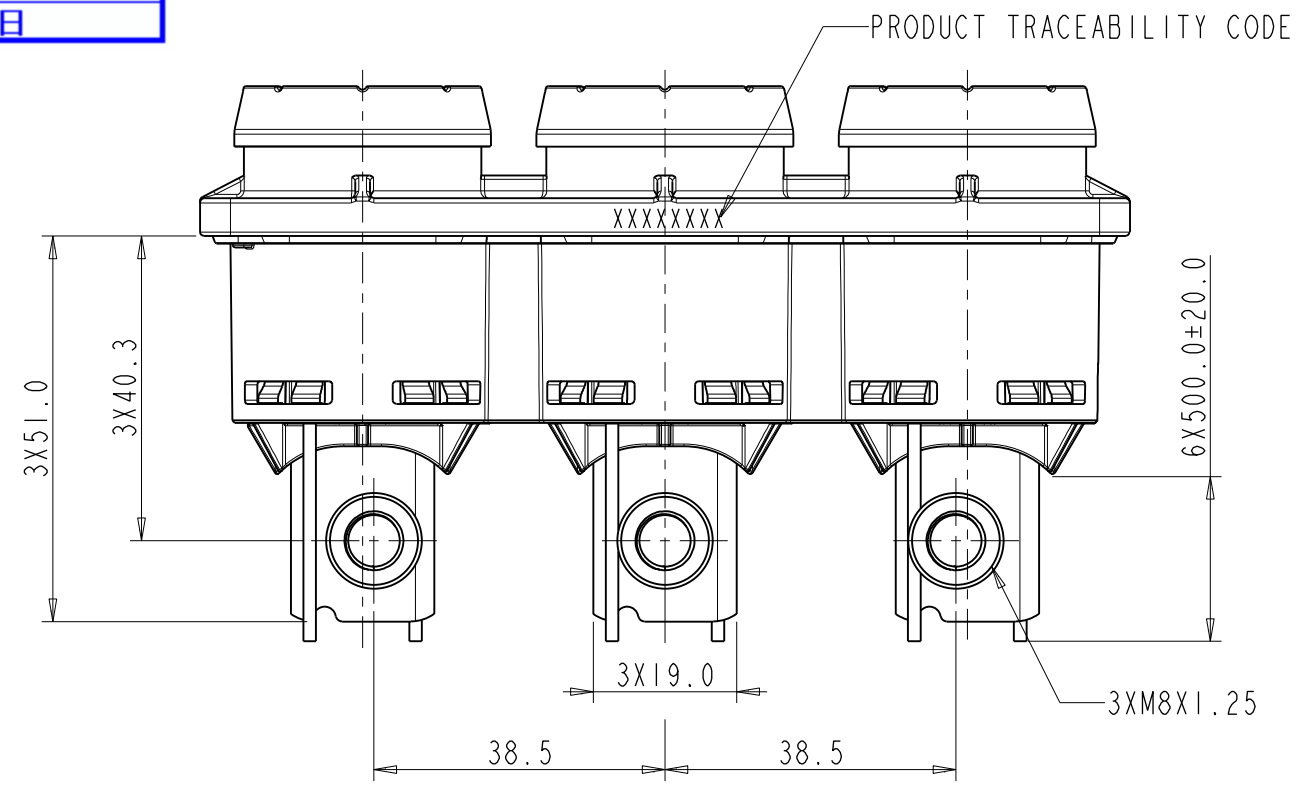
REV	ECN	DESCRIPTION	DATE	MODIFIED
1		PRE- RELEASE	Oct-14-2025	
2	R09827	CHANGE THE STRUCTURE AND RATED VOLTAGE	Dec-15-2025	



安费诺精密连接器(深圳)有限公司
Amphenol PCD Shenzhen
受控文件
2026年1月13日

2. TECHNICAL DATA TABLE

TECHNICAL DATA		
CURRENT RATE	330A @ AMBIENT 70°C	+
RATING VOLTAGE (OVERVOLTAGE CATEGORY II POLLUTION DEGREE 2)	1000V DC	+ 2
OPERATING TEMPERATURE	-40 TO 125°C	
DIELECTRIC WITHSTANDING VOLTAGE	3000V AC(RMS)	+ 2
INSULATION RESISTANCE	200MΩ MIN. @25°C	+
DURABILITY	50 CYCLES	◎
SHIELDING	YES	
WATERPROOF (UNMATED CONDITION)	IP67, IP6K9K	+
PROTECTION LEVEL (UNMATED)	IP2XB	+
AMBIENT TEMPERATURE	-40 TO 70°C	
RoHS&REACH	YES	+



1. NOTES:

- MATERIAL & FINISH:
BODY: ALUMINUM ALLOY, PASSIVATION SALT SPRAY MEETS 720H.
POWER CONTACT: COPPER ALLOY SILVER PLATED
HVIL CONTACTS: COPPER ALLOY AU PLATED
SEAL RING: SR
- THE FLANGE IS LOCKED WITH M4 BOLTS, AND THE LOCKING TORQUE IS 3.0±10%N.M (REFERENCE STANDARD: DIN-EN20273)
- THE COPPER BAR IS LOCKED WITH M6 BOLTS, AND THE LOCKING TORQUE IS 13.4±10%N.M (REFERENCE STANDARD: NFF 61-017)

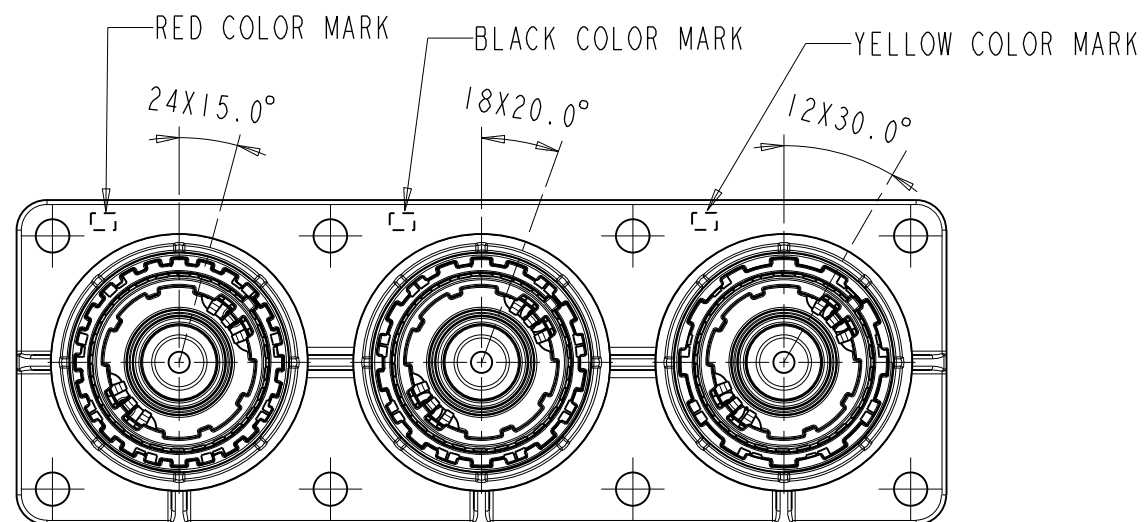
+ : CRITICAL CHARACTERISTICS
◎ : IMPORTANT CHARACTERISTICS

DIMENSIONS	TOLERANCES	PROJECTION	TITLE		
ANSI Y14.5M UNITS: MM Pro/E FILE	.X ±0.5 .XX ±0.05 ANGLES ±2°		RECEPTACLE ASSEMBLY		
ORIGINAL	THIS DOCUMENT CONTAINS PROPRIETARY INFORMATION WHICH IS THE CONFIDENTIAL PROPERTY OF Amphenol PCD Shenzhen Co. Ltd Amphenol PCD Shenzhen Co. Ltd RESERVES THE RIGHT TO CLARIFY THIS DRAWING	CHKD APPD			
			SCALE: 1:1		SHEET 1 OF 2

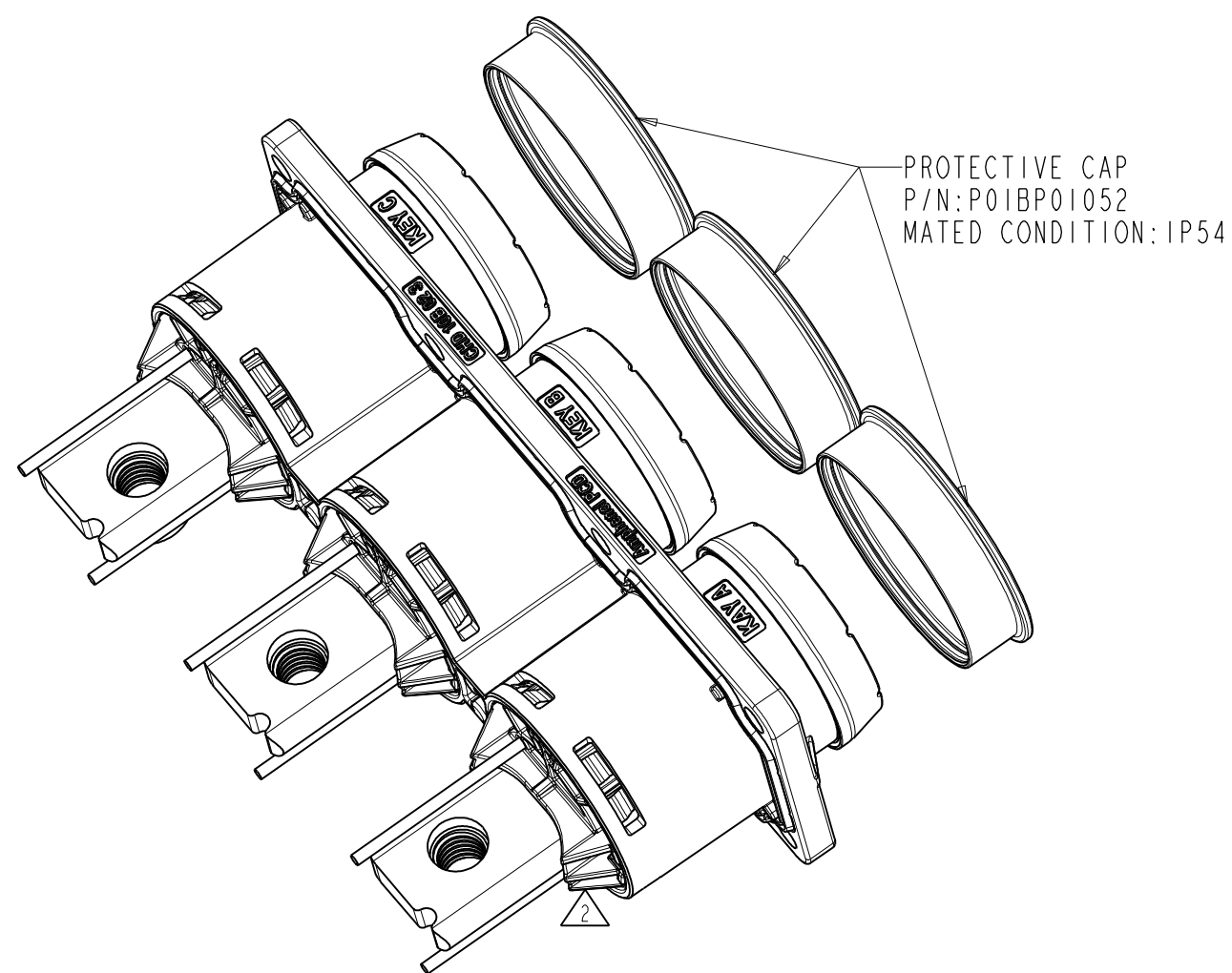
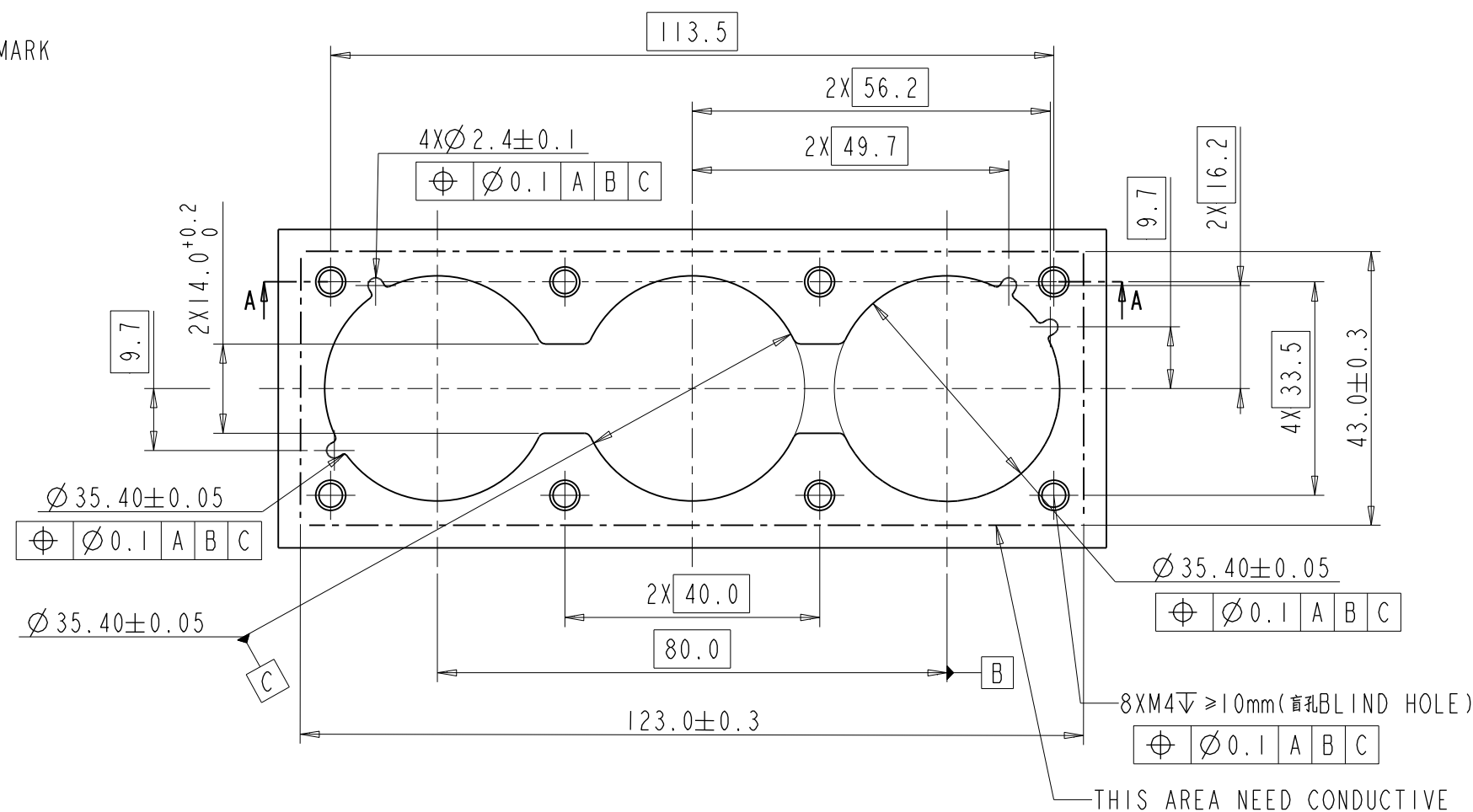
C-CHD10B023XX01

C-CHD10B023XX01

3. KEY POSITIONS AND EMBOSSING AREAS



4. PANEL SPECIFICATION



5. CODEING DESCRIPTION

CHD 10B 02 3 X X 01

CODE	DESCRIPTION
A	KEY A+KEY B+KEY C

CODE	DESCRIPTION
1	WITH HVIL&HVIL CABLE
0	WITHOUT HVIL&HVIL CABLE

CODE	DESCRIPTION
01	M8X1.25 BUSBAR

SIZE	DWG NO.	REV
A3	C-CHD10B023XX01	2
SCALE: 1:1		SHEET 2 OF 2

C-CHD10B023XX01

C-CHD10B023XX01