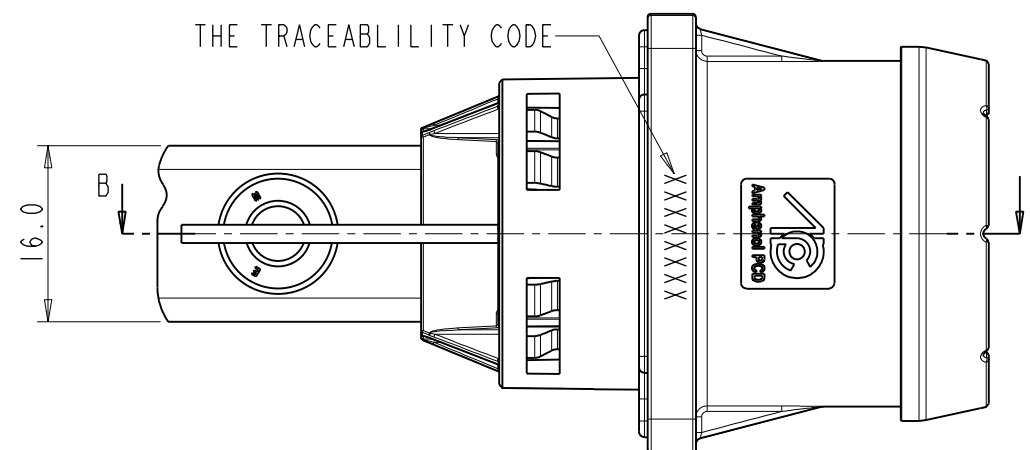
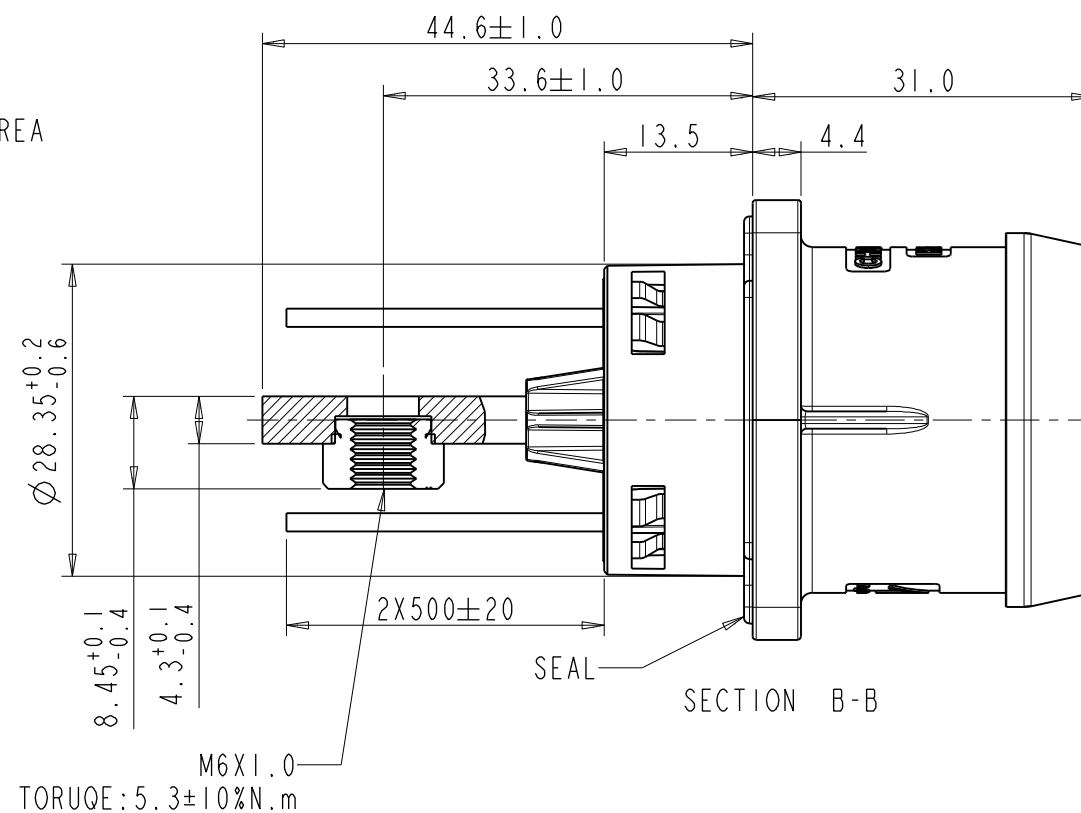
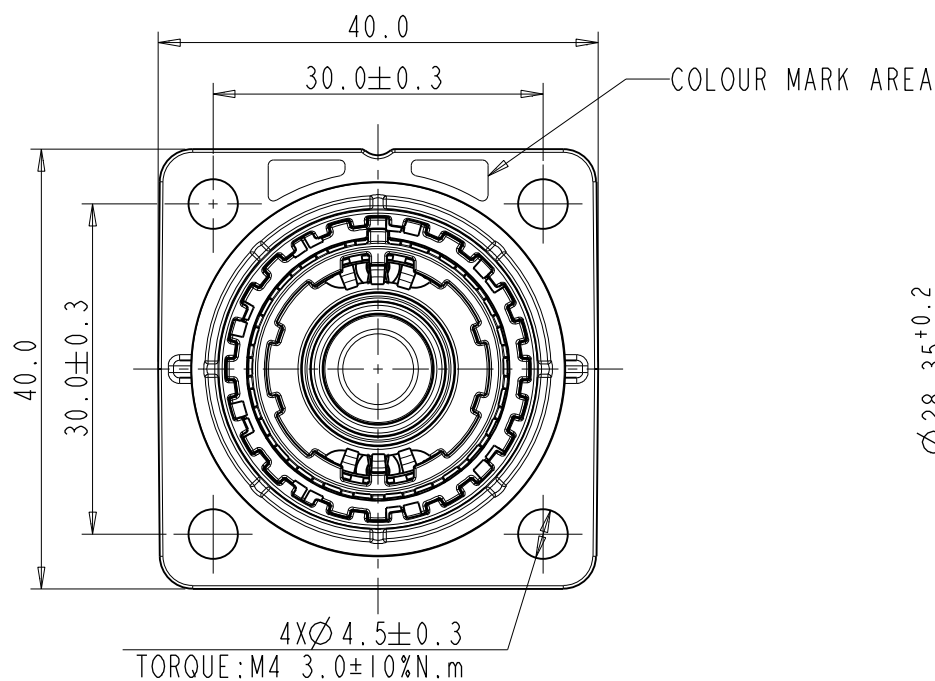


REV	ECN	DESCRIPTION	DATE	MODIFIED
1		RELEASE	Nov-06-2025	

Amphenol PCDSZ  
ORIGINAL  
PDF Format  
R&D



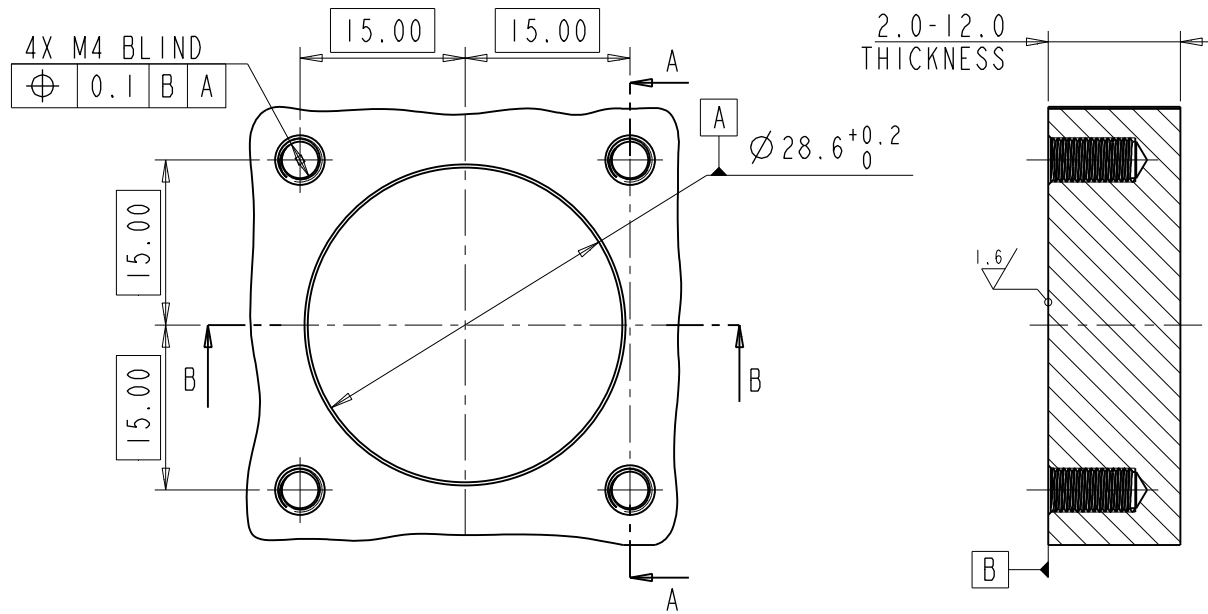
TECHNICAL DATA		
CURRENT RATE (70mm <sup>2</sup> COPPER BAR)	300A @ AMBIENT 70°C	+
CURRENT RATE (0.5mm <sup>2</sup> CABLE)	5A @ AMBIENT 70°C	+
RATING VOLTAGE (OVERVOLTAGE CATEGORY II POLLUTION DEGREE 2)	1500V DC	+
OPERATING TEMPERATURE	-40 TO 125°C	
DIELECTRIC WITHSTANDING VOLTAGE	POWER 4000V AC(RMS)	+
	HVIL 660V AC(RMS)	
INSULATION RESISTANCE	200MΩ MIN. @25°C (NO CABLE)	+
DURABILITY	50 CYCLES	◎
SHIELDING	YES	
WATERPROOF (MATED CONDITION)	IP67, IP6K9K	+
IP2XB	YES	+
AMBIENT TEMPERATURE	-40 TO 70°C	
RoHS	YES	+
NEUTRAL SPRAY TEST	720H	

★ CRITICAL CHARACTERISTICS  
◎ IMPORTANT CHARACTERISTICS

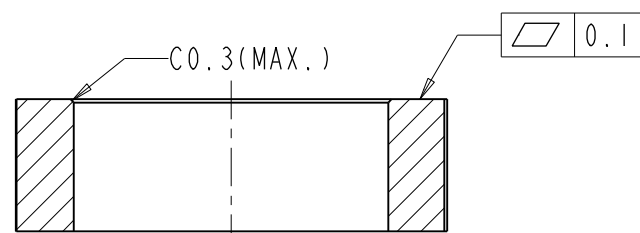
DIMENSIONS	TOLERANCES	PROJECTION	TITLE		
ANSI Y14.5M UNITS: MM Pro/E FILE	.X ±0.5 .XX ±0.05 ANGLES ±2°		Amphenol PCD Shenzhen		
ORIGINAL	THIS DOCUMENT CONTAINS PROPRIETARY INFORMATION WHICH IS THE CONFIDENTIAL PROPERTY OF Amphenol PCD Shenzhen Co. Ltd Amphenol PCD Shenzhen Co. Ltd RESERVES THE RIGHT TO CLARIFY THIS DRAWING	ENGR Nov-06-2025	CHD10B021 RECEPTACLE		
			CHKD APPD	SIZE A3	DWG NO. C-CHD10B021XX01
			SCALE: 1:1	SHEET 1 OF 3	

C-CHD10B021XX01

C-CHD10B021XX01



SECTION A-A



SECTION B-B

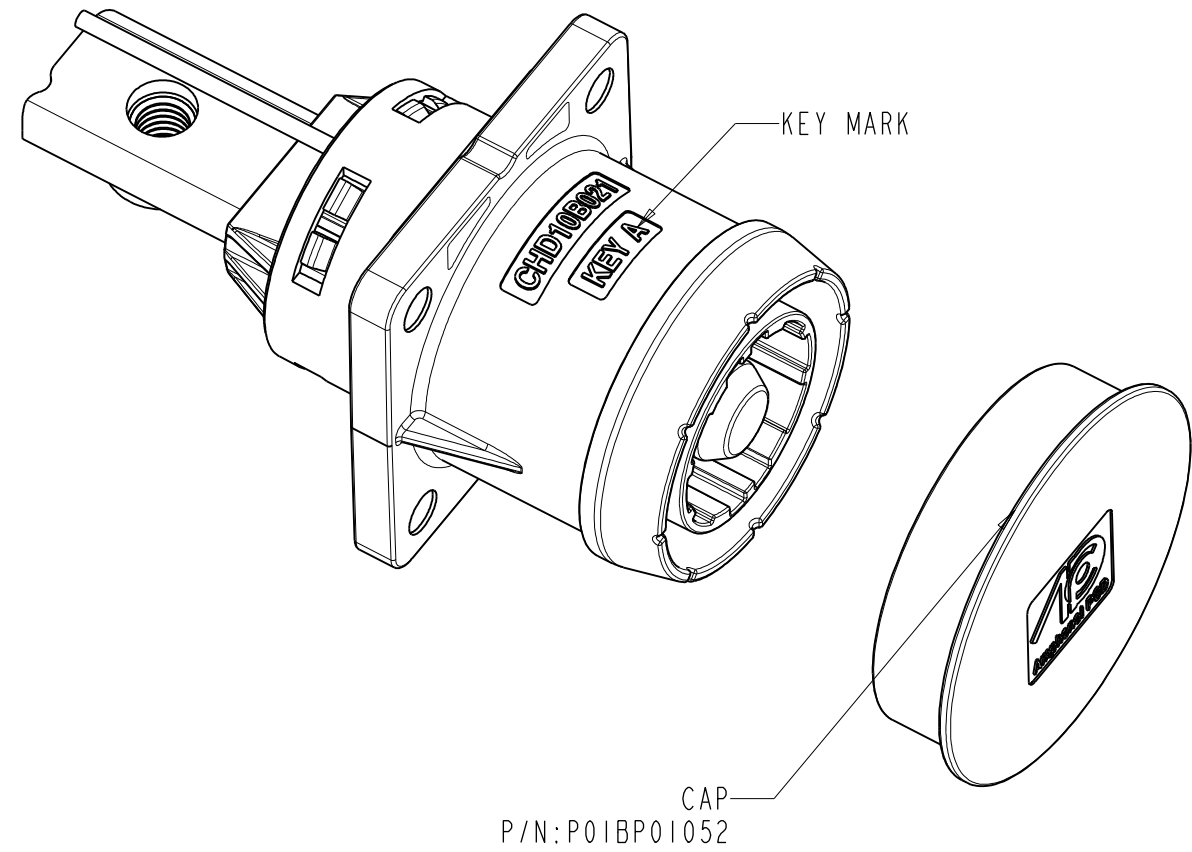
RECOMMENDED MOUNTING PLATE

HOW TO ORDER

CHD 10 B 02 1 X X 01

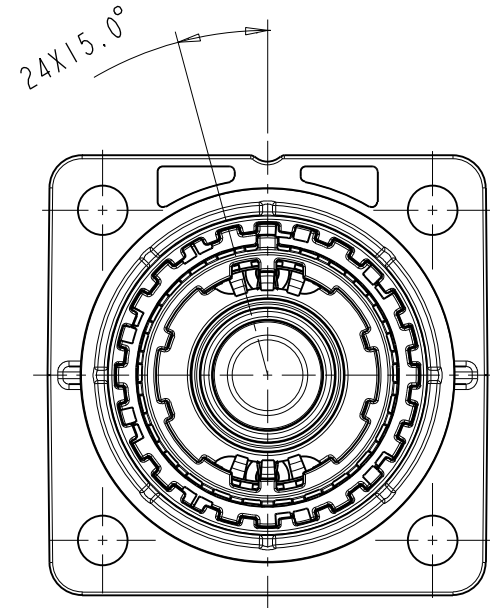
M6 SCREW

CODE	KEY MARK	COLOUR	CODE	DESCRIPTION
A	KEY A	RED	0	WITHOUT HVIL
B	KEY B	BLACK	1	WITH HVIL
C	KEY C	YELLOW		
D	KEY D	GREEN		
E	KEY E	BLUE		
F	KEY F	PURPLE		

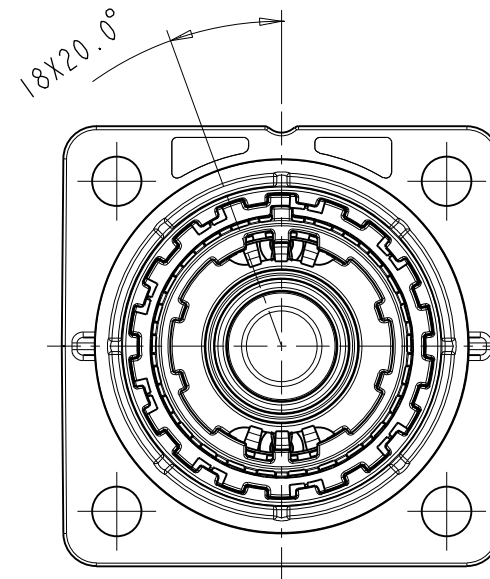


C-CHD10B021XX01

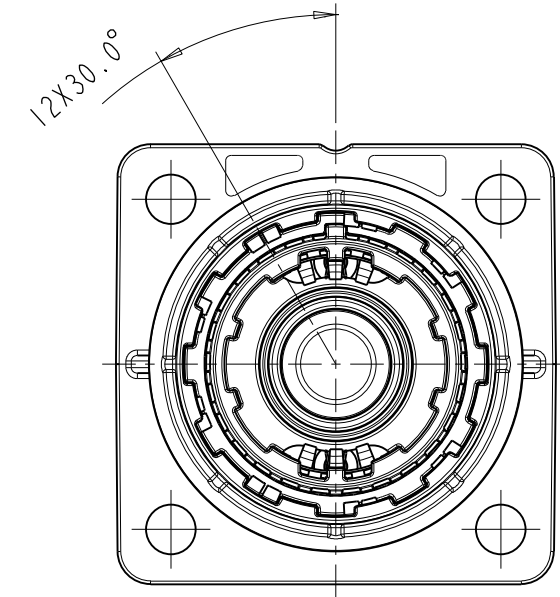
KEY A



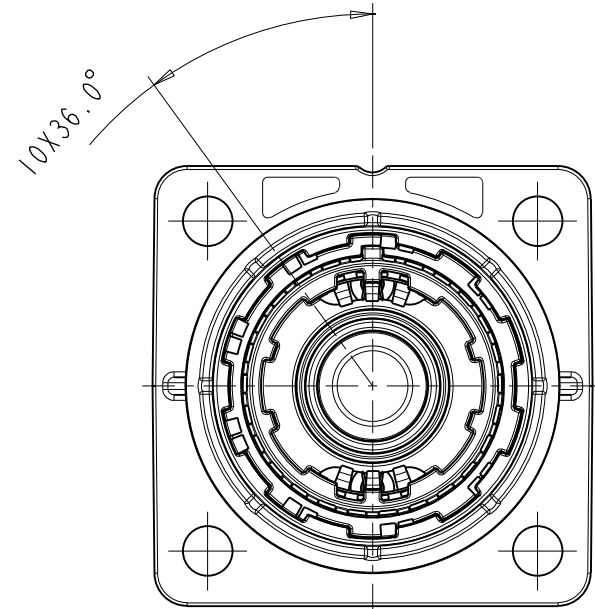
KEY B



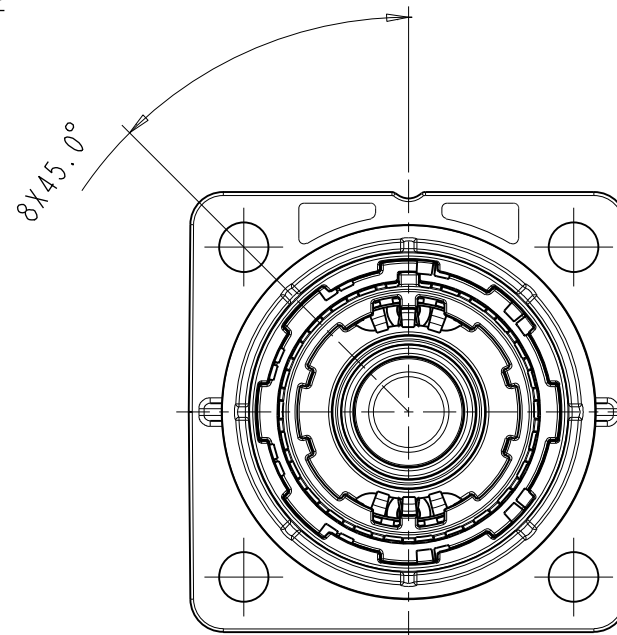
KEY C



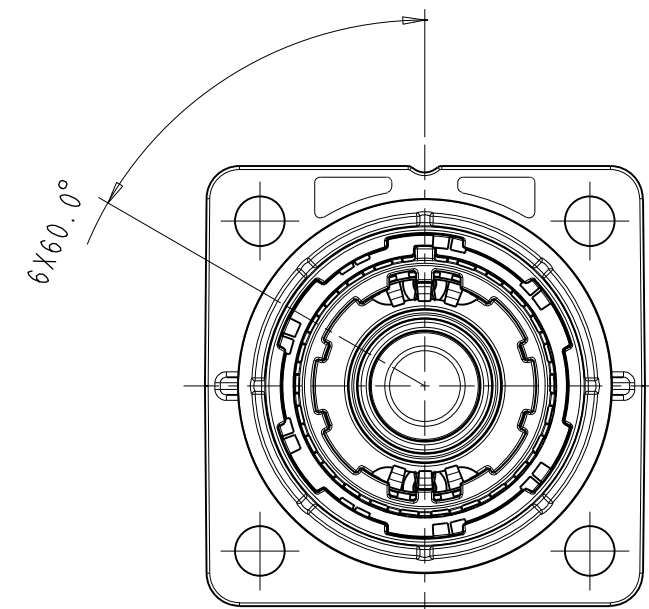
KEY D



KEY E



KEY F



安费诺精密连接器(深圳)有限公司  
Amphenol PCD Shenzhen

受控文件

2025年11月17日

C-CHD10B021XX01

C-CHD10B021XX01

SIZE	DWG NO.	REV
A3	C-CHD10B021XX01	1
SCALE: 3:2		SHEET 3 OF 3