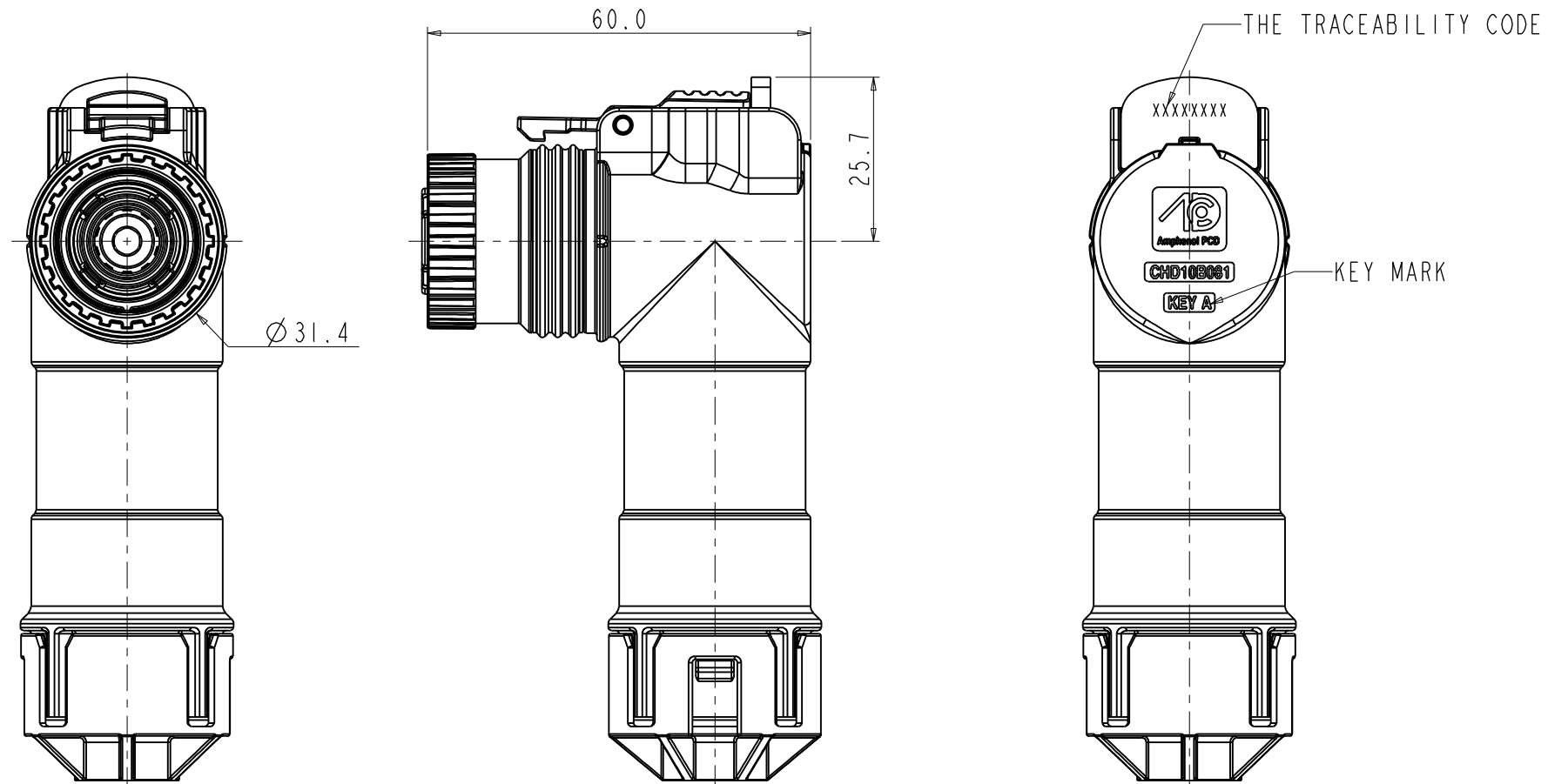
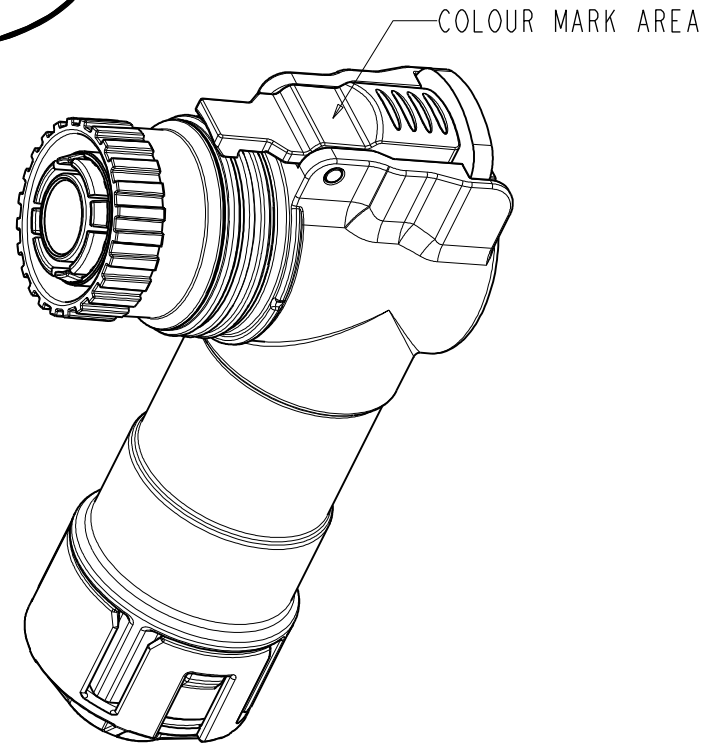


REV	ECN	DESCRIPTION	DATE	MODIFIED
1		RELEASE	Sep-29-2025	

Amphenol PCDSZ  
ORIGINAL  
PDF Format  
R&D



TECHNICAL DATA

CURRENT RATE (70MM <sup>2</sup> TINNED CABLE)	300A @ AMBIENT 70°C	+
CURRENT RATE (70MM <sup>2</sup> BARE COPPER CABLE)	250A @ AMBIENT 70°C	+
CURRENT RATE (50MM <sup>2</sup> CABLE)	200A @ AMBIENT 70°C	+
CURRENT RATE (35MM <sup>2</sup> CABLE)	150A @ AMBIENT 70°C	+
RATING VOLTAGE (OVERVOLTAGE CATEGORY II POLLUTION DEGREE 2)	1500V DC	+
OPERATING TEMPERATURE	-40 TO 125°C	
DIELECTRIC WITHSTANDING VOLTAGE	4000V AC(RMS)	+
INSULATION RESISTANCE	200M $\Omega$ MIN.@25°C	+
DURABILITY	50 CYCLES	◎
SHIELDING	YES	
WATERPROOF (MATED CONDITION)	IP67, IP6K9K	+
PROTECTION LEVEL (UNMATED)	IP2XB	+
AMBIENT TEMPERATURE	-40 TO 70°C	
RoHS & REACH	YES	+
NEUTRAL SPRAY TEST	720H	

+ CRITICAL CHARACTERISTICS  
◎ IMPORTANT CHARACTERISTICS

安费诺精密连接器(深圳)有限公司  
Amphenol PCD Shenzhen  
受控文件  
2025年11月17日

DIMENSIONS	TOLERANCES	PROJECTION	TITLE		
ANSI Y14.5M UNITS: MM Pro/E FILE	.X ±0.5 .XX ±0.05 ANGLES ±2°		Amphenol PCD Shenzhen		
ORIGINAL	THIS DOCUMENT CONTAINS PROPRIETARY INFORMATION WHICH IS THE CONFIDENTIAL PROPERTY OF Amphenol PCD Shenzhen Co. Ltd Amphenol PCD Shenzhen Co. Ltd RESERVES THE RIGHT TO CLARIFY THIS DRAWING	CHKD	SIZE	DWG NO.	REV
		APPD	A3	C-CHD10B081X1XX	1
			SCALE: 1:1	SHEET 1 OF 3	

C-CHD10B081X1XX

C-CHD10B081X1XX

HOW TO ORDER

CHD10B081 X I XX

CABLE SIZE OPTION:

KEY & COLOR CODE:

CODE	DESCRIPTION	I# MAIN BODY & WITH HVIL
A	KEY A, RED	P02B00111301
B	KEY B, BLACK	P02B00111302
C	KEY C, YELLOW	P02B00111303
D	KEY D, GREEN	P02B00111304
E	KEY E, BLUE	P02B00111305
F	KEY F, PURPLE	P02B00111306

INTERLOCK CODE:

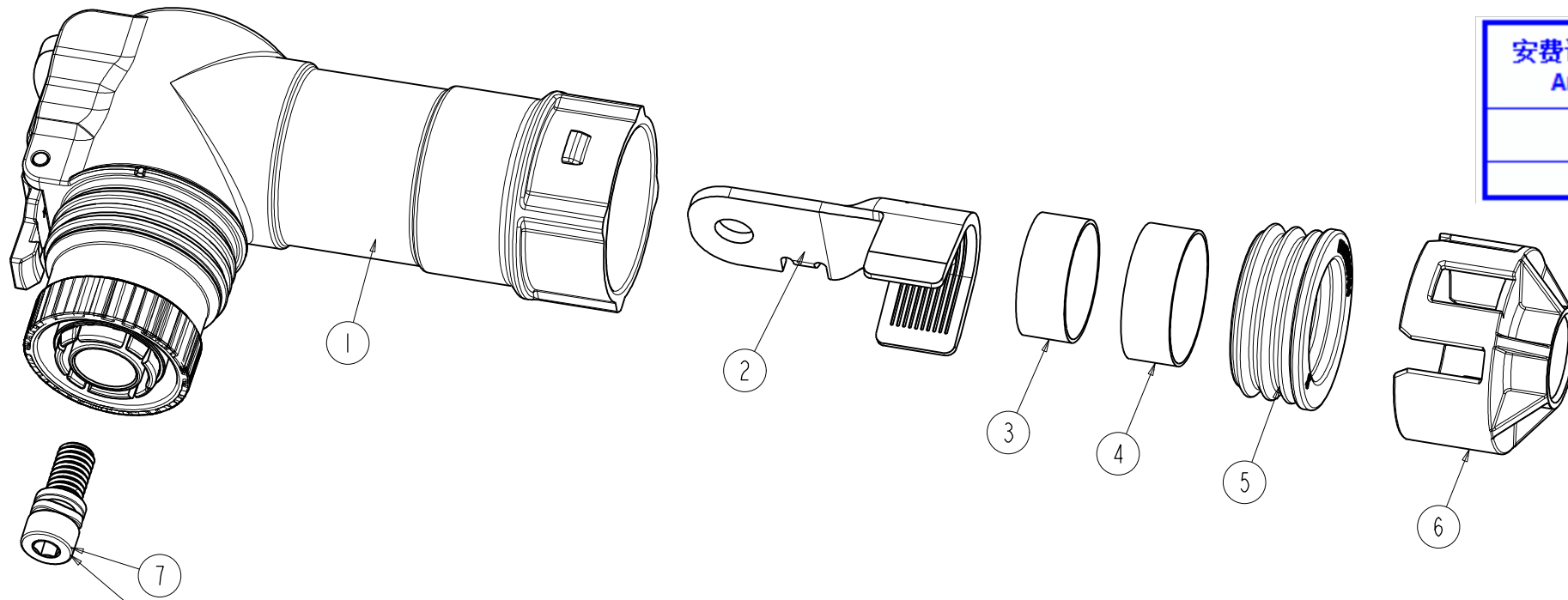
CODE	DESCRIPTION
I	WITH HVIL

TABLE 2

CODE	DESCRIPTION	3#	4#	5#	6#
01	70mm <sup>2</sup> (LV216) WIRE OD=17.8±0.4mm	P01BM00641	P01BM00640	P01BR00704	P01BP0092301
02	50mm <sup>2</sup> (LV216) WIRE OD=15.5±0.3mm	P01BM00614	P01BM00613	P01BR00705	P01BP0092302
03	70mm <sup>2</sup> (H&S) WIRE OD=17.0±0.3mm	P01BM02131	P01BM02132	P01BR00706	P01BP0092303
04	50mm <sup>2</sup> (H&S) WIRE OD=14.9±0.3mm	P01BM02133	P01BM02134	P01BR01029	P01BP0092304
05	35mm <sup>2</sup> (H&S) WIRE OD=12.7±0.3mm	P01BM02135	P01BM02136	P01BR01030	P01BP0092305
06	35mm <sup>2</sup> (LV216) WIRE OD=14.1±0.3mm	P01BM02277	P01BM02276	P01BR01090	P01BP0092306

C-CHD10B081X1XX

C-CHD10B081X1XX



TORQUE 5.3±10% N.m

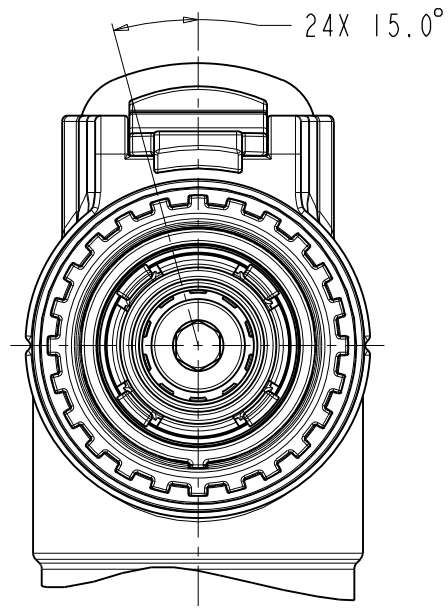
安费诺精密连接器(深圳)有限公司  
Amphenol PCD Shenzhen  
受控文件  
2025年11月17日

7	P01BN00628	M6 SCREW	1
6	SEE TABLE 2	END CAP	1
5	SEE TABLE 2	CABLE SEALING	1
4	SEE TABLE 2	OUTER SHIELD RING	1
3	SEE TABLE 2	INNER SHIELD RING	1
2	P01BS0037002	50~35mm <sup>2</sup> POWER PIN	1
	P01BS0037001	70mm <sup>2</sup> POWER PIN	1
1	SEE TABLE 1	MAIN BODY	1
ITEM	COMPONENT P/N	DESCRIPTION	Q'TY

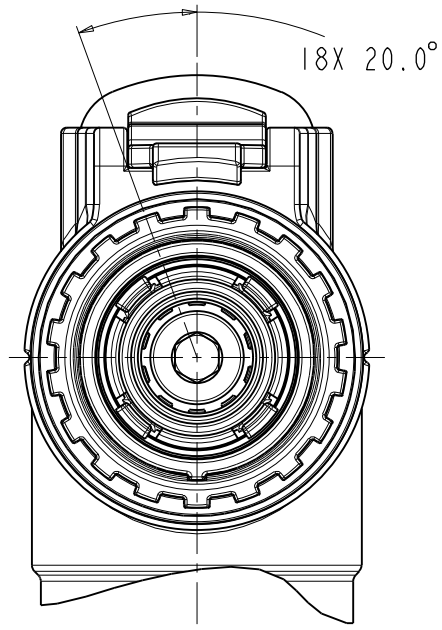
SIZE	DWG NO.	REV
A3	C-CHD10B081X1XX	1
SCALE: 1:1		SHEET 2 OF 3

C-CHD10B081X1XX

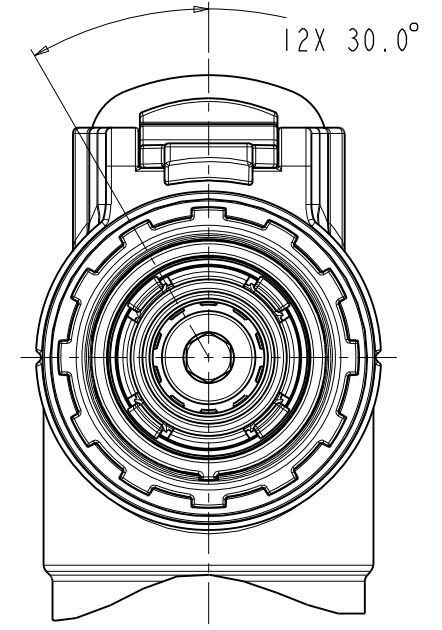
KEY A



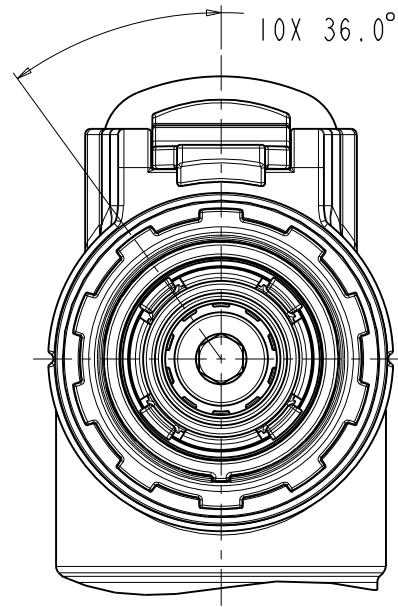
KEY B



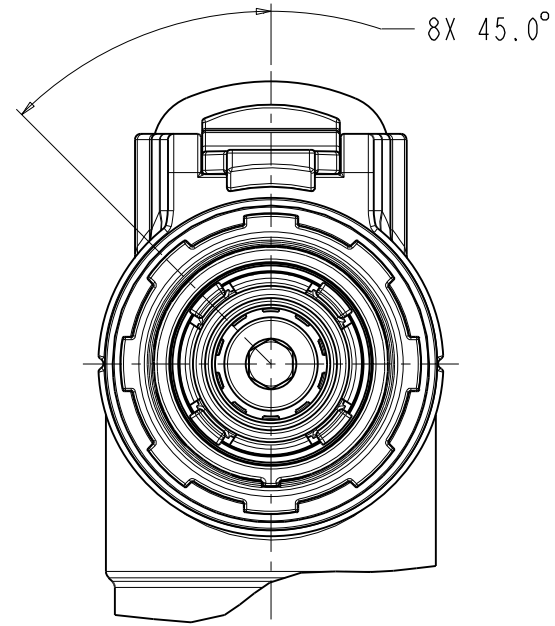
KEY C



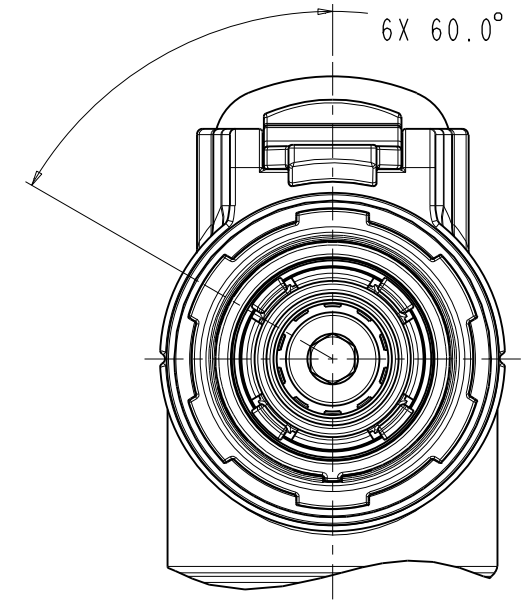
KEY D



KEY E



KEY F



C-CHD10B081X1XX

C-CHD10B081X1XX

安费诺精密连接器(深圳)有限公司  
Amphenol PCD Shenzhen

受控文件

2025年11月17日

SIZE	DWG NO.	REV
A3	C-CHD10B081X1XX	1
SCALE: 3:2		SHEET 3 OF 3