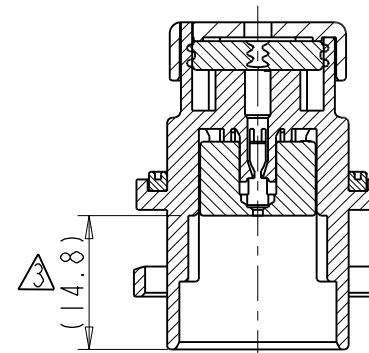
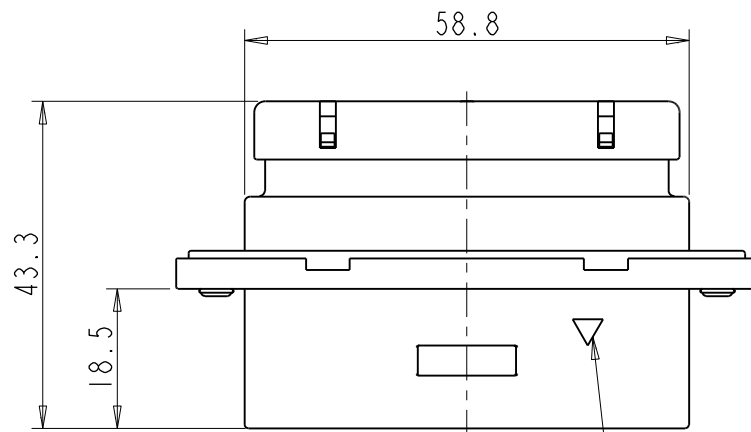
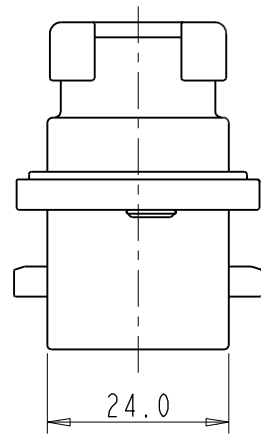
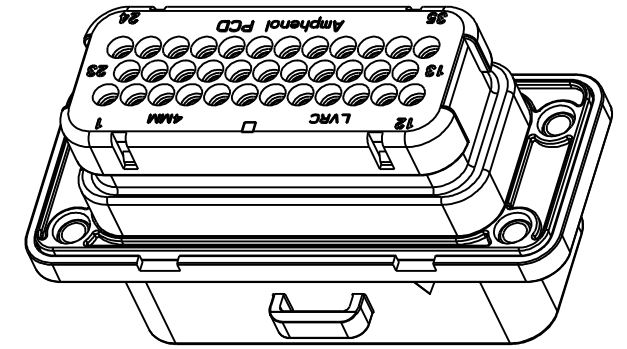
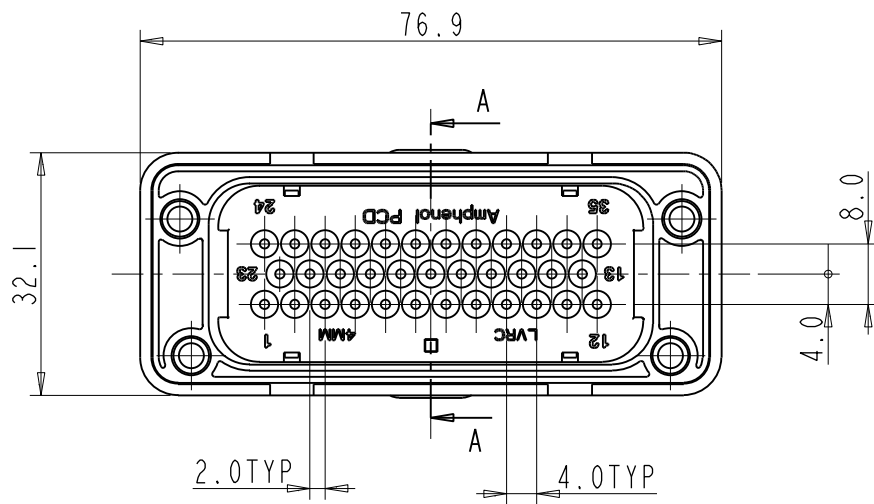
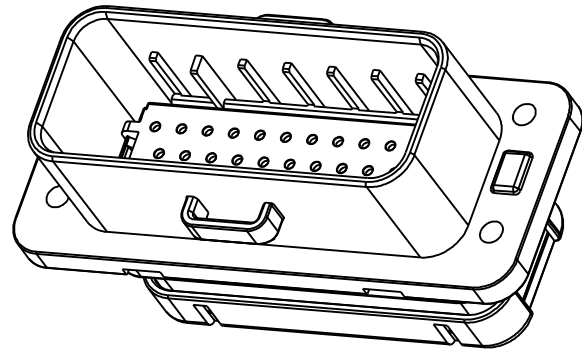


Amphenol PCD SZ  
ORIGINAL  
PDF Format  
R&D

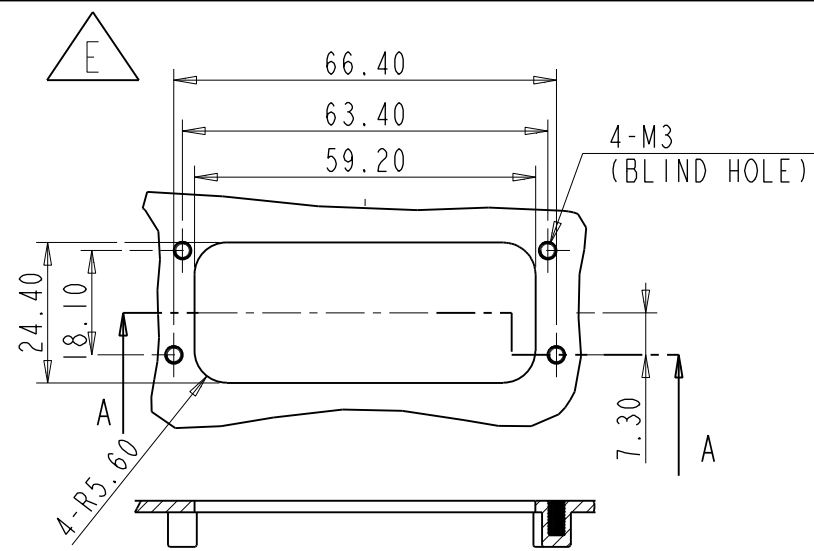
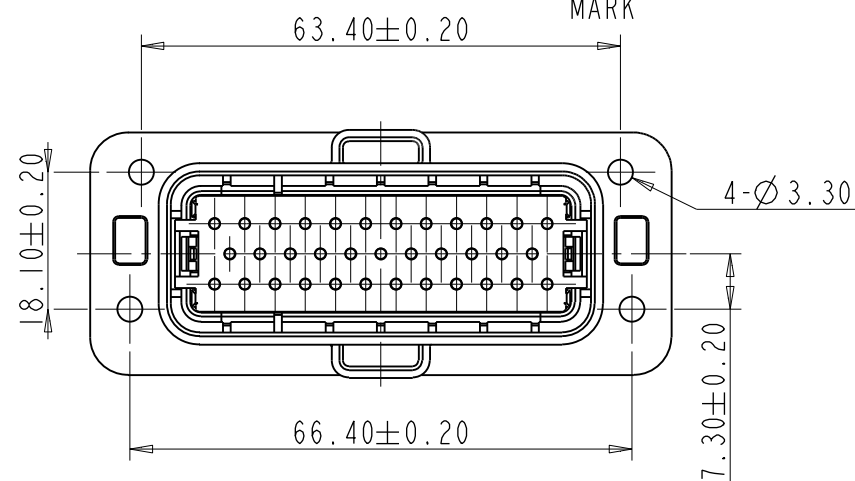
安费诺精密连接器(深圳)有限公司  
Amphenol PCD Shenzhen  
受控文件  
2026年5月26日

C-LVRCM35SCF

REV	ECN	DESCRIPTION	DATE	MODIFIED
A	C2389	RELEASE	Aug-31-2017	
B	C2533	REVISE NOTE 1	Nov-07-2017	
C	C2656	SEE DETAIL NOTE 5	Jan-24-2018	
D	R8300W	THE CRIMPING RANGE OF CONTACT CABLE IS REDUCED, SEE NOTE 1 FOR DETAILS	Jul-18-2024	
E	C09379	CORRECT THE ERROR IN THE PANEL HOLE SIZE	Jul-16-2025	
F	C10318	UPDATE THE PLACEMENT POSITIONS OF THE EXPLOSIVE DRAWINGS	May-19-2026	



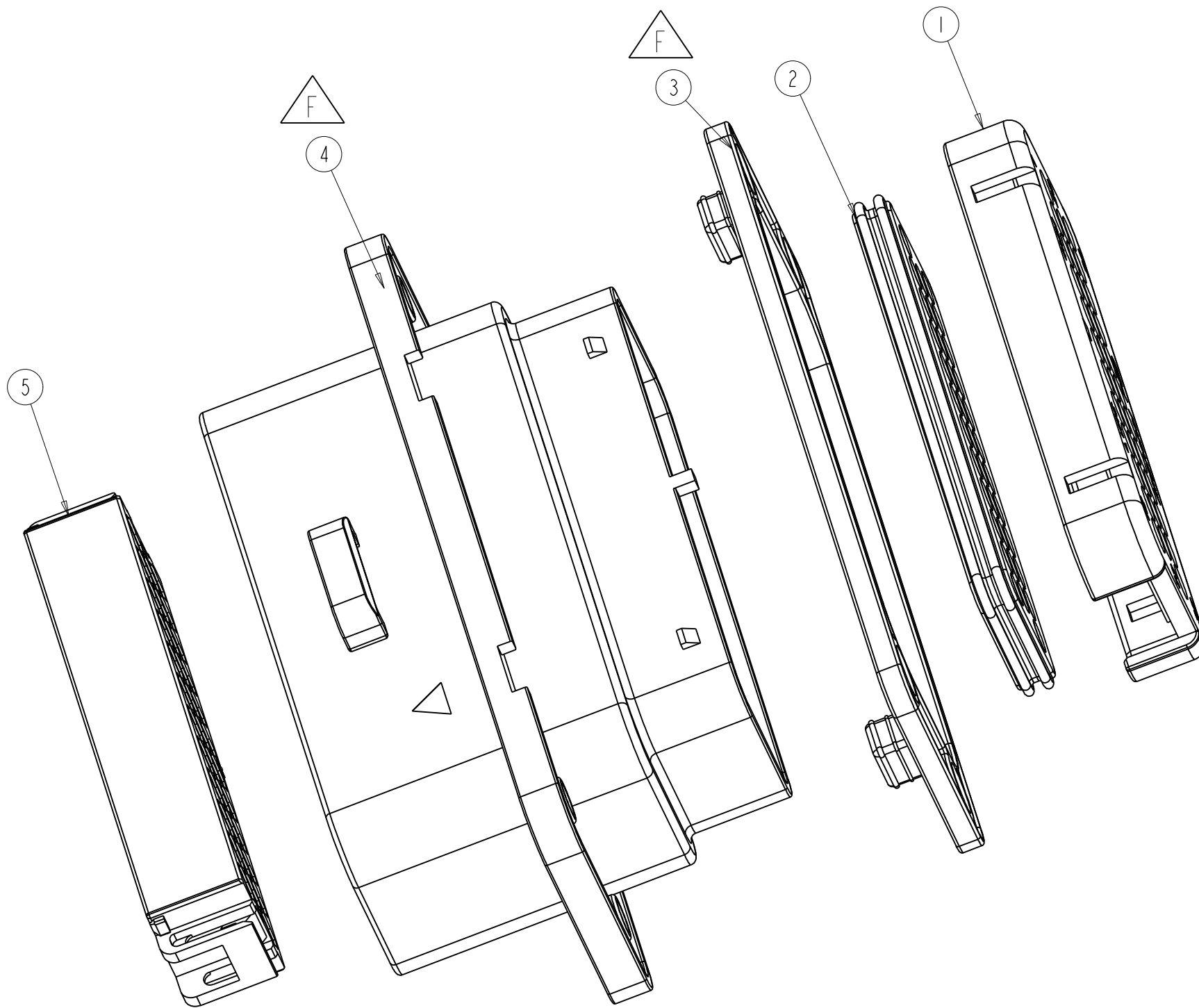
- NOTES:
- ① MATE CONTACT: 22-18AWG IS C310023102, 16-14AWG IS P01BS00589, PLEASE ORDER SEPARATELY.
  - ② MATE CONNECTOR P/N: LVRCF35PC.
  - ③ THE GRAY HOUSING CANNOT BE INSERTED INTO SHELL DEEPER BEFORE INSTALL CONTACTS.
  - ④ ROHS COMPLIANCE.
  - ⑤ ADD 13 AND 23 HOLE MARKS, ADD 22AWG WIRE & PICK UP 14AWG WIRE CURRENT AND MAX NUMBER OF HOLES.



SECTION A-A  
MOUNTING INTERFACE  
SPECIFICATION  
1.5MM MINIMUM THICKNESS

TECHINCAL DATA		SPECIAL CHARACTERISTICS SYMBOL
VOLTAGE RATING	250V	+
CURRENT RATING	8A(22~16AWG) 13A(14AWG, 6POS LOADED MAX.)	+
WIRE RANGE	22-14AWG WIRE INSULATION OD: 1.7-2.7MM	⊙
WATERPROOF (MATED CONDITION)	IP 67	+
OPERATION TEMP.	-40-125°	⊙
MAX MATING CYCLES	50 TIMES	⊙

DIMENSIONS	TOLERANCES	PROJECTION	TITLE
ANSI Y14.5M UNITS: MM Pro/E FILE	.X ±0.5 .XX ±0.05 ANGLES ±2°		<b>SOCKET OF 35 PIN CONNECTOR FRONT ASSEMBLY STYLE</b>
ORIGINAL	THIS DOCUMENT CONTAINS PROPRIETARY INFORMATION WHICH IS THE CONFIDENTIAL PROPERTY OF Amphenol PCD Shenzhen Co. Ltd Amphenol PCD Shenzhen Co. Ltd RESERVES THE RIGHT TO CLARIFY THIS DRAWING	CHKD APPD	SIZE <b>A3</b> DWG NO. <b>C-LVRCM35SCF</b> REV <b>F</b>



安费诺精密连接器(深圳)有限公司  
Amphenol PCD Shenzhen  
受控文件  
2026年5月26日

LVRCM35SCF	5	C220011208	INSERT HOUSING,PA66 GRAY	1
	4	C220011206	HOUSING,PA66 BLACK	1
	3	C270011203	FLAT RUBBER OF SOCKET, BLACK	1
	2	C270011201	RUBBER,SR RED	1
	1	C220011204	COVER,PA66 BLACK	1
P/N	ITEM	COMPONENT P/N	DESCRIPTION	QTY

SIZE	DWG NO.	REV
A3	C-LVRCM35SCF	F
SCALE: 2:1		SHEET 2 OF 2