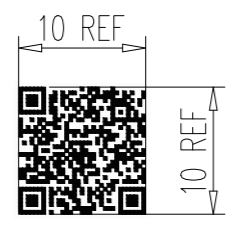
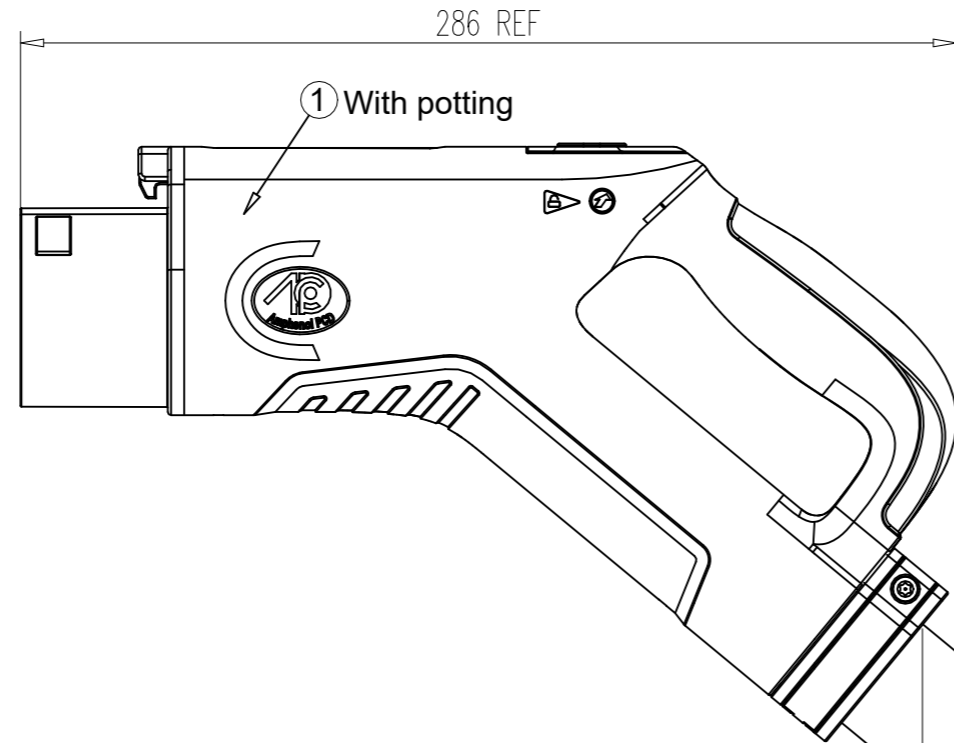
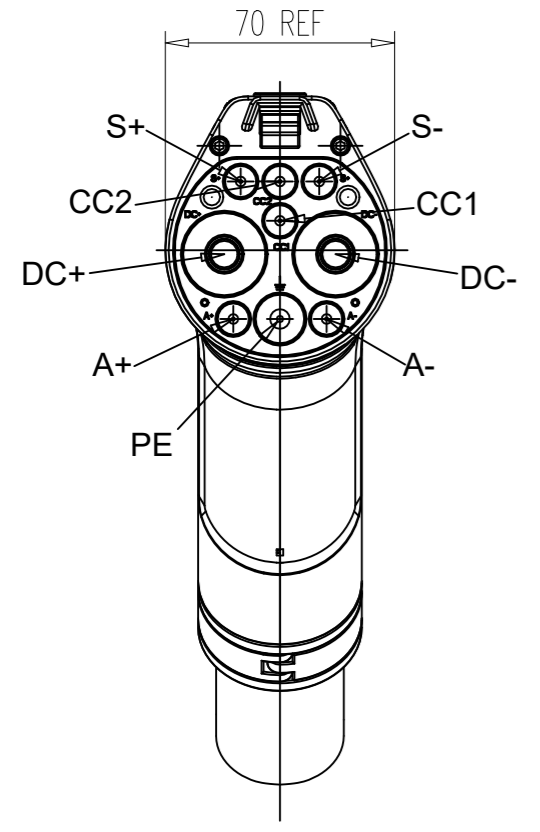
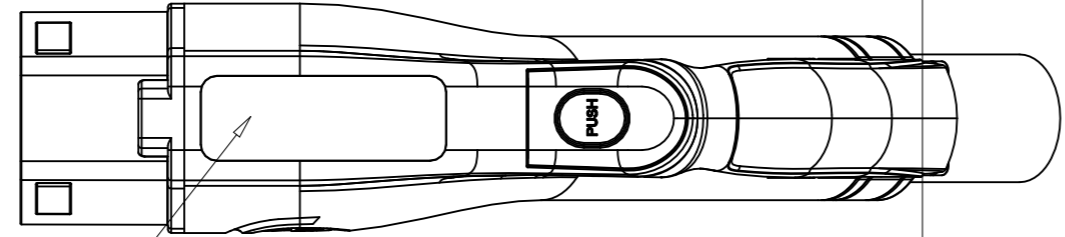


REV	ECN	DESCRIPTION	DATE	MODIFIED
1		RELEASE	Aug-08-2025	
2	C09597	UPDATED DRAWING	Oct-25-2025	
3	C09793	CORRECT TYPO	Jan-05-2026	

Amphenol PCD SZ
ORIGINAL
PDF Format
R&D



QR code Content including:
Part number
#Work order number
#Serial number ex:0001
(ex:HVCOGBM600AL5000#XXXXXX#XXXX)

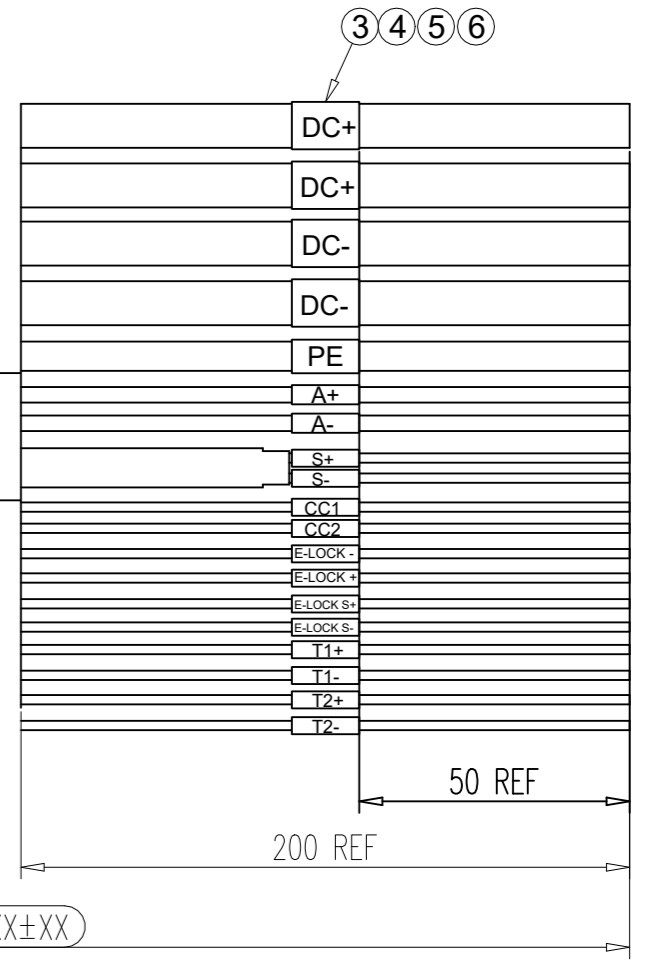


Laser marking

型号: HVCOGBM600ALXXXX
额定电压: 1000VDC/峰值电流: 600A@15分钟(25°C)
防护等级: IP67(腔体) /IP55(插合) /IP2XB
T/N: XXXXXXXX YYWW 额定电流: 300A

T/N: XXXXXXXX YYWW
YYWW: Year/Week
XXXXXXX: Work order number+batch number

LENGTH	TOLERANCE
1 to 1000mm	±50
1001 to 5000mm	±100
>5000mm	±200



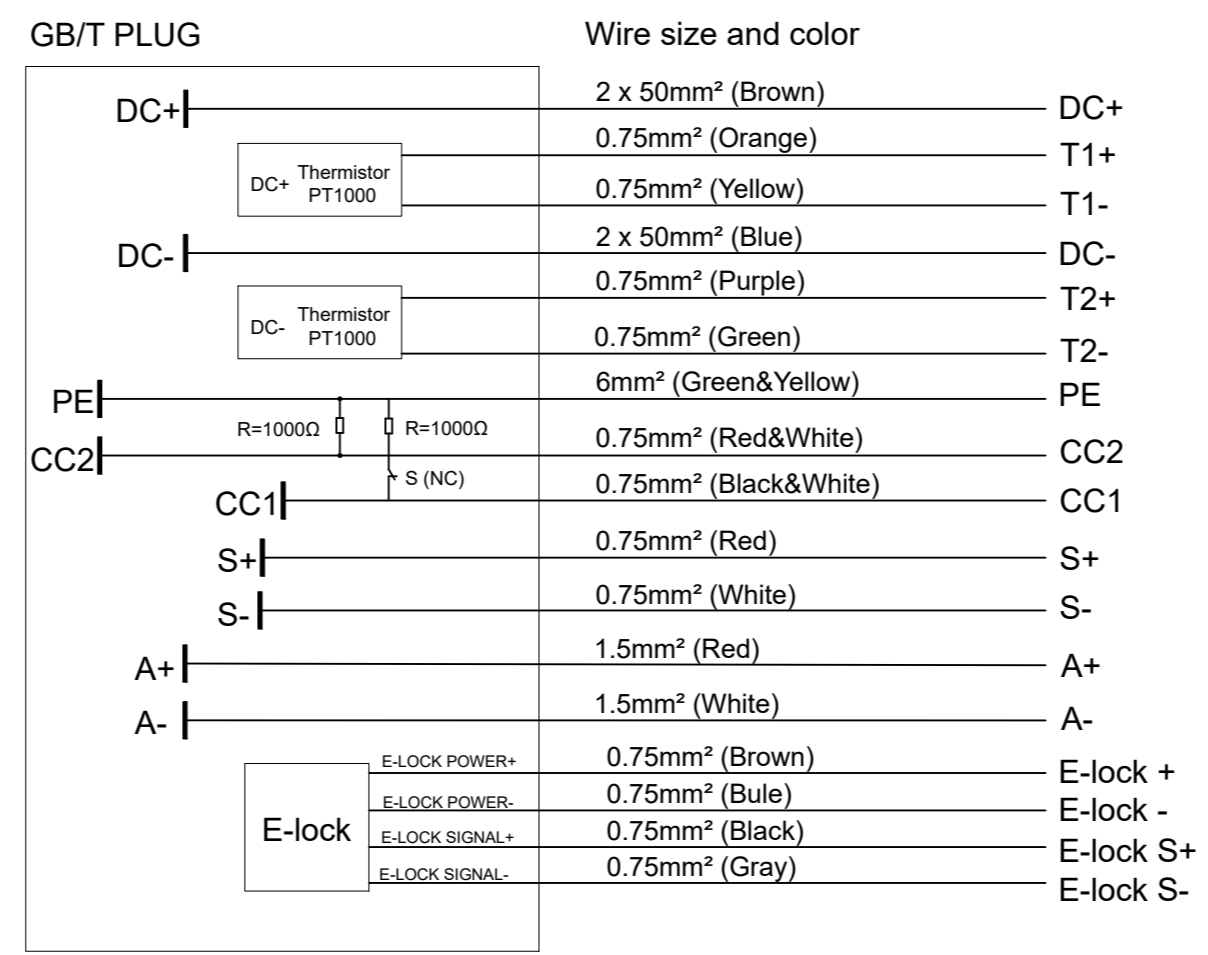
(LXXXX±XX)

DIMENSIONS		TOLERANCES		PROJECTION		TITLE				
ANSI Y14.5M UNITS: MM		.X ± 0.5 .XX ± 0.05 ANGLES ±2.0°			Amphenol PCD Shenzhen GEN2 GB/T CONNECTOR 600A 1000V 4X50MM² CABLE ASSEMBLY					
ORIGINAL		<small>THIS DOCUMENT CONTAINS PROPRIETARY INFORMATION WHICH IS THE CONFIDENTIAL PROPERTY OF Amphenol PCD Shenzhen Co. Ltd RESERVES THE RIGHT TO CLARIFY THIS DRAWING</small>		ENGR CHKD APPD		SIZE A3	DWG NO. C-HVCOGBM600ALXXXX	REV 3	SCALE	SHEET 1 OF 2

C-HVCOGBM600ALXXXX

C-HVCOGBM600ALXXXX

MODE OF CONNECTION



2

*Notes:

- Cable Assembly Data:
 - Storage temperature: -40°C to +80°C
 - Ambient Temperature: -40°C to +50°C, (+55°C max, Current reduction required, when the working temperature is beyond 90°C)
 - Rated Voltage: 1000V DC (DC+, DC-); 30V DC (A+, A-, CC1, CC2, S+, S-);
 - Rated Current: CC1, CC2, S+, S-: 2A Max; A+,A-: 20A Max
DC+, DC-: 600A / 15 minutes max@RT;
(Current reduction required, when the working temperature is beyond 90°C)
 - Insulation Resistance: DC 1000V 100MΩ Min (DC+, DC-, PE)
DC 500V 100MΩ Min (A1+, A-, S+, S-, CC1, Thermistor wires);
 - Withstand Voltage: 3000V AC (DC+, DC-, PE);
500V AC (A1+, A-, S+, S-, CC1, Thermistor wires);
 - IP-Class: IP55(mated); IP67 (enclosure/initial)
 - Durability: 20000 cycles
 - RoHS Compliance
- E-lock: 12V DC±10%, ≤250mA
- GB/T Plug reference: C-HVCOGBMXXXAL0000
- GB/T20234.1,GB/T20234.3
- Cable minimum bending radius: 10 OD

⑥	P05B000007	SINGLE-WALL H.S.T: Ø6.0 BLACK	0.13	m
⑤	C210000081	SINGLE-WALL H.S.T: Ø5.0 WHITE	0.02	m
④	C210006837	SINGLE-WALL H.S.T: Ø3.2 WHITE	0.28	m
③	C210006511	SINGLE-WALL H.S.T: Ø12.7 WHITE	0.08	m
②	CABLE	4*50mm ² +6mm ² +2*1.5mm ² +12*0.75mm ² ,BLACK,OD=38.5±1	AR	m
①	HVCOGBM600AL0000	GB/T CONNECTOR BLACK 600A 1000V	1	EA
ITEM	P/N	DESCRIPTION	QTY	UNIT

SIZE	DWG NO.	REV
A3	C-HVCOGBM600ALXXXX	3
SCALE	SHEET	2 OF 2

C-HVCOGBM600ALXXXX

C-HVCOGBM600ALXXXX