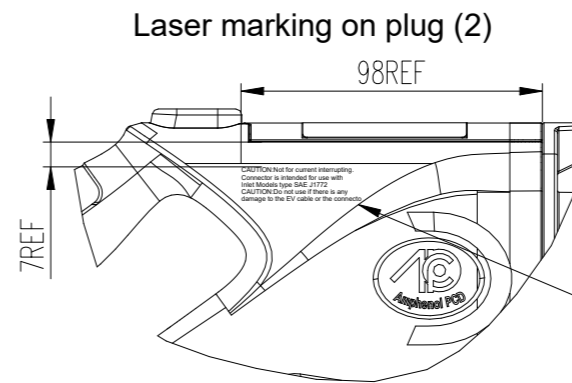
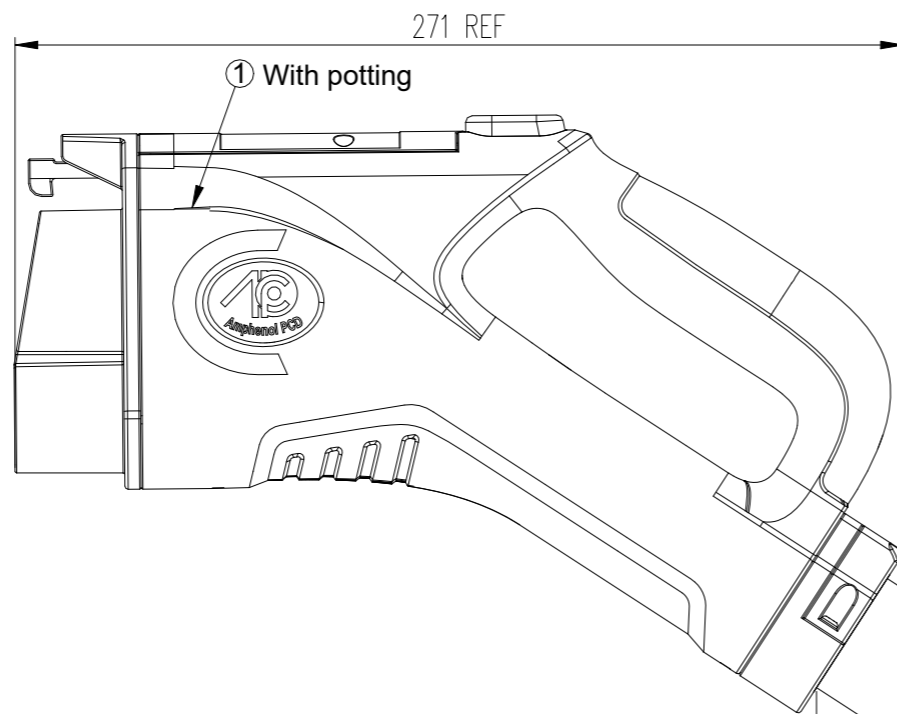
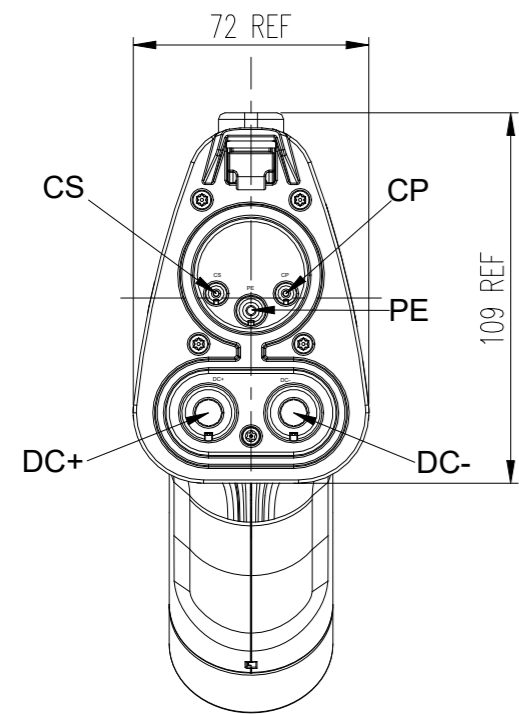
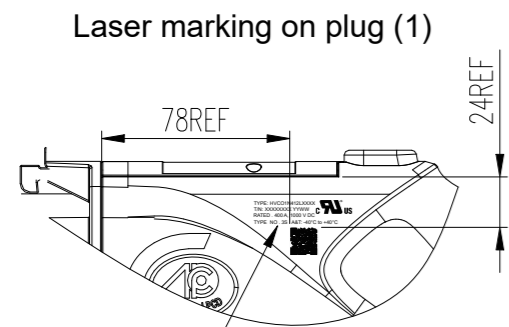


REV	ECN	DESCRIPTION	DATE	MODIFIED
1		RELEASE	Jul-29-2025	

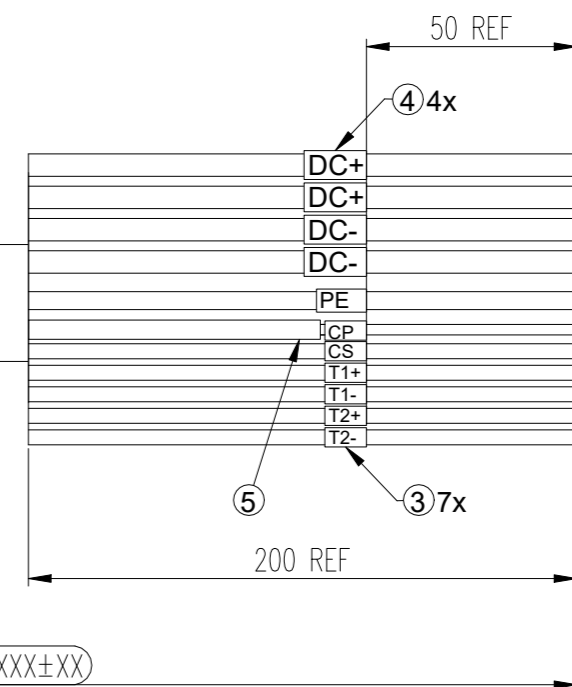
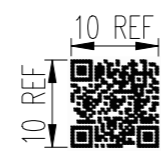
Amphenol PCD SZ  
ORIGINAL  
PDF Format  
R&D



CAUTION: Not for current interrupting.  
Connector is intended for use with  
Inlet Models type SAE J1772  
CAUTION: Do not use if there is any  
damage to the EV cable or the connector



QR code Content including:  
Part number  
#Work order number  
#Serial number ex:0001  
(ex:HVCO1N412LXXXX#XXXXXX#XXXX)



TYPE: HVCO1N412LXXXX  
T/N: XXXXXXXX YYWW  
RATED . 400 A, 1000 V DC  
TYPE NO . 3S A&T: -40°C to +40°C  
T/N: XXXXXXXX YYWW  
YYWW: Year/Week  
XXXXXXX: Work order number+batch number  
LXXXX: XXXX=Cable length



LENGTH	TOLERANCE
0 to 1000mm	±50
1001 to 5000mm	±100
>5000mm	±200

DIMENSIONS	TOLERANCES	PROJECTION	TITLE		
ANSI Y14.5M UNITS: MM CAD FILE	.X ± 0.50 .XX ± 0.05 ANGLES ± 2°		Amphenol PCD Shenzhen		
ORIGINAL	THIS DOCUMENT CONTAINS PROPRIETARY INFORMATION WHICH IS THE CONFIDENTIAL PROPERTY OF Amphenol PCD Shenzhen Co. Ltd Amphenol PCD Shenzhen Co. Ltd RESERVES THE RIGHT TO CLARIFY THIS DRAWING		ENGR	GEN3 CCS1 CONNECTOR 400A 1000V F/R 4X0AWG CABLE ASSEMBLY	
			CHKD	SIZE A3	DWG NO. C-HVCO1N412LXXXX
			APPD	SCALE 1:1	SHEET 1 OF 2

C-HVCO1N412LXXXX

C-HVCO1N412LXXXX

安费诺精密连接器(深圳)有限公司  
Amphenol PCD Shenzhen  
受控文件  
2025年7月31日

安费诺精密连接器(深圳)有限公司  
Amphenol PCD Shenzhen

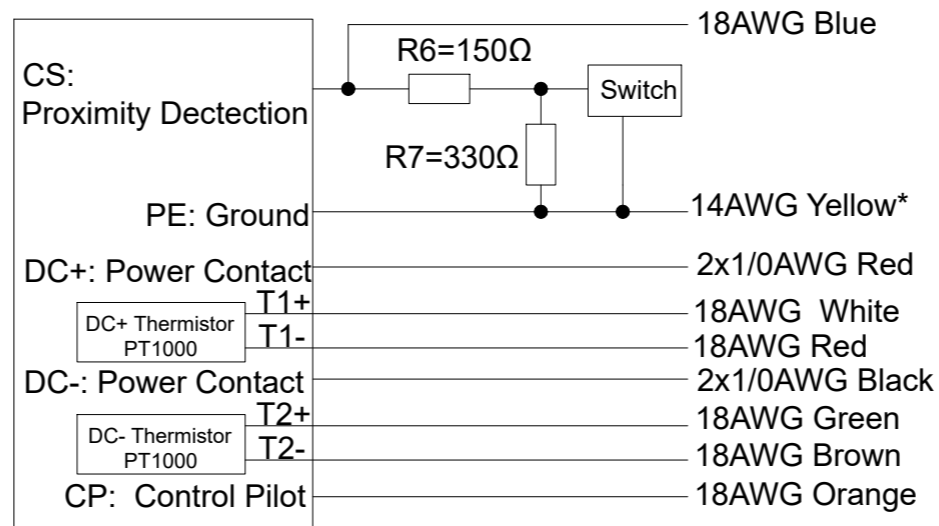
---

受 控 文 件

---

2025年7月31日

Mode Of Connection:



C-HVCO1N412LXXXX

C-HVCO1N412LXXXX

NOTES:

1. Cable assembly data:
  - 1>. Ambient Temperature: -40°C to +40°C  
(+55°C max, Current reduction required, when the maximum temperature is beyond 90°C)
  - ✦ 2>. Rated Voltage, Rate Current:  
CP, CS: DC 30V ,2A;  
DC+, DC-: DC 1000V, 400A
  - ✦ 2. Outdoor Use: UL Type 3S (Water resistant); IP67 (Enclosure)
  - © 3. Durability: 20000 cycles
  4. The Type Of Temperature Sensor: PT1000
  - ✦ 5. Dielectric Withstand Voltage :  
DC+, DC-, PE: 3000V AC; CP, CS, thermistor wires: 500V AC
  - ✦ 6. Insulation Resistance Test: DC+, DC-, PE: DC 1000V, 5MΩ Min  
CP, CS, thermistor wires: DC 500V, 5MΩ Min
  7. Reference For SAE J1772 ,UL2251
  8. Charge gun assembly reference: C-HVCO1NX12
  - ✦ 9. RoHS Compliance
  10. Cable minimum bending radius: 10 OD
  11. Weight of Cable: app 2670g/m  
Weight of plug: app 1380g/m

\*- Ground wire is suitable for isolated DC EV supply equipment as reference earth or function earth.

⑤	C210000080	SINGLE-WALL H.S.T: Ø5.0 BLACK	0.15	m
④	C210006511	SINGLE-WALL H.S.T: Ø12.7 WHITE	0.08	m
③	P05B000029	SINGLE-WALL H.S.T: Ø3.0 WHITE	0.14	m
②	CABLE	4X1/0AWG+14AWG+6X18AWG BK OD36.5mm	AR	m
①	HVCO1N412	CCS1 400A PLUG,1000V,BLACK, REPLACEABLE	1	EA
ITEM	P/N	DESCRIPTION	QTY	UNIT
		SIZE	DWG NO.	REV
		A3	C-HVCO1N412LXXXX	1
			SCALE	1:1
			SHEET	2 OF 2