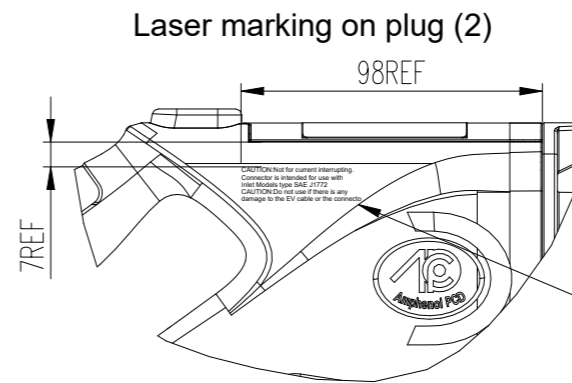
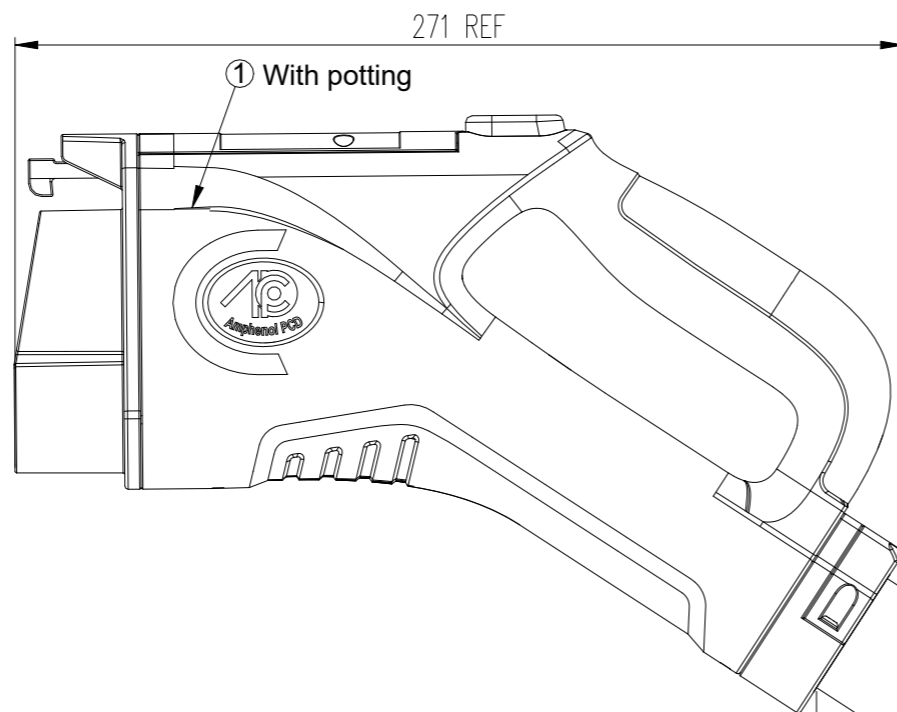
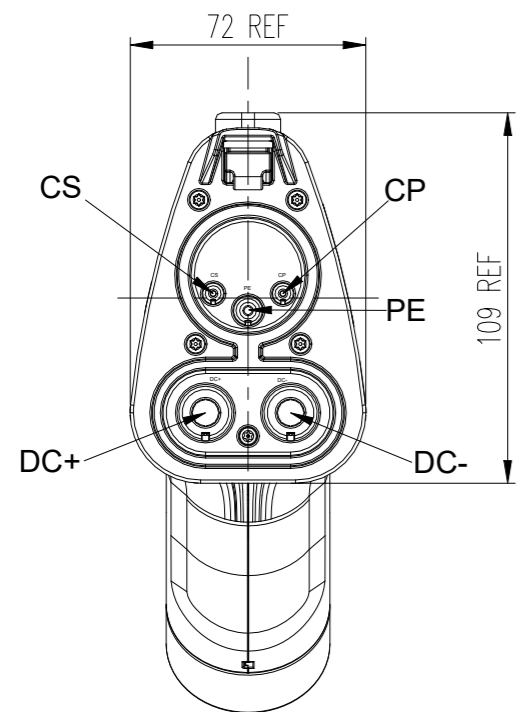
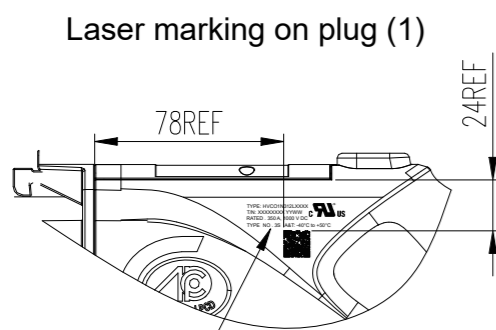


REV	ECN	DESCRIPTION	DATE	MODIFIED
1		RELEASE	Aug-27-2025	

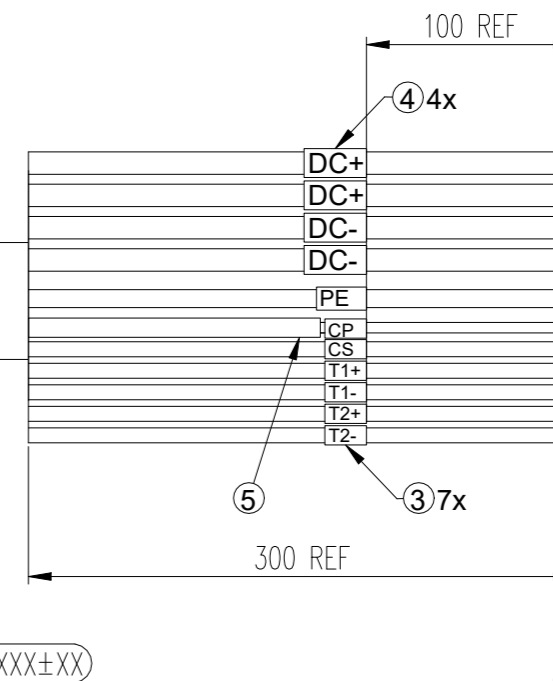
Amphenol PCD SZ
ORIGINAL
PDF Format
R&D



CAUTION: Not for current interrupting.
Connector is intended for use with
Inlet Models type SAE J1772
CAUTION: Do not use if there is any
damage to the EV cable or the connector



QR code Content including:
Part number
#Work order number
#Serial number ex:0001
(ex:HVCO1N312LXXXX#XXXXXX#XXXX)



TYPE: HVCO1N312LXXXX
T/N: XXXXXXXX YYWW
RATED . 350 A, 1000 V DC
TYPE NO . 3S A&T: -40°C to +50°C
T/N: XXXXXXXX YYWW
YYWW: Year/Week
XXXXXXX: Work order number+batch number
LXXXX: XXXX=Cable length

LENGTH	TOLERANCE
0 to 1000mm	±50
1001 to 5000mm	±100
>5000mm	±200

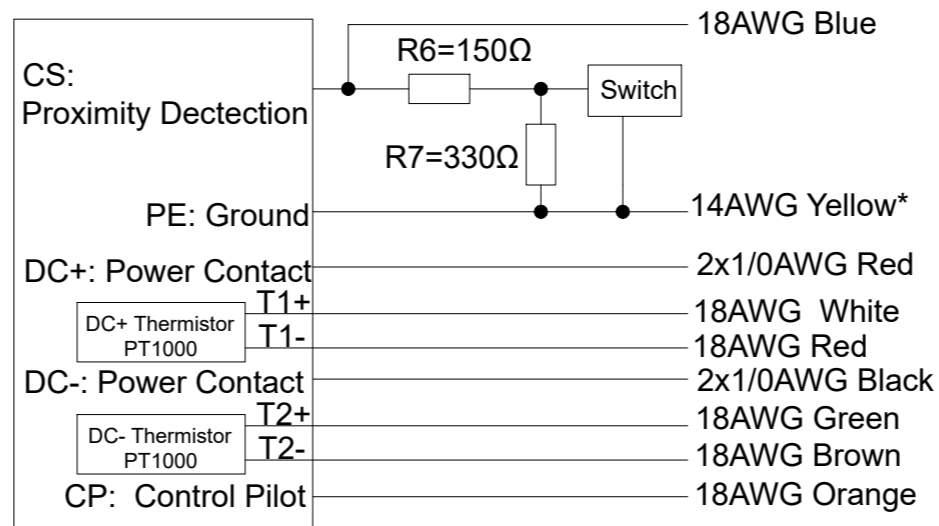
DIMENSIONS	TOLERANCES	PROJECTION	TITLE		
ANSI Y14.5M UNITS: MM CAD FILE	.X ± 0.50 .XX ± 0.05 ANGLES ± 2°		Amphenol PCD Shenzhen		
ORIGINAL	THIS DOCUMENT CONTAINS PROPRIETARY INFORMATION WHICH IS THE CONFIDENTIAL PROPERTY OF Amphenol PCD Shenzhen Co. Ltd Amphenol PCD Shenzhen Co. Ltd RESERVES THE RIGHT TO CLARIFY THIS DRAWING		ENGR	GEN3 CCS1 CONNECTOR 350A 1000V F/R 4X0AWG CABLE ASSEMBLY	
			CHKD	SIZE A3	DWG NO. C-HVCO1N312LXXXX
			APPD	SCALE 1:1	SHEET 1 OF 2

安费诺精密连接器(深圳)有限公司
Amphenol PCD Shenzhen
受控文件
2025年9月8日

C-HVCO1N312LXXXX

C-HVCO1N312LXXXX

Mode Of Connection:



NOTES:

1. Cable assembly data:
 - 1>. Ambient Temperature: -40°C to +50°C (+55°C max, Current reduction required, when the maximum temperature is beyond 90°C)
 - ✦ 2>. Rated Voltage, Rate Current:
 - CP, CS: DC 30V ,2A;
 - DC+, DC-: DC 1000V, 350A
 - ✦ 2. Outdoor Use: UL Type 3S (Water resistant); IP67 (Enclosure)
 - ◎ 3. Durability: 20000 cycles (Replaceable)
 4. The Type Of Temperature Sensor: PT1000
 - ✦ 5. Dielectric Withstand Voltage :
 - DC+, DC-, PE: 3000V AC; CP, CS, thermistor wires: 500V AC
 - ✦ 6. Insulation Resistance Test: DC+, DC-, PE: DC 1000V, 100MΩ Min
 - CP, CS, thermistor wires: DC 500V, 100MΩ Min
 7. Reference For SAE J1772 ,UL2251
 8. Charge gun assembly reference: C-HVCO1NX12
 - ✦ 9. RoHS Compliance
 10. Cable minimum bending radius: 5xOD (Static applications); 10xOD (Dynamic applications)
 11. Weight of Cable: app 2670g/m

*- Ground wire is suitable for isolated DC EV supply equipment as reference earth or function earth.

安费诺精密连接器(深圳)有限公司
Amphenol PCD Shenzhen
受 控 文 件
2025年9月8日

⑤	C210000080	SINGLE-WALL H.S.T: Ø5.0 BLACK	0.20	m
④	C210006511	SINGLE-WALL H.S.T: Ø12.7 WHITE	0.08	m
③	P05B000029	SINGLE-WALL H.S.T: Ø3.0 WHITE	0.14	m
②	CABLE	4X1/0AWG+14AWG+6X18AWG BK OD36.5mm	AR	m
①	HVCO1N412	CCS1 350A PLUG,1000V,BLACK, REPLACEABLE	1	EA
ITEM	P/N	DESCRIPTION	QTY	UNIT
		SIZE	DWG NO.	
		A3	C-HVCO1N312LXXXX	
		SCALE	REV	
		1:1	1	
		SHEET	2 OF 2	