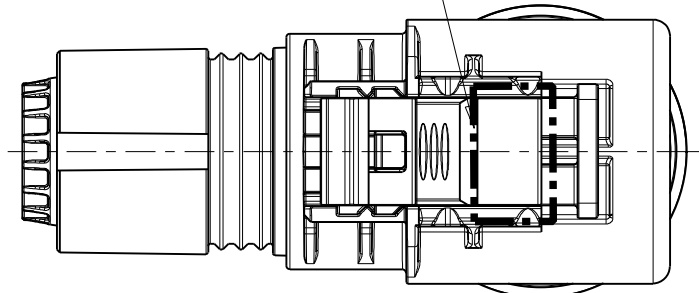


C-CHD14081XXXX

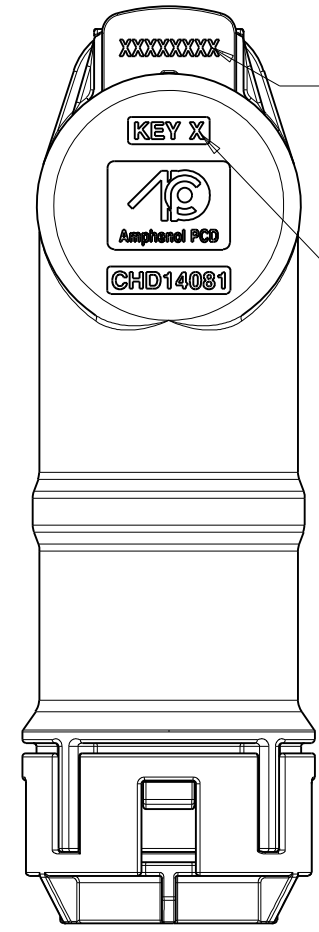
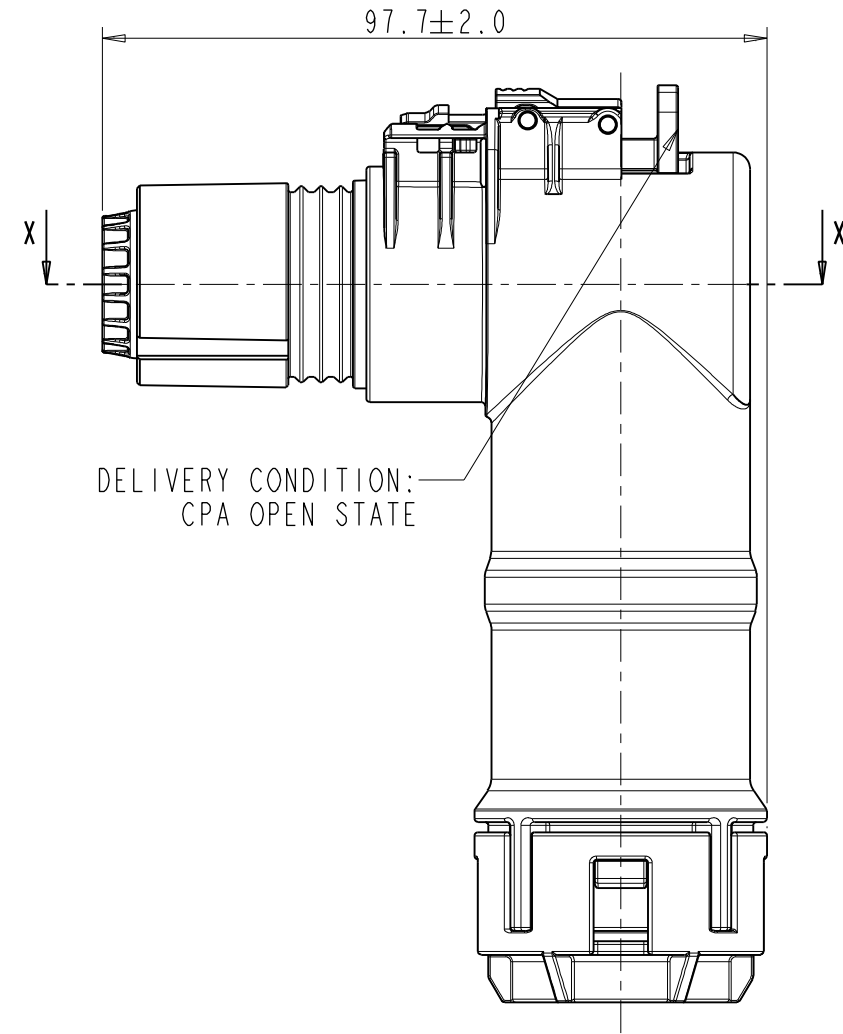
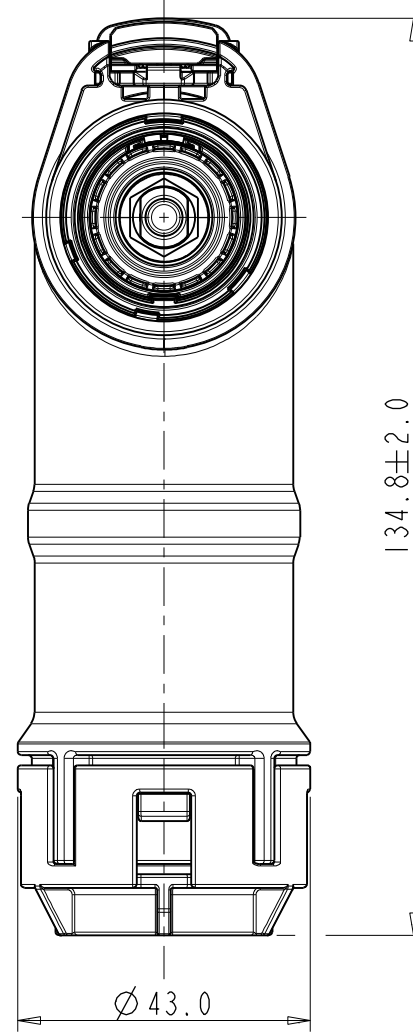
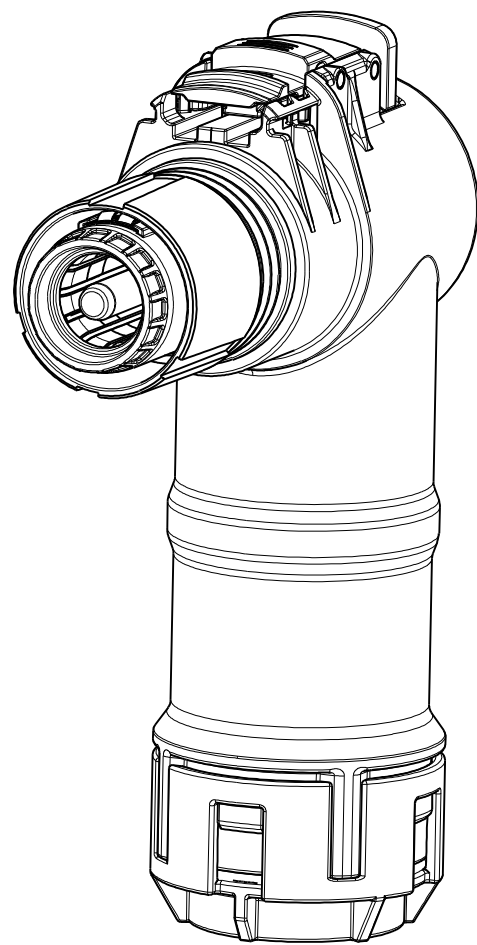
Amphenol PCDSZ
ORIGINAL
PDF Format
R&D

REV	ECN	DESCRIPTION	DATE	MODIFIED
1		PRE- RELEASE	May-20-2025	- -
2	C09706	MODIFY THE DELIVERY METHOD	Nov-05-2025	.

COLOR RECOGNITION AREA



安费诺精密连接器(深圳)有限公司
Amphenol PCD Shenzhen
受控文件
2026年3月6日



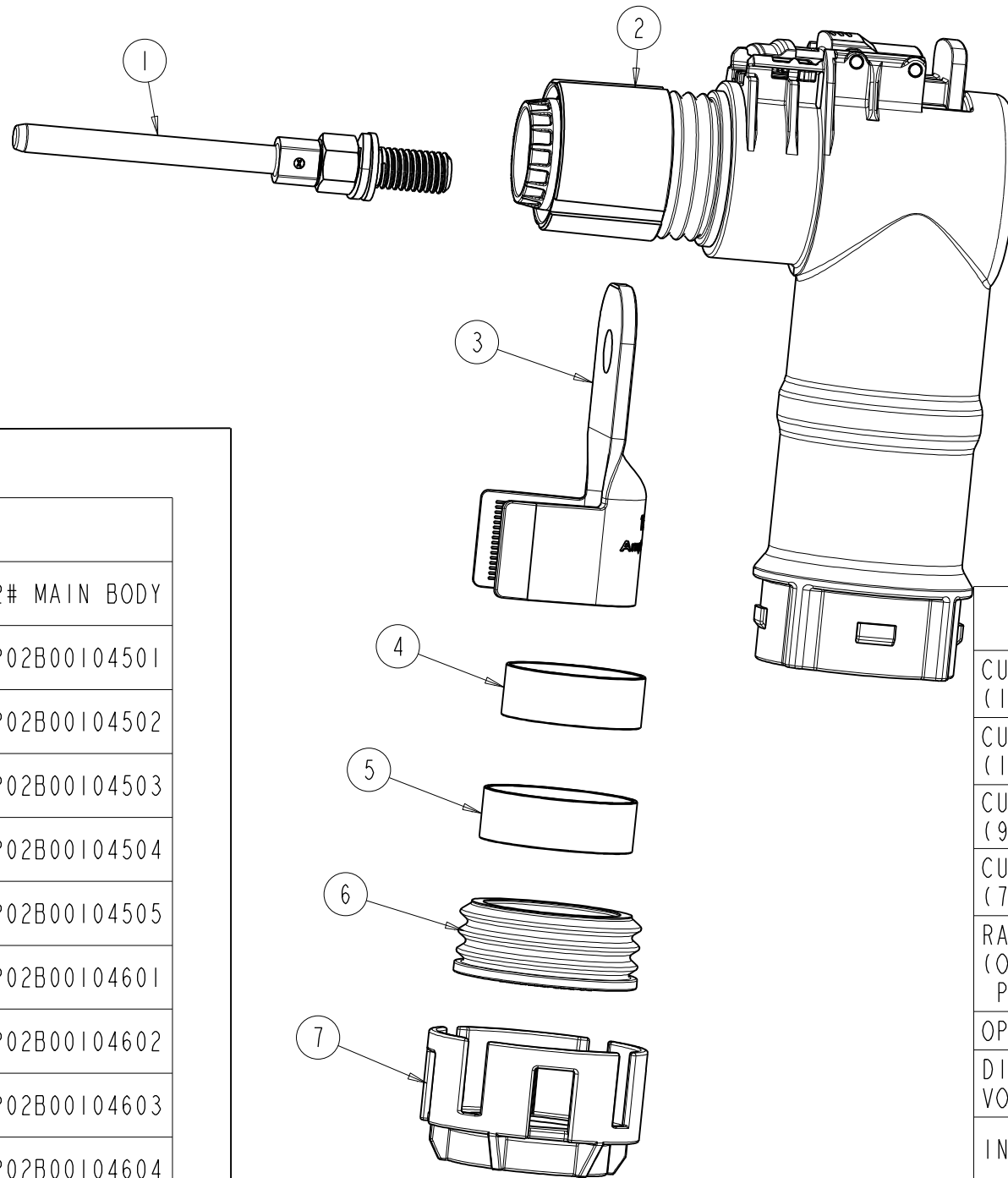
WORK ORDER NUMBER +BATCH
KEY MARK: A/B/C/D/E

C-CHD14081XXXX

C-CHD14081XXXX

NOTES:
1. MATERIAL & FINISH:
BODY: ALUMINUM ALLOY, NEUTRAL SALT SPRAY MEETS 500H.
POWER CONTACT: COPPER ALLOY SILVER PLATED
HVIL CONTACTS: COPPER ALLOY SILVER PLATED
SEAL RING: SR

DIMENSIONS	TOLERANCES	PROJECTION	TITLE		
ANSI Y14.5M UNITS: MM Pro/E FILE	.X ±0.5 .XX ±0.05 ANGLES ±2°		CHD14 RA PLUG		
ORIGINAL	<small>THIS DOCUMENT CONTAINS PROPRIETARY INFORMATION WHICH IS THE CONFIDENTIAL PROPERTY OF Amphenol PCD Shenzhen Co. Ltd Amphenol PCD Shenzhen Co. Ltd RESERVES THE RIGHT TO CLARIFY THIS DRAWING</small>				
			SCALE: 1:1		SHEET 1 OF 4



CHD 14 08 1 X X X X

KEY & COLOR & HVIL CODE :

CODE	THE FRIST X (KEY & COLOR CODE)	COLOR	THE SECOND X (HVIL CODE)	2# MAIN BODY
X X	A	RED	I	P02B00104501
	B	BLACK	I	P02B00104502
	C	YELLOW	I	P02B00104503
	D	GREEN	I	P02B00104504
	E	BLUE	I	P02B00104505
	A	RED	0	P02B00104601
	B	BLACK	0	P02B00104602
	C	YELLOW	0	P02B00104603
	D	GREEN	0	P02B00104604
	E	BLUE	0	P02B00104605

CABLE SIZE OPTION:

CODE	DESCRIPTION	3# TERMINAL	4# INNER FERRULE	5# OUTER FERRULE	6# CABLE SEAL	7# END CAP
01	150MM ² , MEET LV216 OD= 24.9±0.5mm	P01BS0068401	P01BM00957	P01BM00984	P01BR00345	P01BP0039301
02	120MM ² , MEET LV216 OD= 22.6±0.4mm	P01BS0068402	P01BM00996	P01BM00995	P01BR00344	P01BP0039302
03	95MM ² , MEET LV216 OD= 20.5±0.4mm	P01BS0068403	P01BM00998	P01BM00997	P01BR00343	P01BP0039303
04	70MM ² , MEET LV216 OD= 17.8±0.4mm	P01BS0068404	P01BM01457	P01BM01458	P01BR00591	P01BP0039304

ITEM	COMPONENT P/N	DESCRIPTION	Q'TY
7	SEE TABLE 2	END CAP	1
6	SEE TABLE 2	CABLE SEAL	1
5	SEE TABLE 2	INNER FERRULE	1
4	SEE TABLE 2	INNER FERRULE	1
3	SEE TABLE 2	TERMINAL	1
2	SEE TABLE 1	MAIN BODY ASSEMBLY	1
1	P02B001141	INSULATOR	1

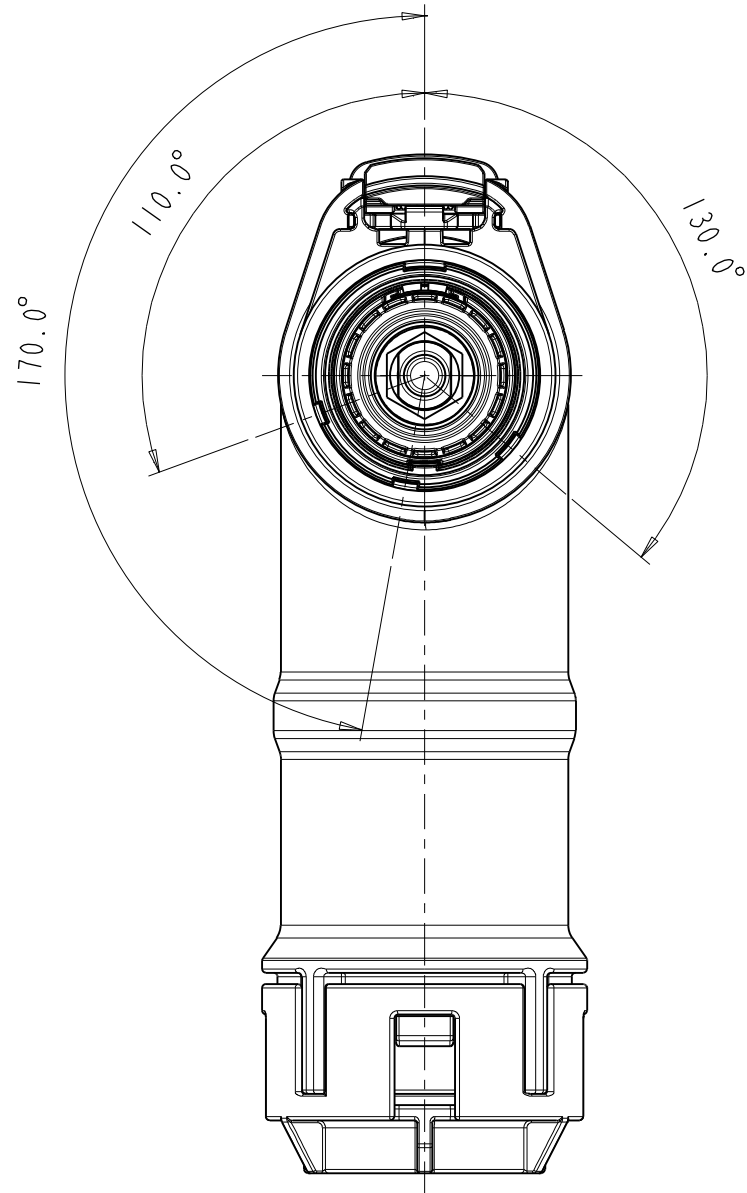
CURRENT RATE (150MM ² SHIELD BARE COPPER CABLE)	450A @ AMBIENT 70°C	+
CURRENT RATE (120MM ² SHIELD BARE COPPER CABLE)	430A @ AMBIENT 70°C	+
CURRENT RATE (95MM ² SHIELD BARE COPPER CABLE)	350A @ AMBIENT 70°C	+
CURRENT RATE (70MM ² SHIELD BARE COPPER CABLE)	300A @ AMBIENT 70°C	+
RATING VOLTAGE (OVERVOLTAGE CATEGORY II POLLUTION DEGREE 2)	1500V DC	+
OPERATING TEMPERATURE	-40-125°C	
DIELECTRIC WITHSTANDING VOLTAGE	4000V AC(RMS)	+
INSULATION RESISTANCE	200MΩ MIN.@25°C	+
DURABILITY	50 CYCLES	◎
SHIELDING	YES	
WATERPROOF (MATED CONDITION)	IP67, IP6K9K	+
PROTECTION LEVEL (UNMATED)	IP2XB	+
AMBIENT TEMPERATURE	-40-70°C	
RoHS & REACH	YES	+

SIZE	DWG NO.	REV
A3	C-CHD14081XXXX	2
SCALE: 1:1		SHEET 2 OF 4

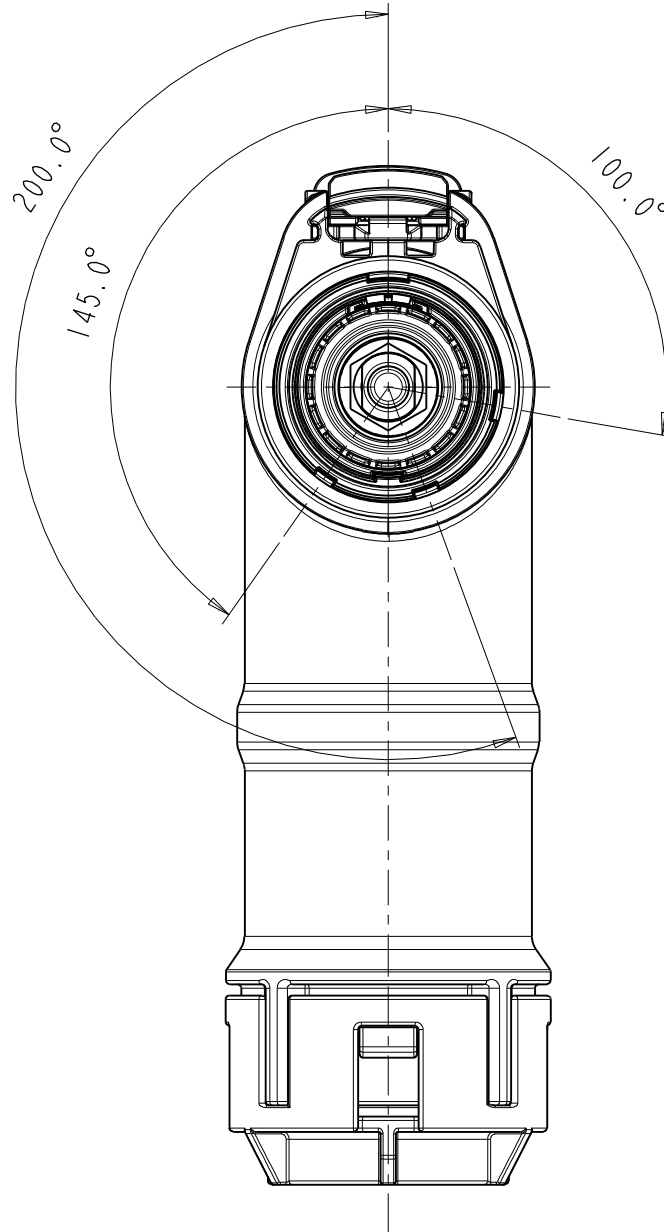
C-CHD14081XXXX

C-CHD14081XXXX

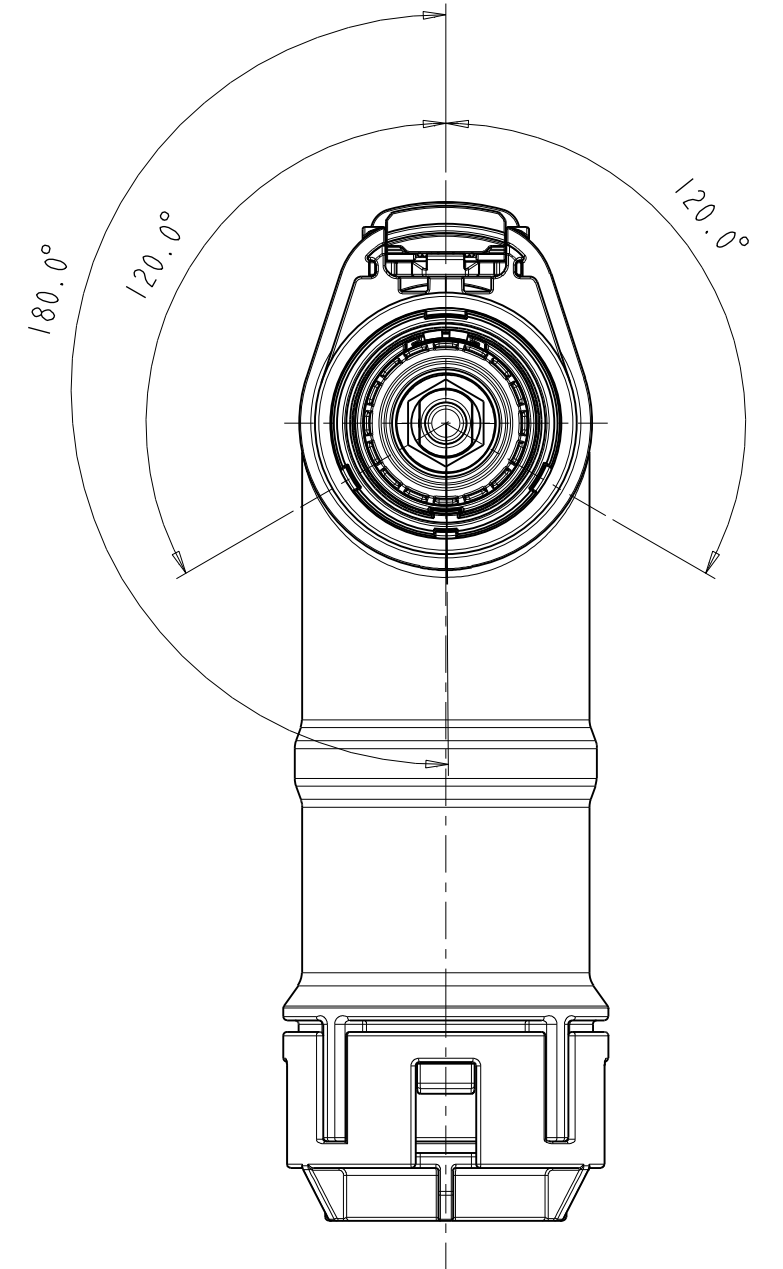
KEY A



KEY B



KEY C



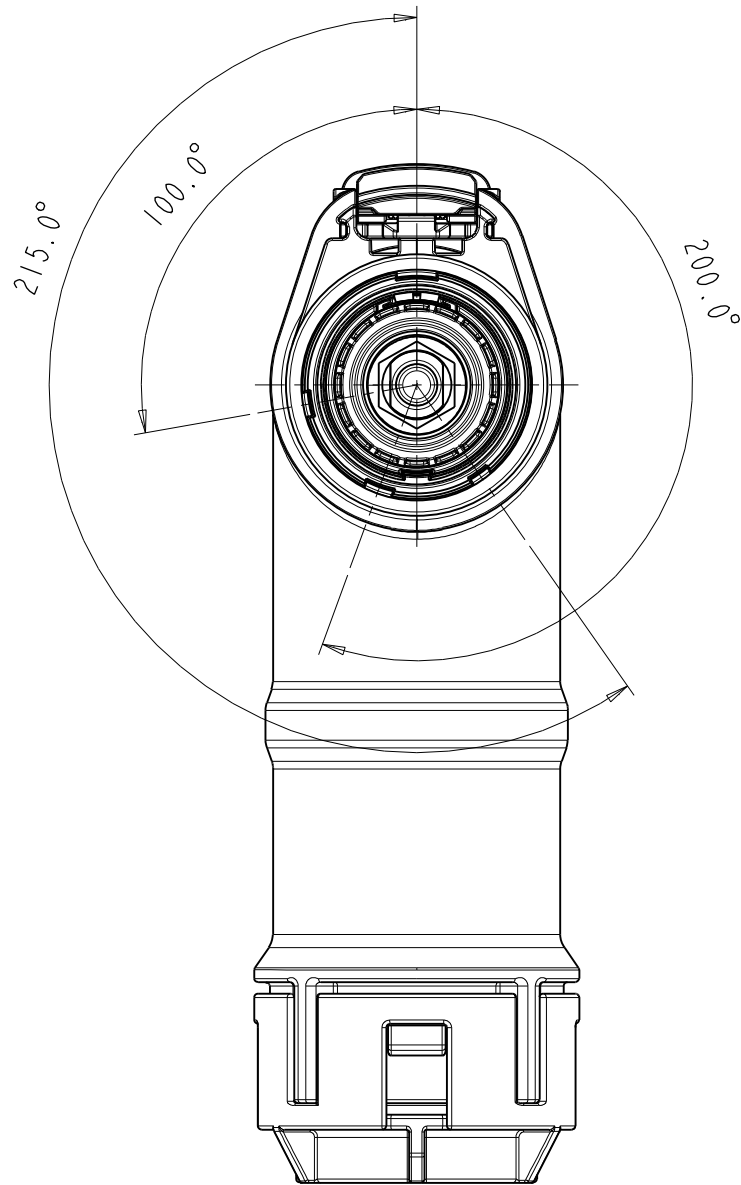
C-CHD14081XXXX

C-CHD14081XXXX

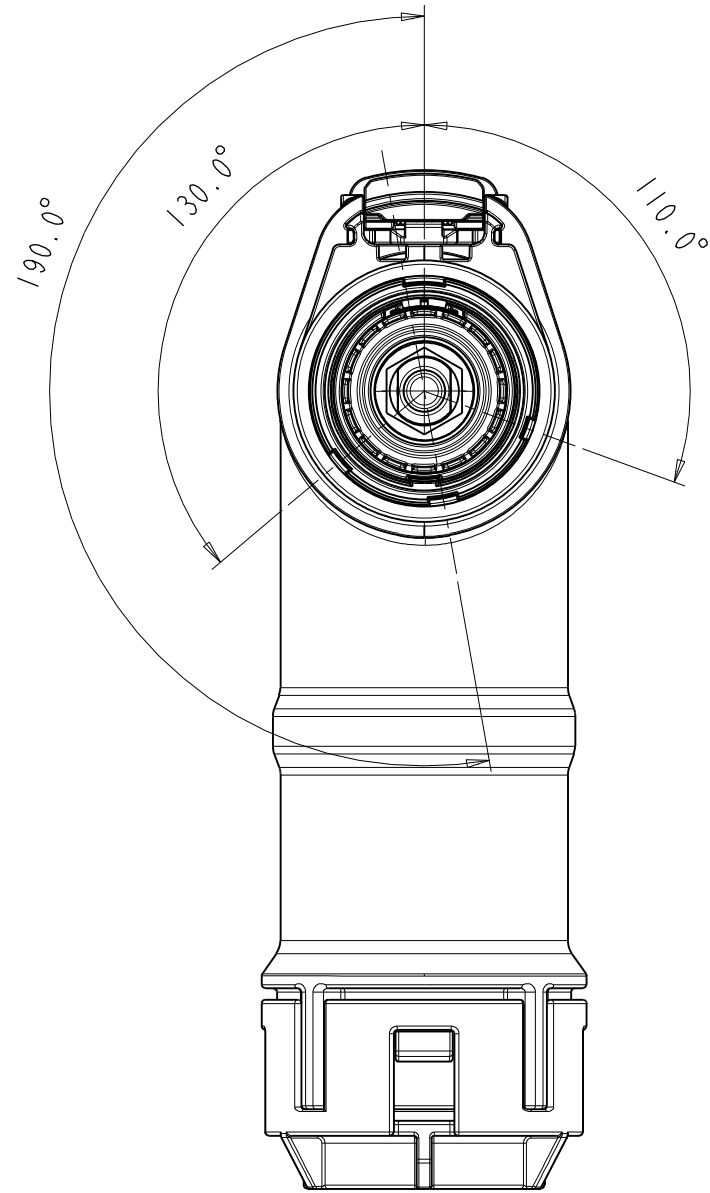
安费诺精密连接器(深圳)有限公司
Amphenol PCD Shenzhen
受控文件
2026年3月6日

SIZE	DWG NO.	REV
A3	C-CHD14081XXXX	2
SCALE: 1:1		SHEET 3 OF 4

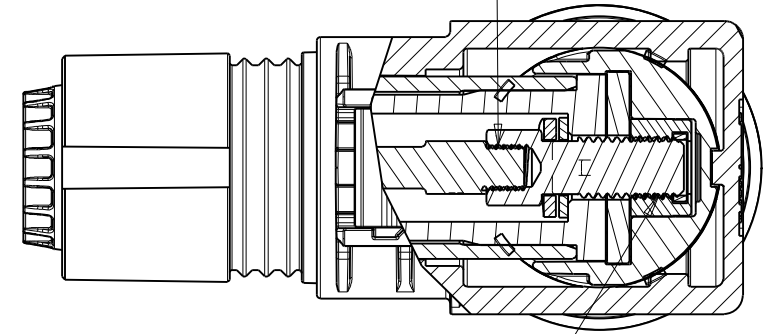
KEY D



KEY E



TORQUE FOR FINGER PROTECTION POST:
0.2N.m±10%,USE TIGHTEN GLUE



SECTION X-X

TORQUE FOR BUSBAR MOUNTING:
13.4N.m±10%

安费诺精密连接器(深圳)有限公司
Amphenol PCD Shenzhen
受控文件
2026年3月6日

SIZE	DWG NO.	REV
A3	C-CHD14081XXXX	2
SCALE: 1:1		SHEET 4 OF 4