

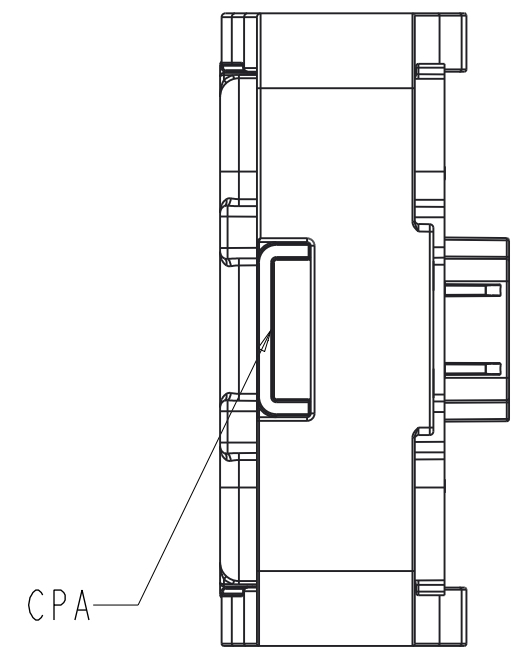
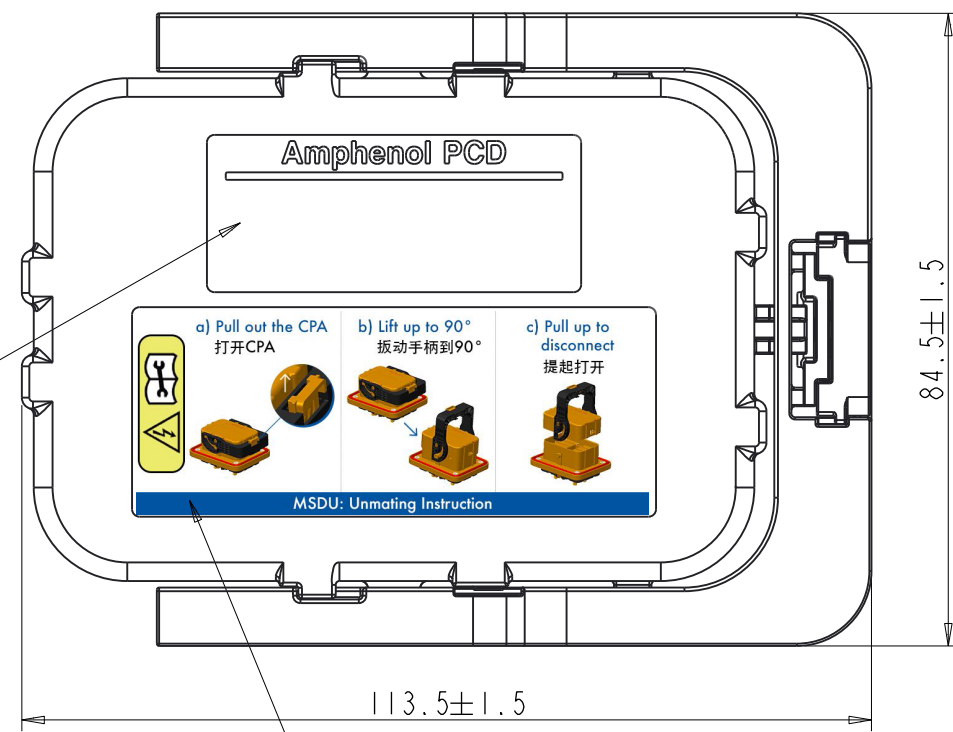
REV	ECN	DESCRIPTION	DATE	MODIFIED
1		PRE- RELEASE	2025/12/12	

Amphenol PCDSZ
ORIGINAL
PDF Format
R&D

MSDU0000:PRINTING DESCRIPTION

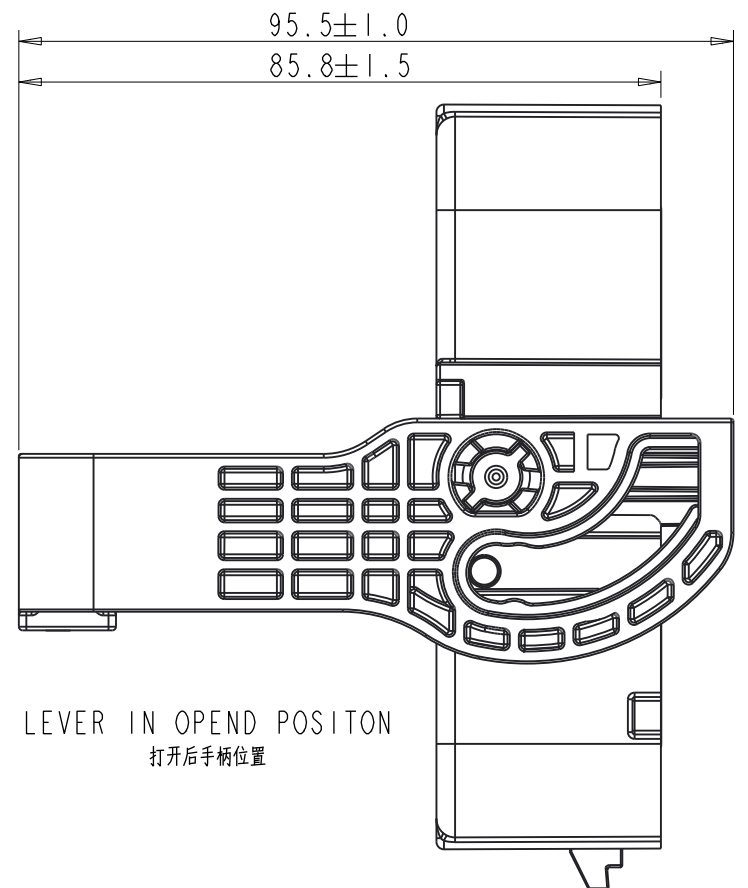
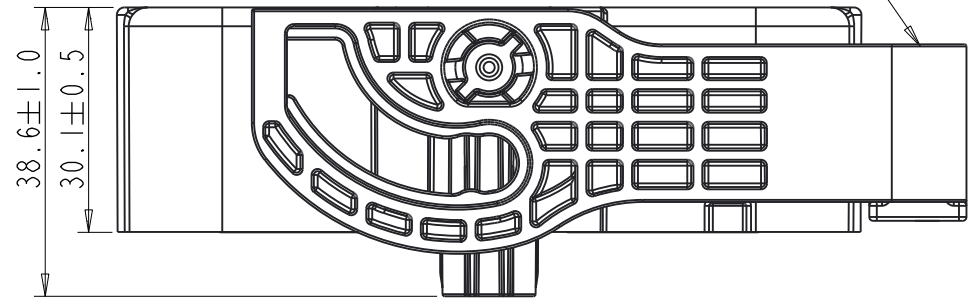
TYPE:MSDU0000(UNFUSED)
RATED VOLTAGE AND CURRENT:
DC 1500V 750A
T/N: XXXXXXXX YY.WW

Production batch number Year.Week



安费诺精密连接器(深圳)有限公司
Amphenol PCD Shenzhen
受控文件
2025年12月15日

LEVER IN LOCKED POSITON
锁紧后的手柄位置



NO	DESCRIPTION	P/N
1	MSDU-PLUG	MSDU0000

TECHNICAL DATA		FEATURE
RATED VOLTAGE(NO FUSE)	1500V DC	+
RATED CURRENT	750A/@45K	+
	800A/@55K	+
OPERATING TEMPERATURE	-40°C~+125°C	
AMBIENT TEMPERATURE	-40°C~+70°C	
DIELECTRIC WITHSTANDING VOLTAGE	3000V AC	+
INSULATION RESISTANCE	100MΩ .MIN.	+
DURABILITY	50 CYCLES	⊙
WATERPROOF(MATED CONDITION)	IP67, IP6K9K	+

MUSD-PLUG

DIMENSIONS	TOLERANCES	PROJECTION	TITLE		
ANSI Y14.5M	.X ±0.5		Amphenol PCD Shenzhen		
UNITS: MM	.XX ±0.05		ENGR		
Pro/E FILE	ANGLES ±2°		MSDU		
ORIGINAL	THIS DOCUMENT CONTAINS PROPRIETARY INFORMATION WHICH IS THE CONFIDENTIAL PROPERTY OF Amphenol PCD Shenzhen Co. Ltd Amphenol PCD Shenzhen Co. Ltd RESERVES THE RIGHT TO CLARIFY THIS DRAWING		CHKD	SIZE A3	DWG NO. C-MSDUXXXX
			APPD		REV 1
			SCALE: 1:1		SHEET 1 OF 2

C-MSDUXXXX

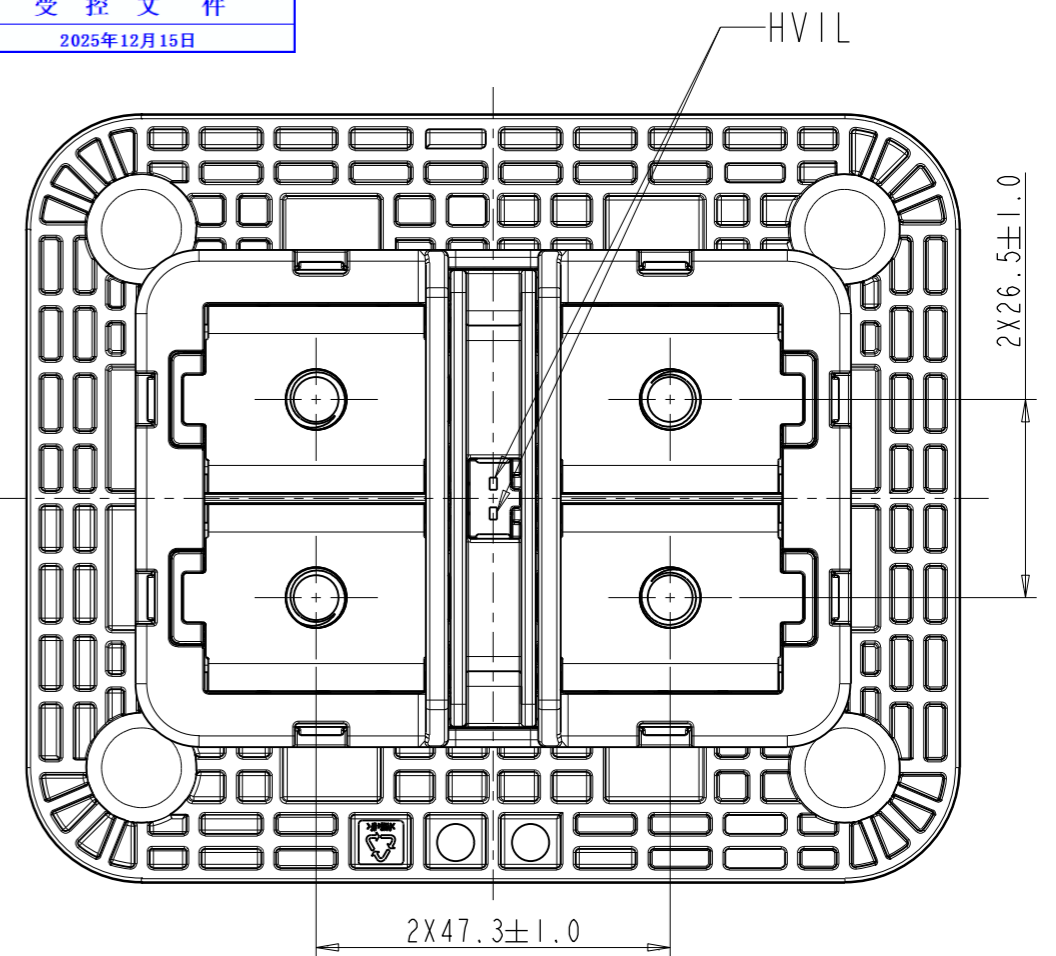
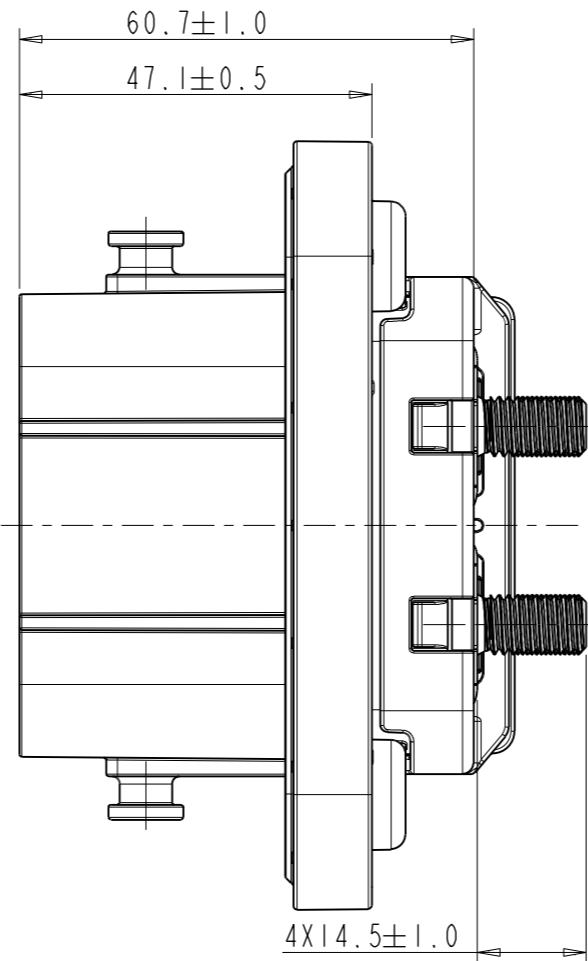
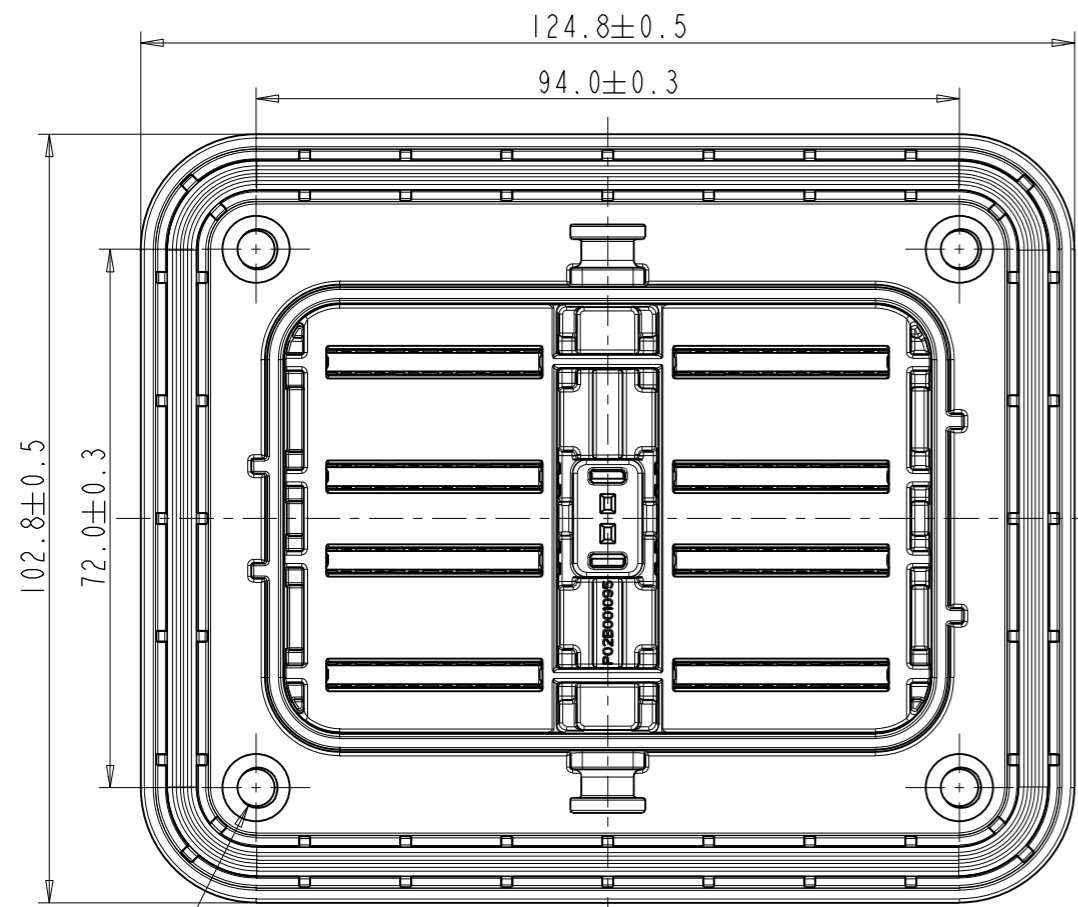
C-MSDUXXXX

C-MSDUXXXX

安费诺精密连接器(深圳)有限公司
Amphenol PCD Shenzhen

受控文件

2025年12月15日

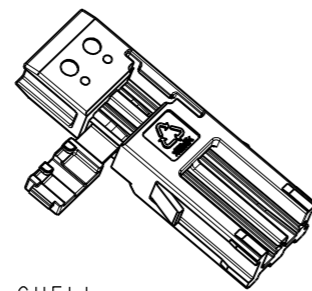
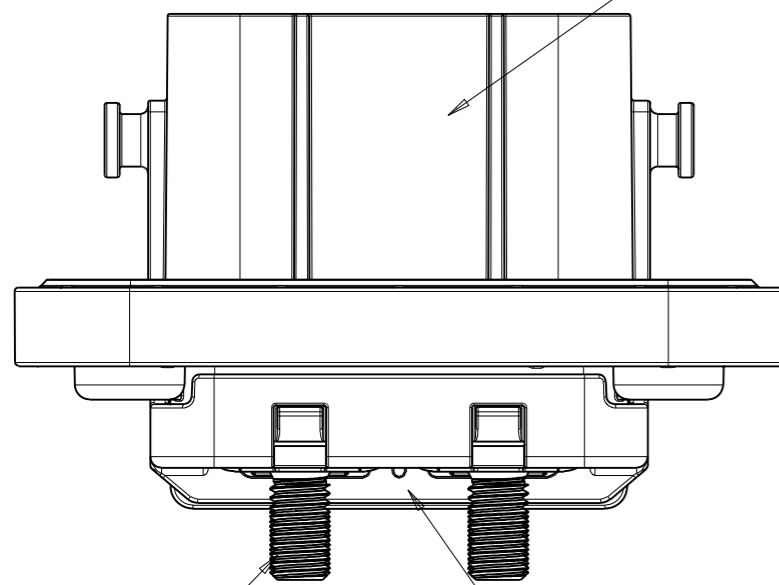


4XM6
Recommended torque: 5.3N, m±10%

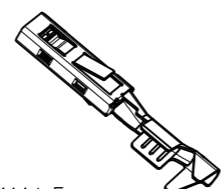
MSDUFOOR: PRINTING DESCRIPTION

MSDUFOOR	P/N
YY.WW	Year.Week
T/N: XXXXXXXX	

Production batch number

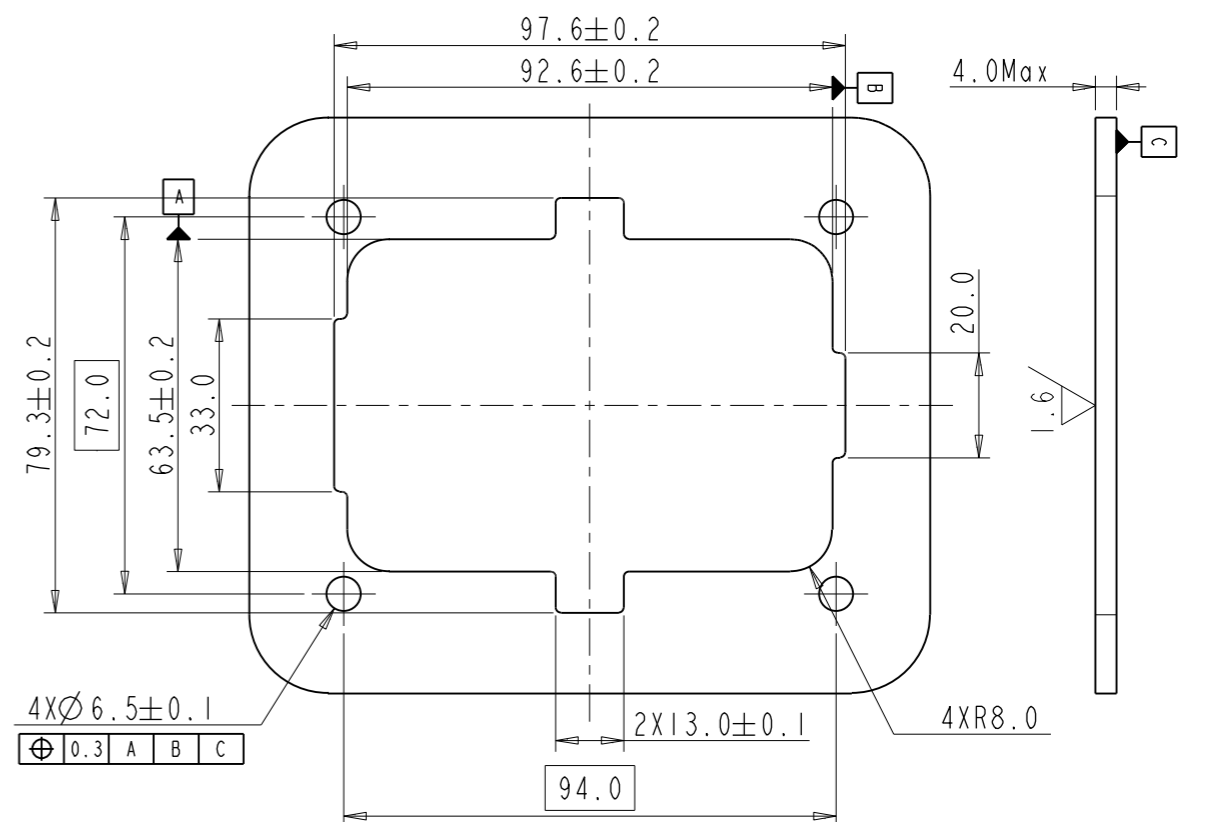


SMALL SHELL
P/N: P01BP01592/1PCS
(PROVIDED BY Amphenol)



HVIL FEMALE
PIN: P01BS00725 /2PCS
(CUSTOMERS ORDERS INDIVIDUALLY)

4XM8
Recommended torque: 13.4N, m±10%



NO	DESCRIPTION	P/N
1	BACKEND INSTALLATION SOCKET	MSDUFOOR

SIZE A3	DWG NO. C-MSDUXXXX	REV 1
SCALE: 1:1		SHEET 2 OF 2

C-MSDUXXXX

C-MSDUXXXX