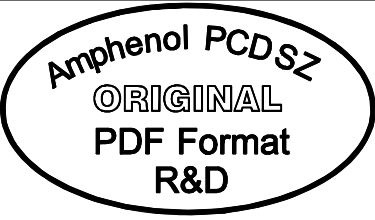
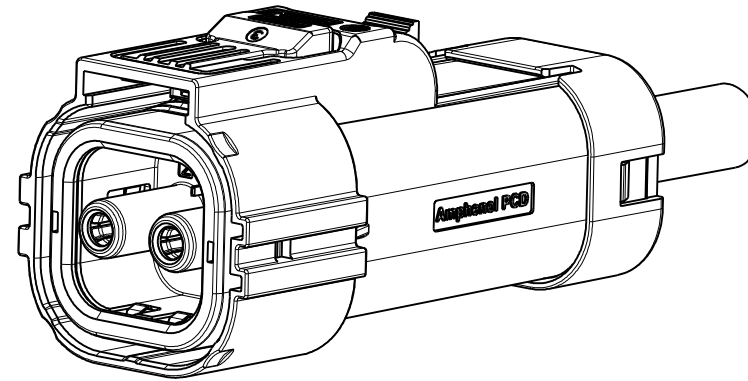


REV	ECN	DESCRIPTION	DATE	MODIFIED
1		PRE- RELEASE	Oct-30-25	



APPLICATION:  
 POLLUTION DEGREE II  
 OVERVOLTAGE CATEGORY II  
 INHOMOGENEOUS FIELD  
 ALTITUDE UP TO 4000M

应用场所:  
 污染等级 2  
 过电压等级 2  
 非均匀磁场  
 海拔 4000M



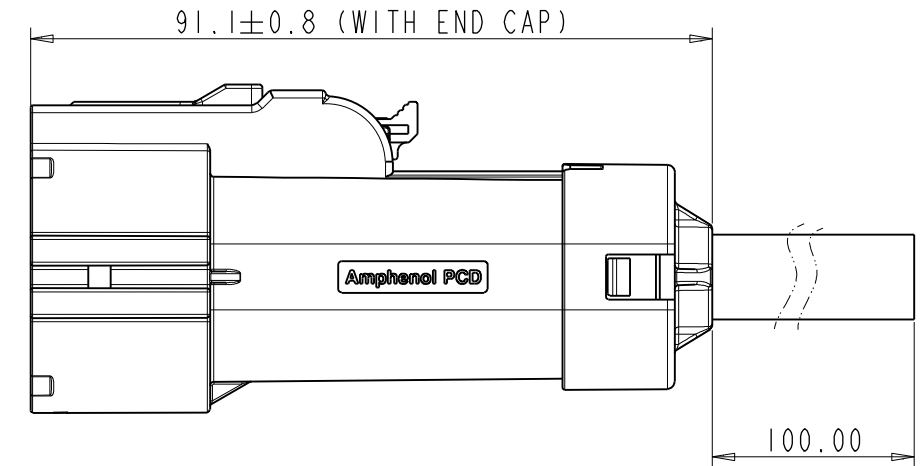
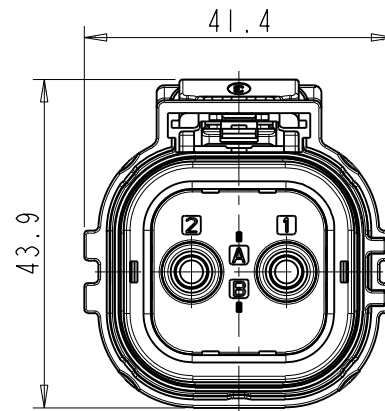
安费诺精密连接器(深圳)有限公司  
 Amphenol PCD Shenzhen  
 受控文件  
 2025年11月4日

MATERIAL  
 HOUSING: PA66 UL94-V0  
 CONTACTS: COPPER ALLOY, Tin OR Ag PLATED  
 SHIELD: COPPER ALLOY, Tin PLATED  
 SEAL: SILICONE

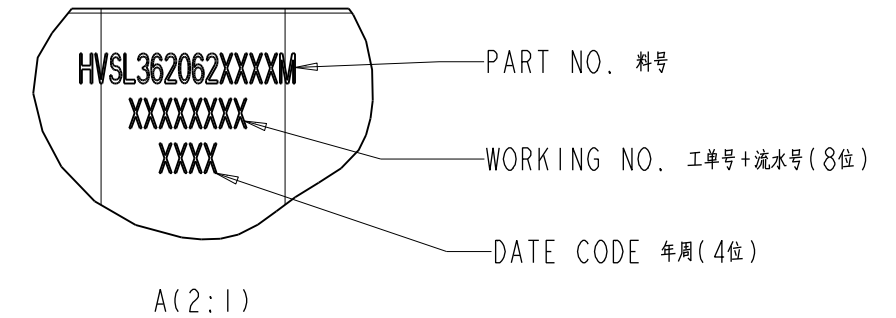
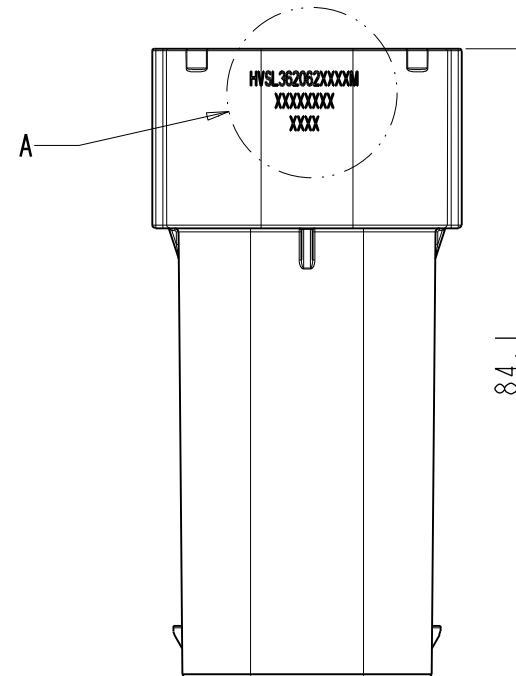
\* RATED CURRENT:  
 40A (6mm<sup>2</sup> CABLE - STAMPING POWER CONTACT C3100235021)  
 60A (10mm<sup>2</sup> CABLE - STAMPING POWER CONTACT C3100235021)

- NOTES:  
 1. HVSL364064AXXXM SHOWN IN THIS SHEET  
 2. RECOMMEND OD OF SHIELDED WIRE FOR POWER CONTACT (屏蔽线缆护套直径):  
 6mm<sup>2</sup> WIRE :  $\varnothing 10.65 - \varnothing 11.35\text{mm}$   
 10mm<sup>2</sup> WIRE :  $\varnothing 14.0\text{mm} - \varnothing 14.8\text{mm}$   
 3. CONTACT SHOULD BE ORDERED SEPARATELY 端子需单独购买  
 6mm<sup>2</sup> & 10mm<sup>2</sup>: C3100235021, USE LEVEL : 2PCS  
 4. RoHS & REACH COMPLIANCE 符合 RoHS & REACH 要求

+ CRITICAL CHARACTERISTICS 关键特性  
 © IMPORTANT CHARACTERISTICS 重要特性



CABLE FIXATION: 100mm MAX

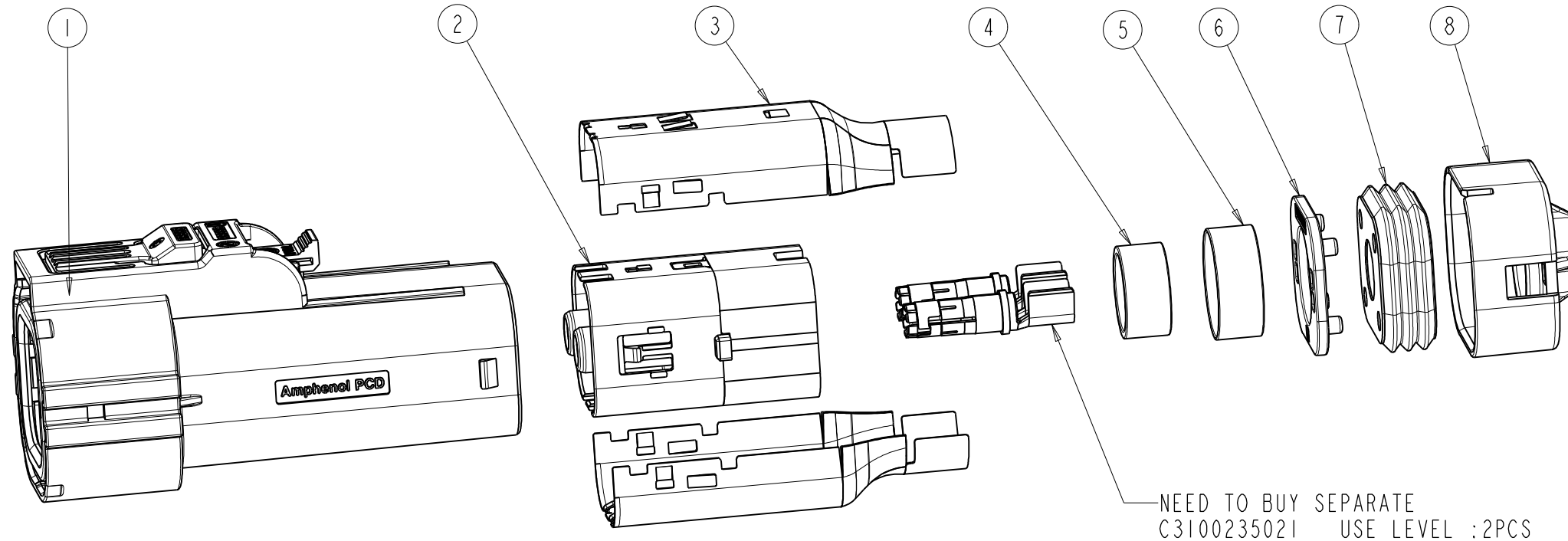


TECHNICAL DATA		SPECIAL CHARACTERISTICS SYMBOL
VOLTAGE RATING	1000V AC&DC	+
WITHSTANDING VOLTAGE	POWER: 3000V AC	+
	SIGNAL: 660V AC	+
INSULATION RESISTANCE	>200M $\Omega$	+
CURRENT RATING	SIGNAL CONTACT 5A	+
	POWER CONTACT SEE *	
DURABILITY	50 CYCLES	©
SHIELDING	YES	NA
WATERPROOF (MATED CONDITION)	IP67	+
IP FOR FINGER TOUCH (UNMATED CONDITION)	IP2XB	+
OPERATION TEMP.	-40 TO 125°C	NA
WIRE RANGE	6 - 10mm <sup>2</sup>	NA

DIMENSIONS	TOLERANCES	PROJECTION	TITLE		
ANSI Y14.5M UNITS: MM Pro/E FILE	.X $\pm 0.5$ .XX $\pm 0.05$ ANGLES $\pm 2^\circ$		<b>HVSL362 2P PLUG WITH MULTICORE CABLE</b> ENGR Oct-30-2025		
ORIGINAL	THIS DOCUMENT CONTAINS PROPRIETARY INFORMATION WHICH IS THE CONFIDENTIAL PROPERTY OF Amphenol PCD Shenzhen Co. Ltd Amphenol PCD Shenzhen Co. Ltd RESERVES THE RIGHT TO CLARIFY THIS DRAWING				
			SCALE: 1:1 SHEET 1 OF 3		

C-HVSL362062XXXXM

C-HVSL362062XXXXM



HVSL362 06 2 X X XX M

SERIES NUMBER

TYPE: PLUG(180°)

POLES

KEY OPTION: A,B,C,D,E

MULTICORE CABLE

WIRE SIZE

06: 6mm<sup>2</sup> WIRE  
10: 10mm<sup>2</sup> WIRE

INTERLOCK OPTION

1:YES  
0:NO

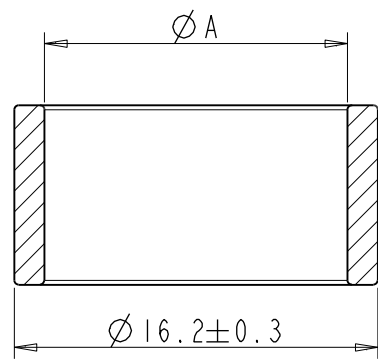
MULTICORE CABLE  
2\*10mm<sup>2</sup>  
OD=∅14.0-∅14.8  
H&S CABLE  
PART NO: 84152097

MULTICORE CABLE  
2\*6mm<sup>2</sup>  
OD=∅10.65-∅11.35  
H&S CABLE  
PART NO: 12584915

ITEM	COMPONENT P/N	REMARK
2	P02B00114001	WITH INTERLOCK
	P02B00114002	WITHOUT INTERLOCK

ITEM	COMPONENT P/N	REMARK
1	HVSL362062AM	KEY A
	HVSL362062BM	KEY B
	HVSL362062CM	KEY C
	HVSL362062DM	KEY D
	HVSL362062EM	KEY E

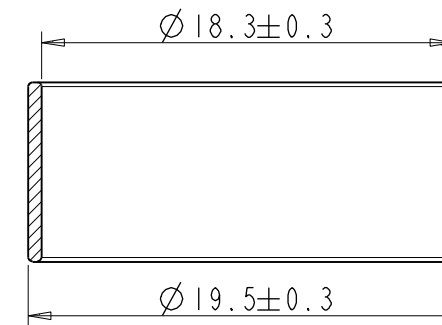
P/N	ITEM	COMPONENT P/N	QTY	DESCRIPTION	REMARK
HVSL362062XX10M	8	P01BP0155906	1	END CAP	MULTICORE CABLE 2*10mm <sup>2</sup> OD=∅14.0-∅14.8 H&S CABLE PART NO: 84152097
	7	P01BR0133906	1	SEAL	
	6	P01BP01566	1	GASKET	
	5	P01BM03060	1	SHIELDING OUTER RING	
	4	P01BM03077	1	SHIELDING INNER RING	
	3	P01BS00710	2	PLUG SHIELDING	
	2	P02B001140XX	1	SEMI-FINISHED PRODUCT	
	1	HVSL362062XM	1	SEMI-FINISHED PRODUCT (X=A, B, C, D, E)	
HVSL362062XX06M	8	P01BP0155902	1	END CAP	MULTICORE CABLE 2*6mm <sup>2</sup> OD=∅10.65-∅11.35 H&S CABLE PART NO: 12584915
	7	P01BR0133902	1	SEAL	
	6	P01BP01566	1	GASKET	
	5	P01BM03060	1	SHIELDING OUTER RING	
	4	P01BM0306102	1	SHIELDING INNER RING	
	3	P01BS00710	2	PLUG SHIELDING	
	2	P02B001140XX	1	SEMI-FINISHED PRODUCT	
	1	HVSL362062XM	1	SEMI-FINISHED PRODUCT (X=A, B, C, D, E)	



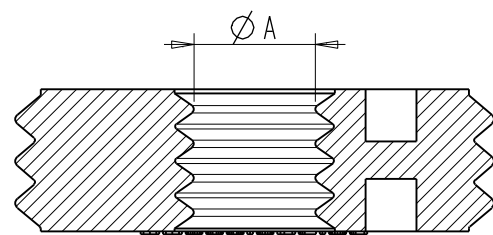
SECTION B-B

ITEM	PN	A	线规
4	P01BM0306102	11.55±0.30	2*6SQ
	P01BM03077	15.0±0.3	2*10SQ

ITEM 5  
P01BM03060

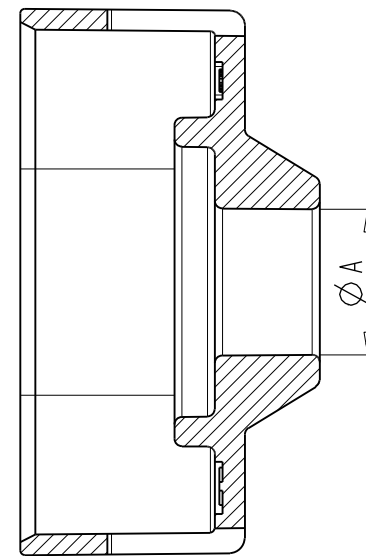


SECTION B-B



SECTION A-A

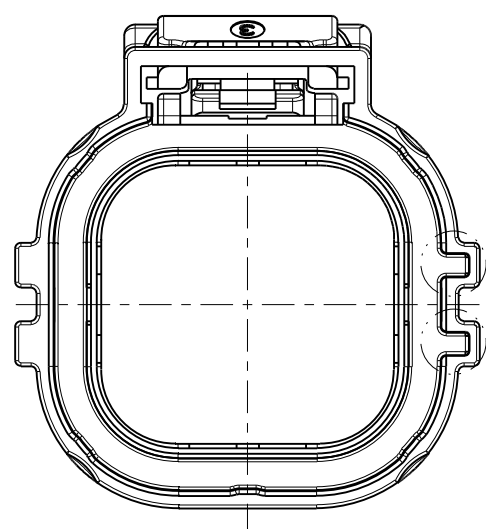
ITEM	PN	A	线规
7	P01BR0133902	9.85±0.30	2*6SQ
	P01BR0133906	13.2±0.3	2*10SQ



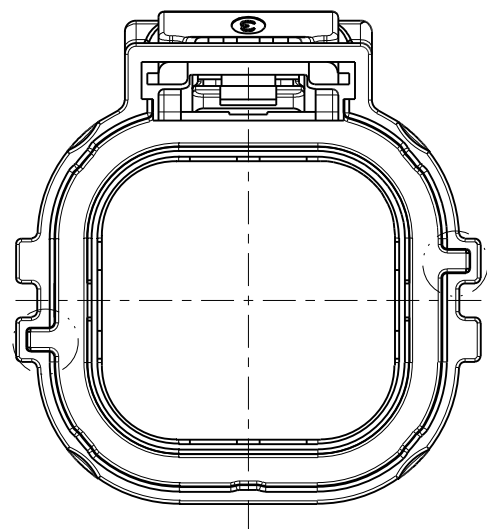
SECTION A-A

ITEM	PN	A	线规
8	P01BP0155902	11.55±0.30	2*6SQ
	P01BP0155906	15.0±0.3	2*10SQ

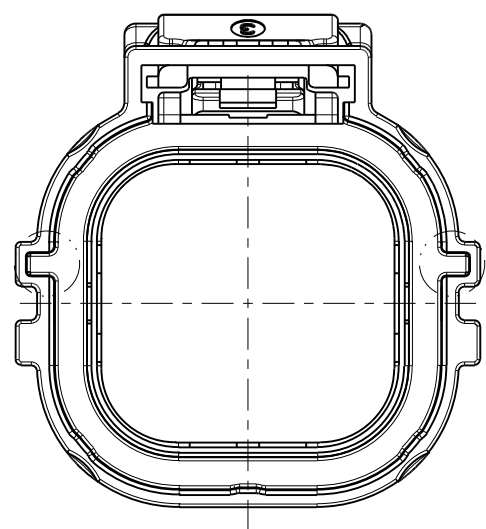
KEY A



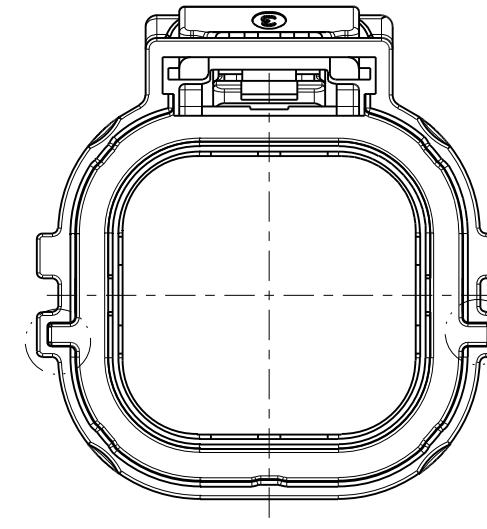
KEY B



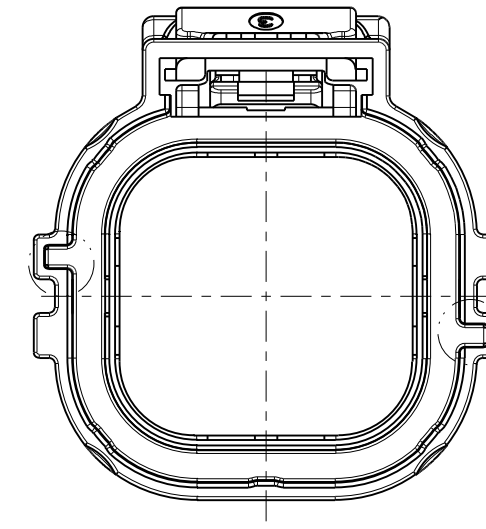
KEY C



KEY D



KEY E



SIZE <b>A3</b>	DWG NO. <b>C-HVSL362062XXXXM</b>	REV <b>1</b>
SCALE: 1:1		SHEET 3 OF 3