

安费诺精密连接器(深圳)有限公司
Amphenol PCD Shenzhen
受控文件
2023年9月26日

REV	ECN	DESCRIPTION	DATE	MODIFIED
1		PRE- RELEASE	Sep-15-23	

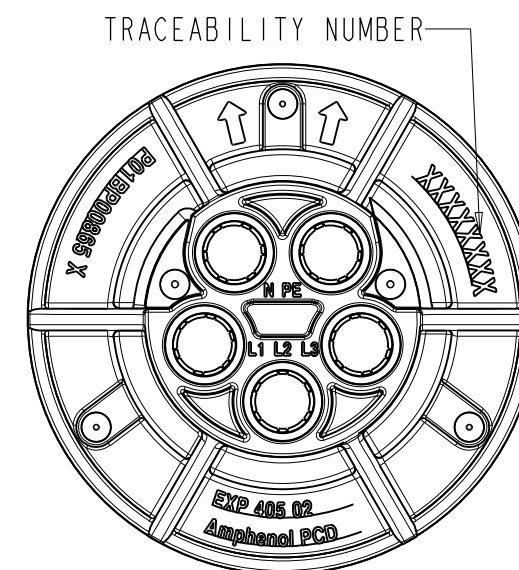
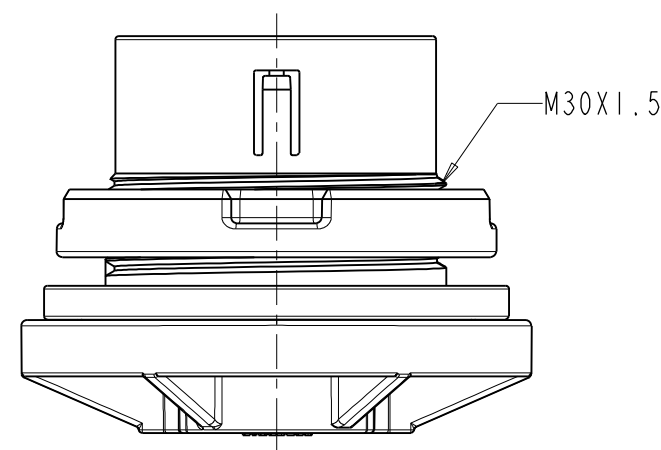
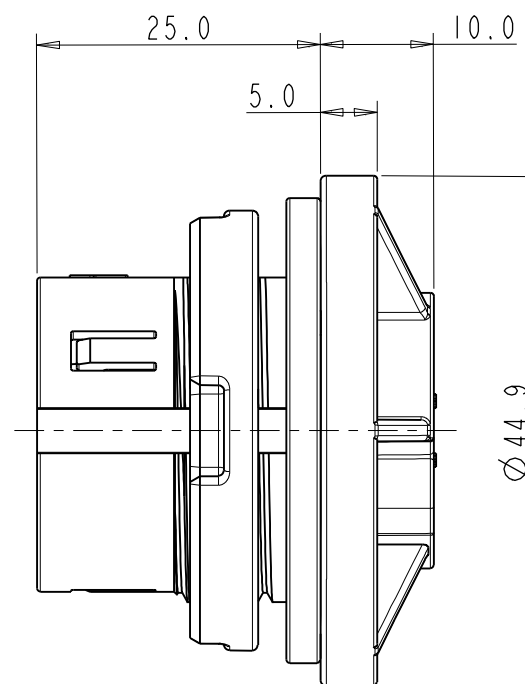
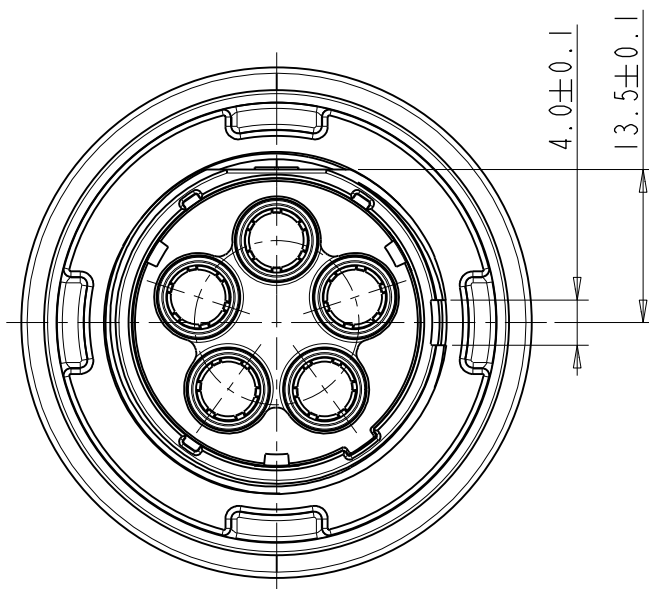
- RECOMMENDED LOCKING TORQUE BETWEEN THE LOCK RING AND THE MAIN BODY(M30): 3.0±10% N.m
- PART NUMBER SPECIFICATION

C-EXP 405 02

RECEPTACLE

3. TECHNICAL DATA:

TECHNICAL DATA		REMARK
VOLTAGE (OVERVOLTAGE CATEGORY 1/ POLLUTION DEGREE 2)	400V AC OR 560V DC	+
WITHSTAND VOLTAGE	2120V AC(RMS)	+
INSULATION RESISTANCE	200 MΩ MIN @25°C	+
RATED CURRENT (6MM ² SHIELD CABLE)	6mm ² :32A @ AMBIENT 70°C 4mm ² :32A @ AMBIENT 70°C 2.5mm ² :23A @ AMBIENT 70°C	+
WATER PROOF (MATED CONDITION)	IP65	+
IP FOR FINGER TOUCH (UNMATED CONDITION)	IP2XB	+
SHIELDING FUNCTION	NO	
DURABILITY	50 CYCLES	◎
AMBIENT TEMPERATURE	-40-70°C	
OPERATING TEMPERATURE	-40-125°C	
RoHS & REACH	YES	+

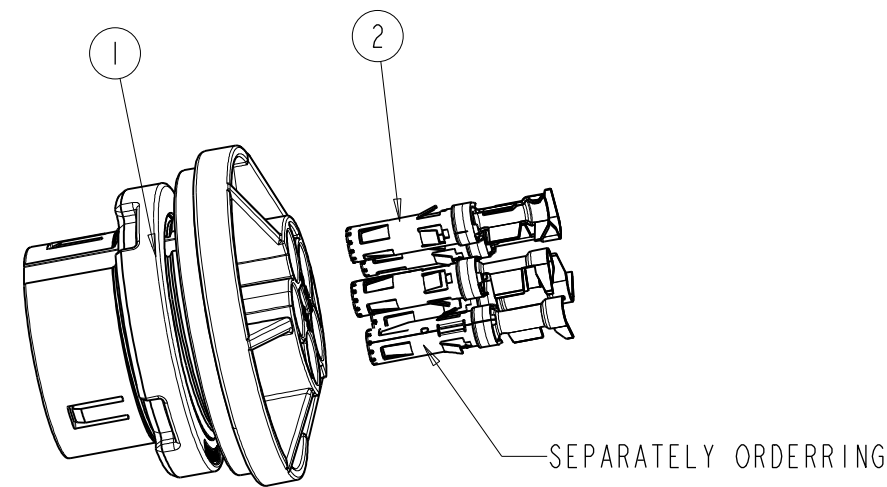
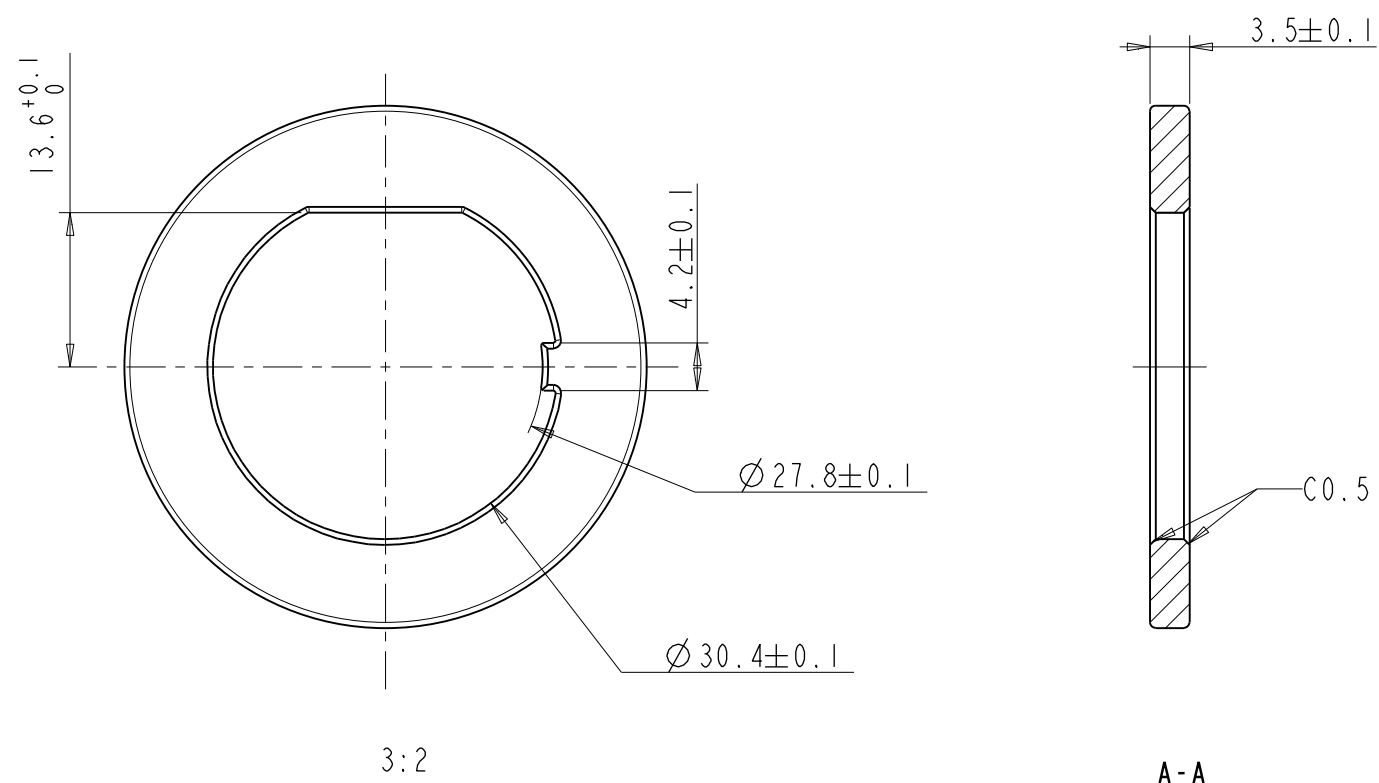


DIMENSIONS	TOLERANCES	PROJECTION	TITLE		
ANSI Y14.5M UNITS: MM Pro/E FILE	.X ±0.5 .XX ±0.05 ANGLES ±2°		EXP 5PIN		
ORIGINAL	THIS DOCUMENT CONTAINS PROPRIETARY INFORMATION WHICH IS THE CONFIDENTIAL PROPERTY OF Amphenol PCD Shenzhen Co. Ltd Amphenol PCD Shenzhen Co. Ltd RESERVES THE RIGHT TO CLARIFY THIS DRAWING	ENGR	SIZE	DWG NO.	REV
		APPD	A3	C-EXP40502	1
			SCALE: 1:1	SHEET 1 OF 2	

+ IS CRITICAL CHARACTERISTICAL SYMBOL
◎ IS IMPORTANT CHARACTERISTICAL SYMBOL

C-EXP40502

RECOMMENDED MOUNTING PLATE



2	C3100050211	POWER CONTACT	5	6mm ²
	C310005021	POWER CONTACT	5	2.5~4.0mm ²
1	EXP40502	RECEPTACLE ASSEMBLY	1	NA
ITEM	PART NO.	DESCRIPTION	Q'TY	REMARK
COMPONENT P/N:C-EXP40502				

安费诺精密连接器(深圳)有限公司
Amphenol PCD Shenzhen
受控文件
2023年9月26日

SIZE A3	DWG NO. C-EXP40502	REV 1
SCALE: 1:1		SHEET 2 OF 2