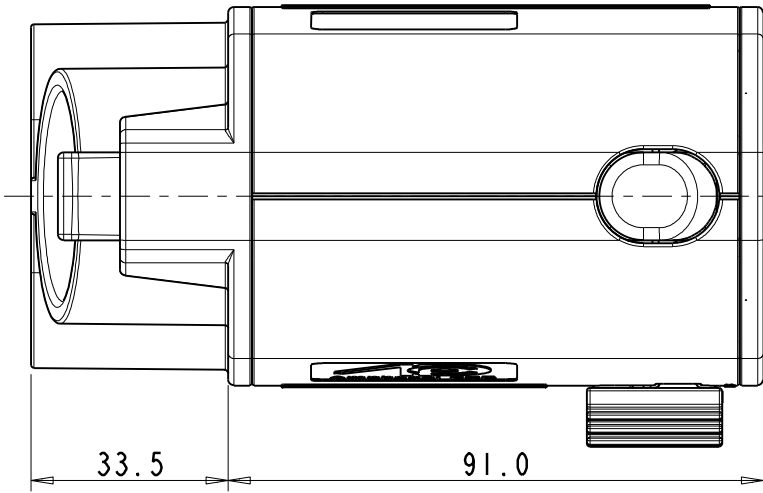


REV	ECN	DESCRIPTION	DATE	MODIFIED
1		PRE-RELEASE	Oct-25-24	

Amphenol PCD SZ
ORIGINAL
PDF Format
R&D

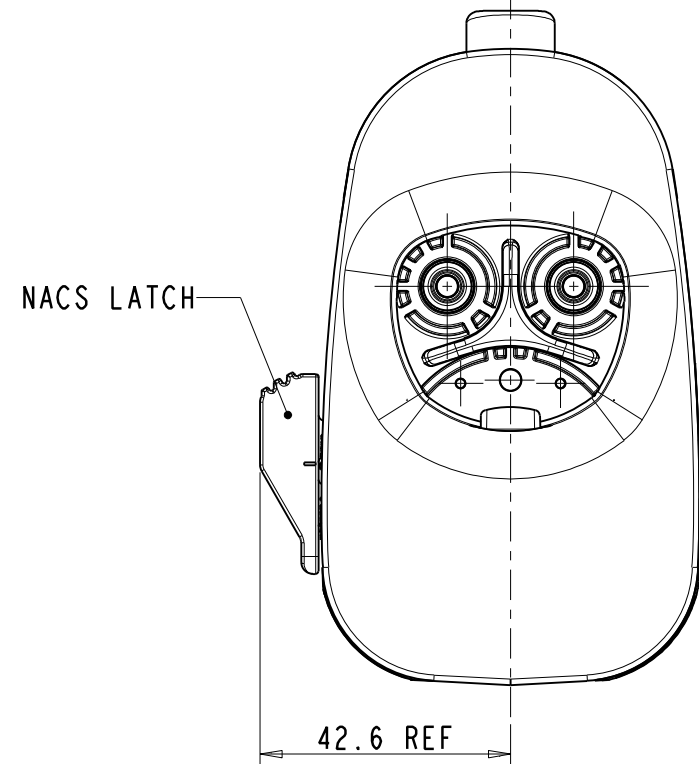
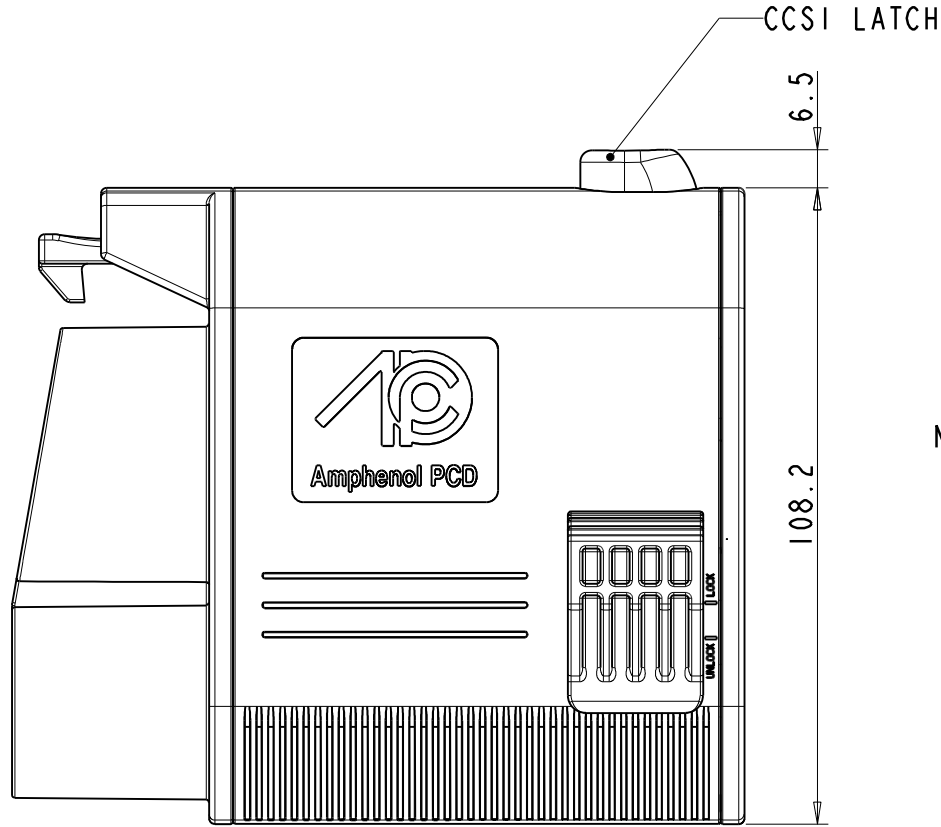
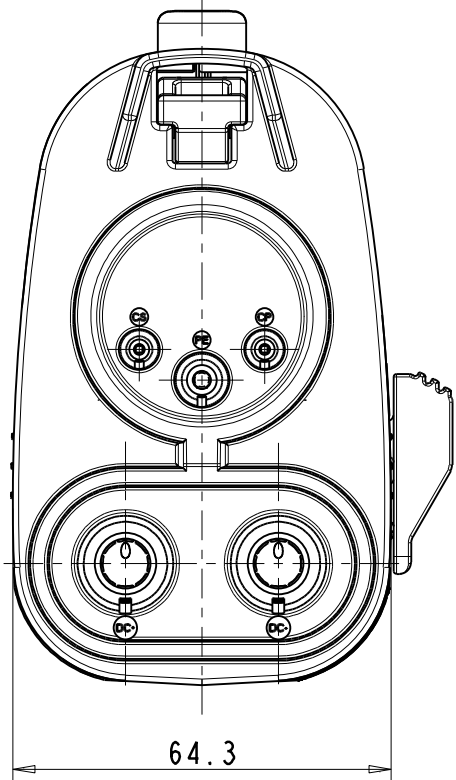
+ CRITICAL CHARACTERISTICS 关键特性
◎ IMPORTANT CHARACTERISTICS 重要特性

TECHNICAL DATA		
CURRENT RATE	POWER: 380A	+
	SIGNAL: 2A	+
VOLTAGE RATE	POWER: 1000V DC	+
	SIGNAL: 30V DC	+
OPERATING TEMPERATURE	-40-105°C	NA
DIELECTRIC WITHSTANDING VOLTAGE	POWER: 3000V AC(DC+VDC-VPE)	+
	Signal: 500V AC(CP/PE)	+
INSULATION RESISTANCE	1000V DC >200MΩ	+
DURABILITY	10000 CYCLES	◎
WATERPROOF	Type 3R(MATED) IP67(INSIDE)	+
AMBIENT TEMPERATURE	-40-40°C	NA



- Note:
1. The adapter can be plugged directly into the CCSI vehicle inlet and the NACS charging plug can be plugged directly into the adapter.
 2. When charging, the electronic lock at the CCSI vehicle inlet locks the CCSI Latch and also locks the NACS charging plug.
 3. When unlocking, press the CCSI Latch to pull the adapter out of the CCSI vehicle inlet, and slide the NACS Latch to UNLOCK to pull the NACS charging plug out of the adapter.

C-HVCONT1001



C-HVCONT1001

DIMENSIONS ANSI Y14.5M UNITS: MM Pro/E FILE	TOLERANCES .X ±0.5 .XX ±0.05 ANGLES ±2.0	PROJECTION 	Amphenol PCD Shenzhen ENGR Oct-25-24			TITLE NACS TO CCSI ADAPTER		
			ORIGINAL	THIS DOCUMENT CONTAINS PROPRIETARY INFORMATION WHICH IS THE CONFIDENTIAL PROPERTY OF Amphenol PCD Shenzhen Co. Ltd RESERVES THE RIGHT TO CLARIFY THIS DRAWING		CHKD APPD	SIZE A3	DWG NO. C-HVCONT1001
			SCALE: 4:5		SHEET 1 OF 2			

安费诺精密连接器(深圳)有限公司
Amphenol PCD Shenzhen
受控文件
2024年12月5日

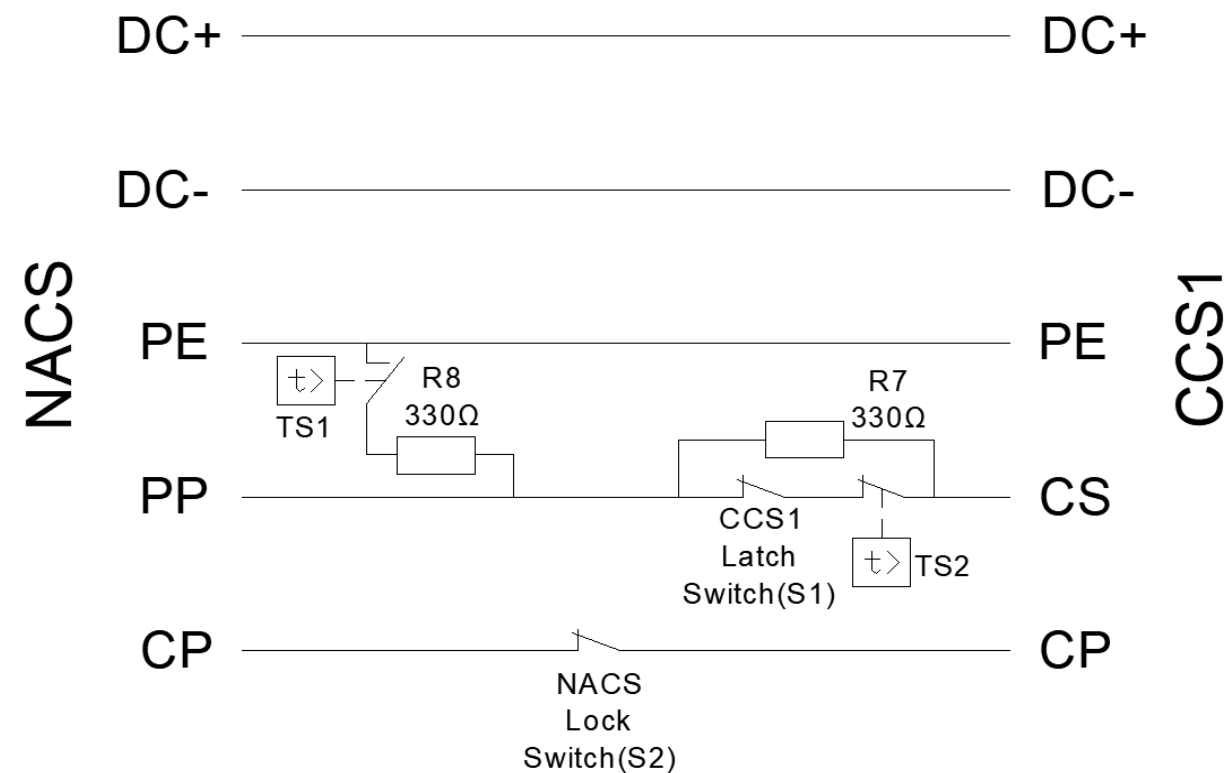
T/N:XXXXXX XX YYMM
6位工单号+2位批次号+年月
字体:Arial 字高2Ref

二维码内容包含:
HVCONT1001#生产工单号#流水号
流水号从:0001开始 内容无空格 用#隔开

TYPE:HVCONT1001
T/N:XXXXXXXX YYWW
Rated:380A,1000Vdc.
A&T:-40°C~+40°C
CAUTION:Not for current interrupting.
CAUTION:Do not use if there is any damage
IP-Class:Type 3R XX



Circuit Schematic



Note:
The temperature switch TS1 is normally disconnected, and automatically connected when the temperature reach 80+/-5°C. TS2 is normally connected, and automatically disconnected when the temperature reach 90+/-5°C.

CN: 中国生产
MX: 墨西哥生产
US: 美国生产

SIZE A3	DWG NO. C-HVCONT1001	REV 1
SCALE: 4:5		SHEET 2 OF 2