



AMPHENOL PCD



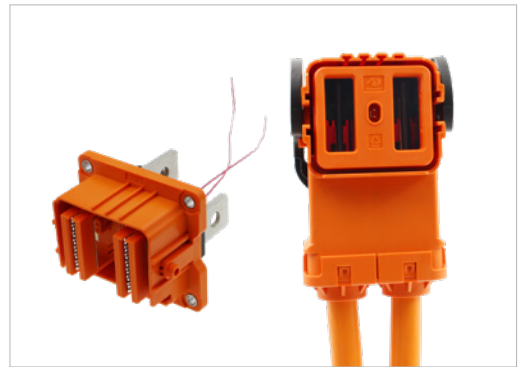
EXCEL | MATE

HVSL Series

Ref. No: HVSL-ALL-0325

www.amphenolpcd.com.cn

HIGHPOWER @ AMPHENOL
TRUSTED GLOBALLY



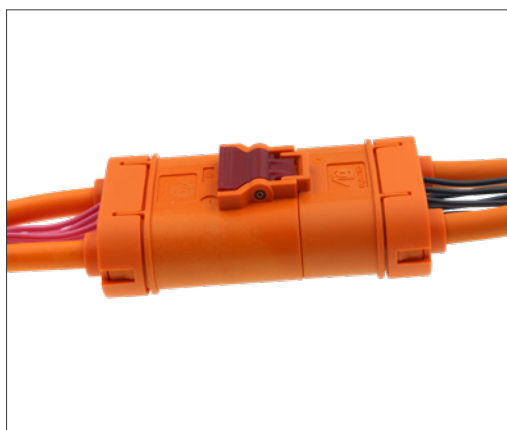
When high-performance and increased safety are required in HEV, Amphenol PCD's **EXCEL | MATE** connectors fulfill the challenge.

HVSL Series is designed for various HEV applications, including power and signal interconnect solutions. Different versions are available, from 1 position to 6 positions and a rated current from 20A to 450A.

Product	HVSL 1400	HVSL 1200	HVSLP 1200	HVSL 1000	HVSLP 1000	HVSL F18	HVSL F300	HVSL 800	HVSLP 800	HVPC 800	HVPC 18	HVSL 800	HVSL 8003	HVSL 600	HVSL 600	HVSL 630	HVSL 633	HVSL 635B	HVSL 280	HVSL 282	HVSL 362	HVSL 364	HVSL 365	HVSL 366
Position	2	2	2	1, 2, 3	2	2	2	2, 3	2	2	2	2	2	2, 3	1	2	3	5	3	2	2	3, 4	5	6
Rated Voltage	1000V	1000V	1000V	1000V	1000V	1000V	1000V	1000V	1000V	1000V	1000V	1000V	1000V	1000V	1000V	1000V	1000V	690V	1000V	1000V	1000V	1000V	1000V	1000V
Rated Current	450A	350A	400A	250A	250A	270A	430A	180A	200A	180A	250A	180A	180A	120A	120A	40A	40A	40A	32A	32A	95A	80A	40A	40A
HVIL	√	√	√	√	√	√	√	√	√	√	√	√	√	√	√	√	√	√	√	√	√	√	√	√
Shielding	√	√	√	√	√	√	√	√	√	√	√	√	√	√	√	√	√	√	√	√	√	√	√	√
Shell	Plastic	Plastic	Plastic	Plastic	Plastic	Plastic	Plastic	Plastic	Plastic	Metal	Metal	Metal	Metal	Metal	Plastic	Plastic	Plastic	Plastic	Plastic	Plastic	Plastic	Plastic	Plastic	Plastic
IP67, IP6K9K	√	√	√	√	√	√	√	√	√	√	√	√	√	√	√	√	√	√	√	√	√	√	√	√
Touch-Proof IP2XB	√	√	√	√	√	√	√	√	√	√	√	√	√	√	√	√	√	√	√	√	√	√	√	√
Cable size mm ²	70 to 120	70 to 95	70 to 95	25 to 70	50 to 70	25 to 70	95 to 120	25 to 50	25 to 50	35 to 50	35 to 70	25 to 50	25 to 50	16 to 25 6/8AWG	25	4 to 6	2.5 to 6	2.5 to 6	2.5 to 4	2.5 to 4	6 to 16	2.5 to 16	2.5 to 6	2.5 to 6
Cable type shielded wire	I	I	I	I	I	I	I	I	I	I	I	I	I	I	I	M	I/M	M	M	I/M	I	I	I	I

Cable type shielded wire
I: Individually / **M:** Multicore

AUTOLOCK



KEY FEATURES

Easy to install, reliable connection

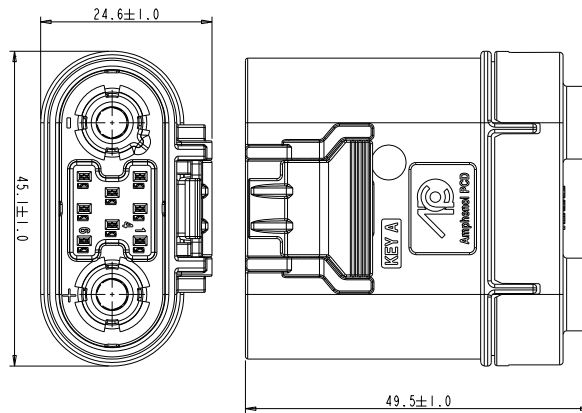
Sealing, IP67
Multiple coding positions

Economical

MECHANICAL	
Wire range	6 to 16 mm ² shielded wire & unshielded wire
Connection type	Crimp
ELECTRICAL	
Rated voltage	1000V DC 600V AC
Rated current	80A Max @ ambient temperature 70°C
Insulator resistance	> 200MΩ
Dielectric withstand voltage	4800V DC 3000V AC
ENVIRONMENTAL	
Sealing	IP67
Temperature range	-40°C to 105°C
STANDARDS	
USCAR-2	
USCAR-37	
ISO19642-5	
RoHS & REACH	

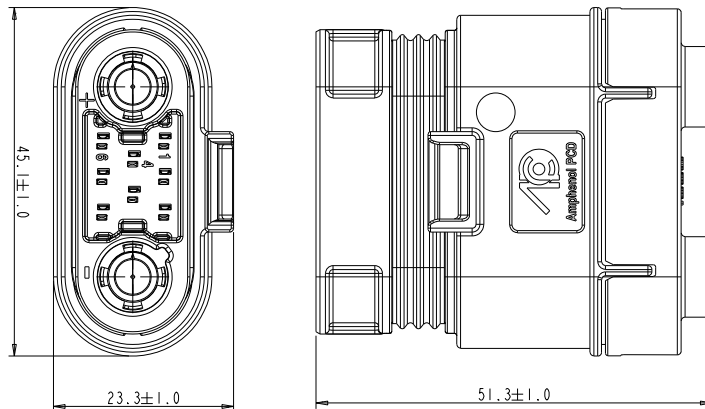
Wire-to-Wire (AUTOLOCK)

Plug: wire-to-wire



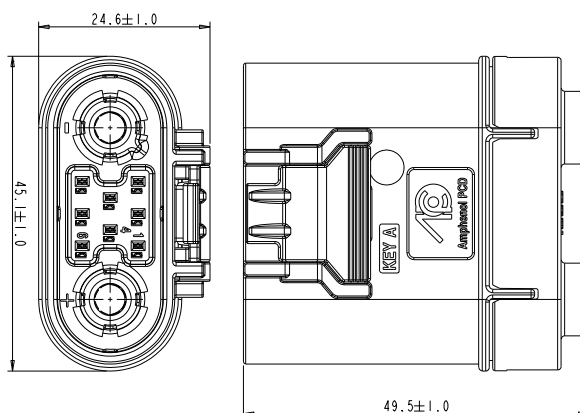
AL4000	62	XX	X	XX
Product type: Plug (180)		Signal Pin: 04: 4 PIN 05: 5 PIN 06: 6 PIN 07: 7 PIN 08: 8 PIN	Coding: A: KEY A B: KEY B	Wire Specification: 06: 6mm ² 10: 10mm ² 16: 16mm ²

Receptacle: wire-to-wire



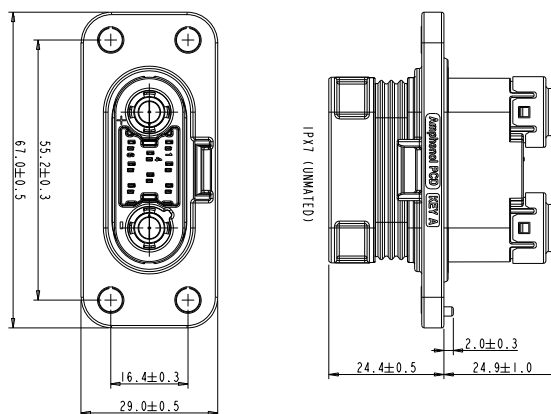
AL4000	22	L	XX	XX
Product type: Socket		Mounting: L: Inline	Signal Pin: 04: 4 PIN 05: 5 PIN 06: 6 PIN 07: 7 PIN 08: 8 PIN	Wire Specification: 06: 6mm ² 10: 10mm ² 16: 16mm ²

Plug: wire-to-board



AL4000	62	XX	X	XX
Product type:	Plug (180)	Signal Pin:	Coding:	Wire Specification:
		04: 4 PIN	A: KEY A	06: 6mm ²
		05: 5 PIN	B: KEY B	10: 10mm ²
		06: 6 PIN		16: 16mm ²
		07: 7 PIN		
		08: 8 PIN		

Receptacle: wire-to-board



AL4000	22	F	XX	X	XX	X	X
Product type:	Receptacle	Mounting:	Signal Pin:	Coding:	Wire Specification:	IP Rate:	Protection Cap:
		F: Front Mounting	04: 4 PIN	A: KEY A	06: 6mm ²	0: None	0: Without
			05: 5 PIN	B: KEY B	10: 10mm ²	1: IPX7 (unmated)	1: With
			06: 6 PIN		16: 16mm ²		
			07: 7 PIN				
			08: 8 PIN				

Amphenol PCD Shenzhen

Building C
Dagang Industrial Zone
Guangming District
Shenzhen 518132
China

Tel.: +86 755-8173-8000
Email: inquiry@amphenolpcd.com.cn

www.amphenolpcd.com.cn



Notes:

Amphenol PCD Shenzhen has made every effort to ensure that the information contained in this catalog is accurate at the time of publication. Specifications or information stated in this publication are subject to change without notice.

Amphenol PCD Shenzhen reserves the right to clarify this catalog.