



AMPHENOL PCD



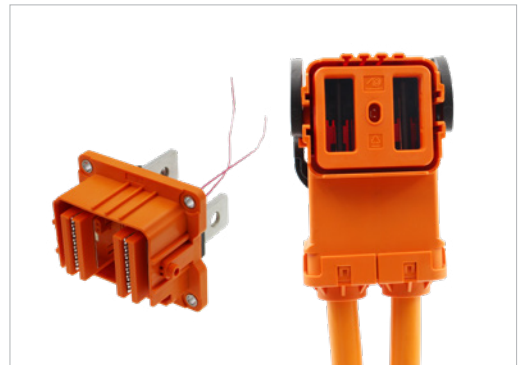
EXCEL | MATE

HVSL Series

Ref. No: HVSL-ALL-0325

www.amphenolpcd.com.cn

HIGHPOWER @ AMPHENOL
TRUSTED GLOBALLY



When high-performance and increased safety are required in HEV, Amphenol PCD's **EXCEL | MATE** connectors fulfill the challenge.

HVSL Series is designed for various HEV applications, including power and signal interconnect solutions. Different versions are available, from 1 position to 6 positions and a rated current from 20A to 450A.

Product	HVSL 1400	HVSL 1200	HVSLP 1200	HVSL 1000	HVSLP 1000	HVSL F18	HVSL F300	HVSL 800	HVSLP 800	HVPC 800	HVPC 18	HVSL 800	HVSL 8003	HVSL 600	HVSL 600	HVSL 630	HVSL 633	HVSL 635B	HVSL 280	HVSL 282	HVSL 362	HVSL 364	HVSL 365	HVSL 366
Position	2	2	2	1, 2, 3	2	2	2	2, 3	2	2	2	2	2	2, 3	1	2	3	5	3	2	2	3, 4	5	6
Rated Voltage	1000V	1000V	1000V	1000V	1000V	1000V	1000V	1000V	1000V	1000V	1000V	1000V	1000V	1000V	1000V	1000V	1000V	690V	1000V	1000V	1000V	1000V	1000V	1000V
Rated Current	450A	350A	400A	250A	250A	270A	430A	180A	200A	180A	250A	180A	180A	120A	120A	40A	40A	40A	32A	32A	95A	80A	40A	40A
HVIL	√	√	√	√	√	√	√	√	√	√	√	√	√	√	√	√	√	√	√	√	√	√	√	√
Shielding	√	√	√	√	√	√	√	√	√	√	√	√	√	√	√	√	√	√	√	√	√	√	√	√
Shell	Plastic	Plastic	Plastic	Plastic	Plastic	Plastic	Plastic	Plastic	Plastic	Metal	Metal	Metal	Metal	Metal	Plastic	Plastic	Plastic	Plastic	Plastic	Plastic	Plastic	Plastic	Plastic	Plastic
IP67, IP6K9K	√	√	√	√	√	√	√	√	√	√	√	√	√	√	√	√	√	√	√	√	√	√	√	√
Touch-Proof IP2XB	√	√	√	√	√	√	√	√	√	√	√	√	√	√	√	√	√	√	√	√	√	√	√	√
Cable size mm ²	70 to 120	70 to 95	70 to 95	25 to 70	50 to 70	25 to 70	95 to 120	25 to 50	25 to 50	35 to 50	35 to 70	25 to 50	25 to 50	16 to 25 6/8AWG	25	4 to 6	2.5 to 6	2.5 to 6	2.5 to 4	2.5 to 4	6 to 16	2.5 to 16	2.5 to 6	2.5 to 6
Cable type shielded wire	I	I	I	I	I	I	I	I	I	I	I	I	I	I	I	M	I/M	M	M	I/M	I	I	I	I

Cable type shielded wire
I: Individually / **M:** Multicore

EXCEL | MATE PT (HVPT - PASS-THROUGH WITH CABLE GLAND)



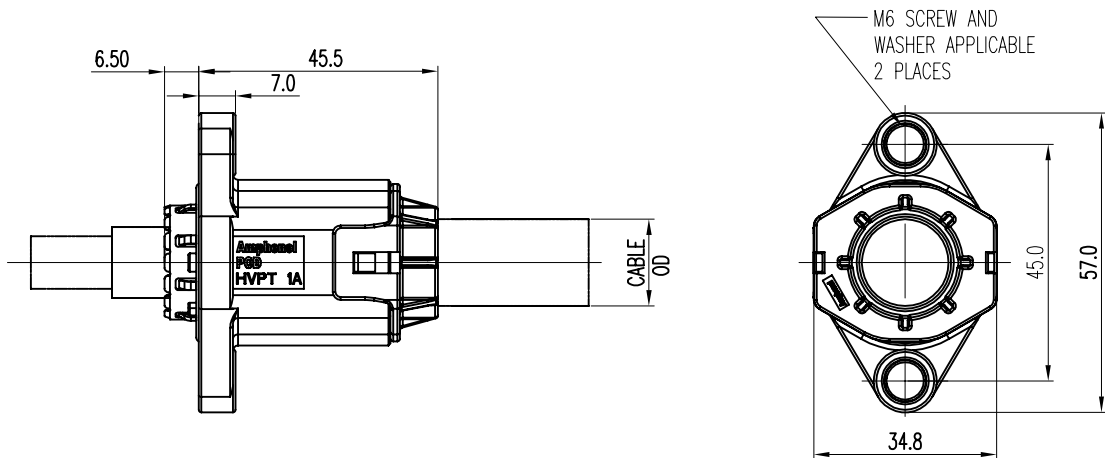
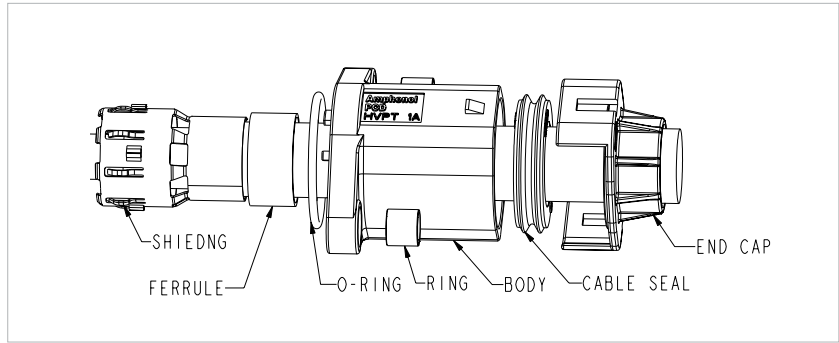
MECHANICAL	
Wire range	25 to 70 mm ² shielded wires
Connection type	Crimping
ELECTRICAL	
Rated voltage	1000V DC
Dielectric withstand voltage	3000V AC
Shielding	360° from wire to device
ENVIRONMENTAL	
Sealing	IP67, IP6K9K
Temperature range	-40°C to 125°C
STANDARDS	
USCAR-2	
USCAR-37	
LV-215	
RoHS & REACH	
MATERIAL	
Housing	PA66 + GF

KEY FEATURES

- 1 to 3 positions available
- Light in weight with plastic shell
- Easy to install, reliable connection
- Sealing, IP67, IP6K9K
- Multiple coding positions
- 360° shielded from wire to device
- Economical

Excel|Mate PT (HVPT)

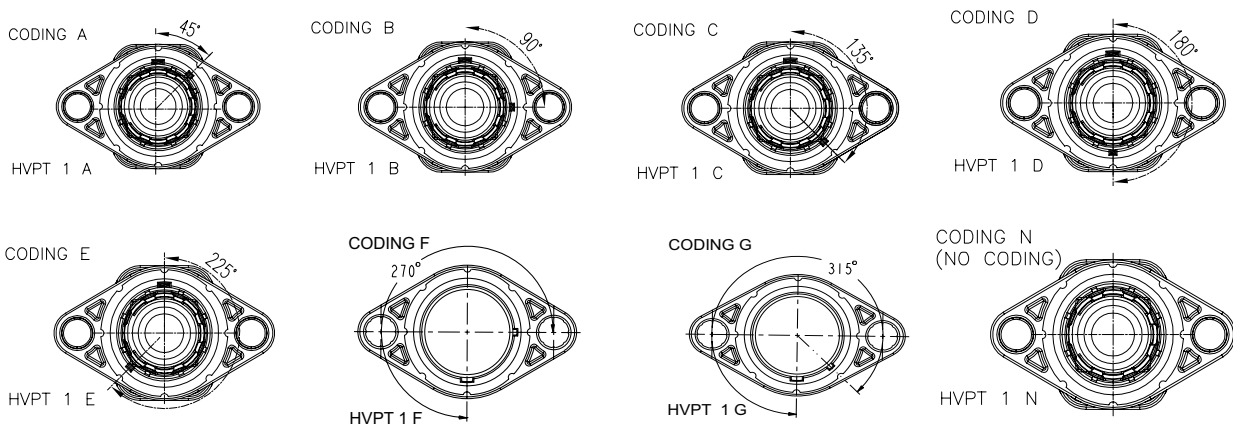
1 POSITION PASS-THROUGH



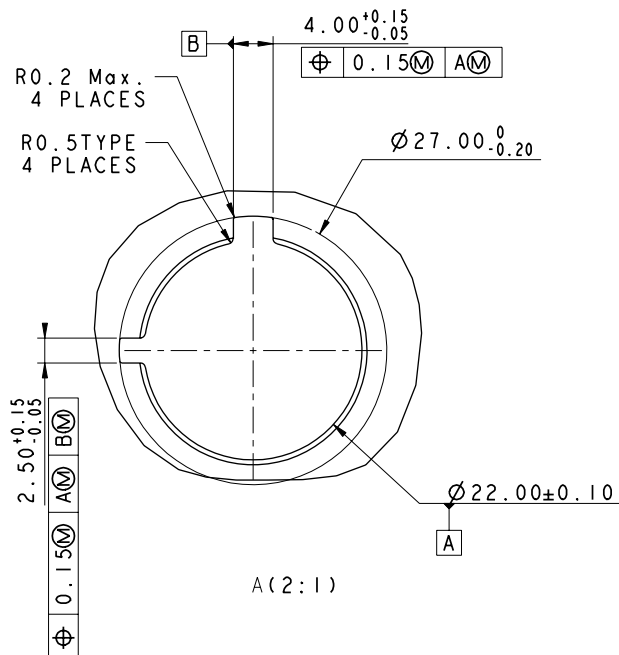
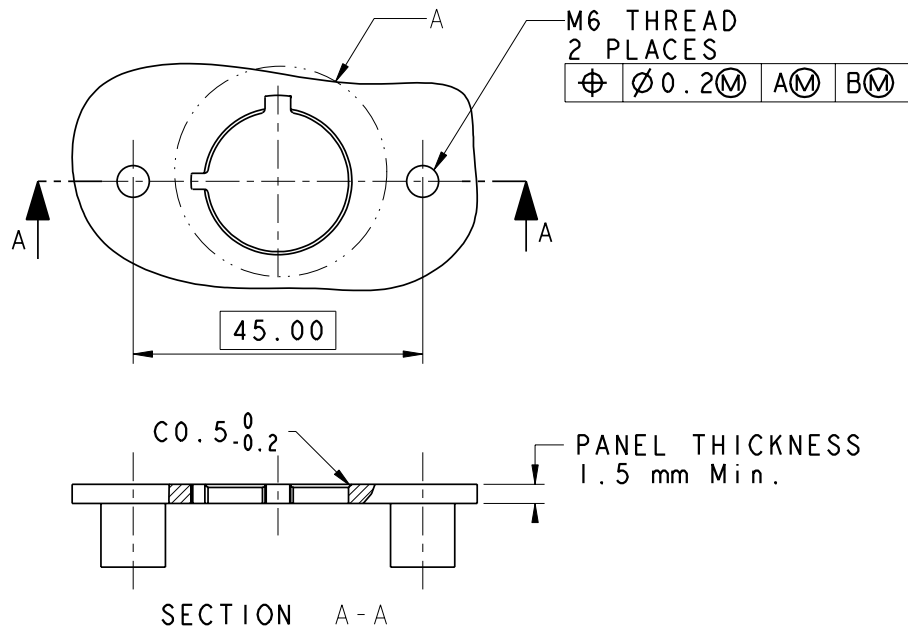
CONTACTS

Part number	Conductor cross section (mm ²)	Cable OD
HVPT 1 X 70	70	19.0±0.4
HVPT 1 X 50	50	16.5±0.4
HVPT 1 X 35	35	14.2±0.4
HVPT 1 X 25	25	11.9±0.4

INSERT ORIENTATIONS

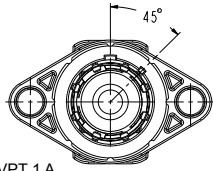


PANEL MOUNTING DIMENSIONS



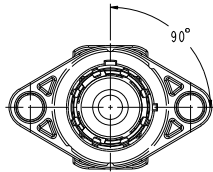
PANEL MOUNTING DIMENSIONS

CODING A



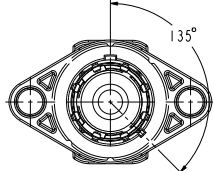
HVPT 1 A

CODING B



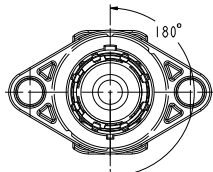
HVPT 1 B

CODING C



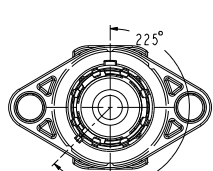
HVPT 1 C

CODING D



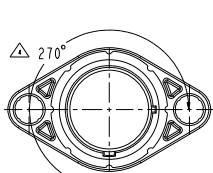
HVPT 1 D

CODING E



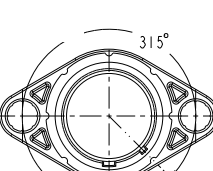
HVPT 1 E

CODING F



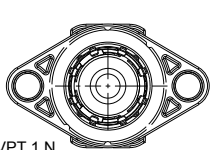
HVPT 1 F

CODING G



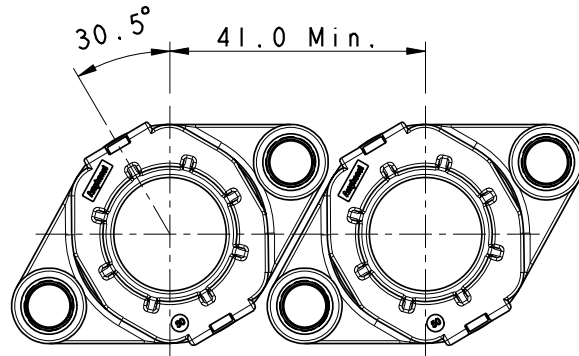
HVPT 1 G

NO CODING (N)

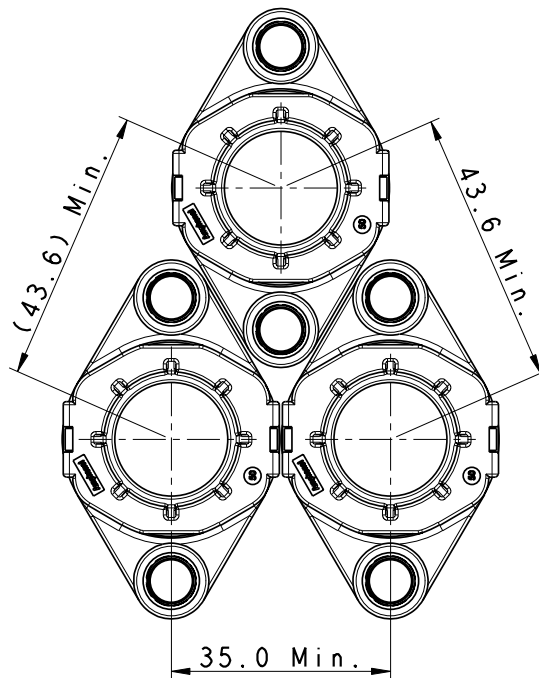


HVPT 1 N

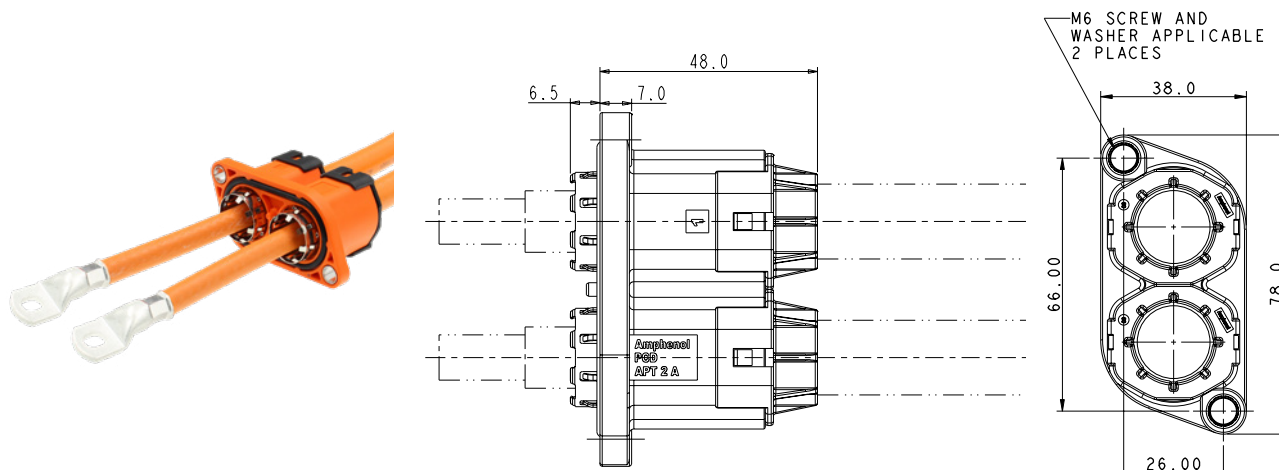
RECOMMENDED LAYOUT FOR 2 UNITS



RECOMMENDED LAYOUT FOR 3 UNITS



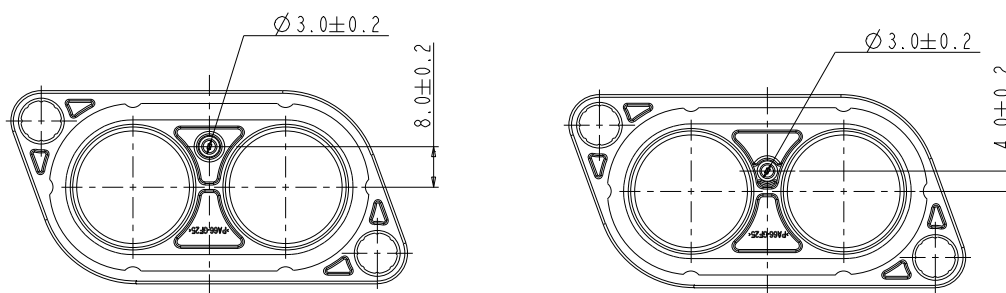
2 POSITION PASS-THROUGH



CONTACTS

Part number	Conductor cross section (mm ²)	Cable OD
HVPT 2 X 70	70	19.0±0.4
HVPT 2 X 50	50	16.5±0.4
HVPT 2 X 35	35	14.2±0.4
HVPT 2 X 25	25	11.9±0.4

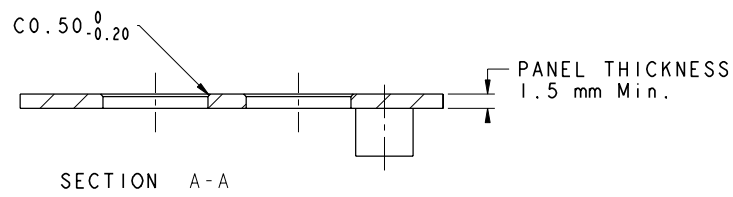
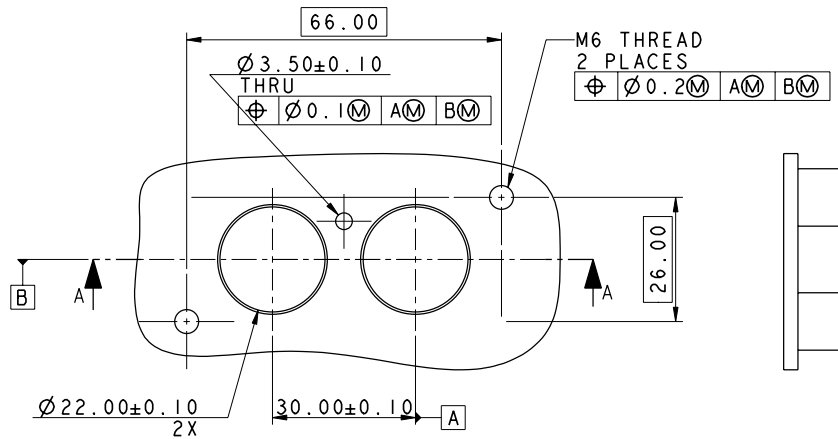
INSERT ORIENTATIONS



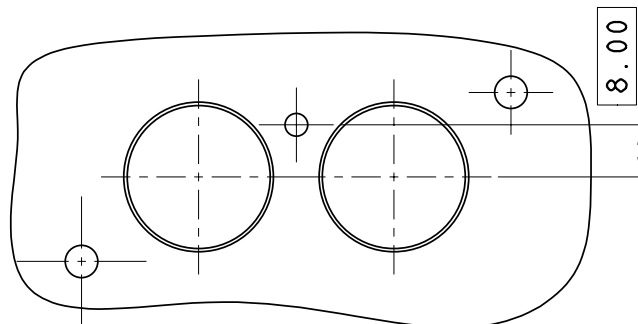
HVPT 2 A

HVPT 2 B

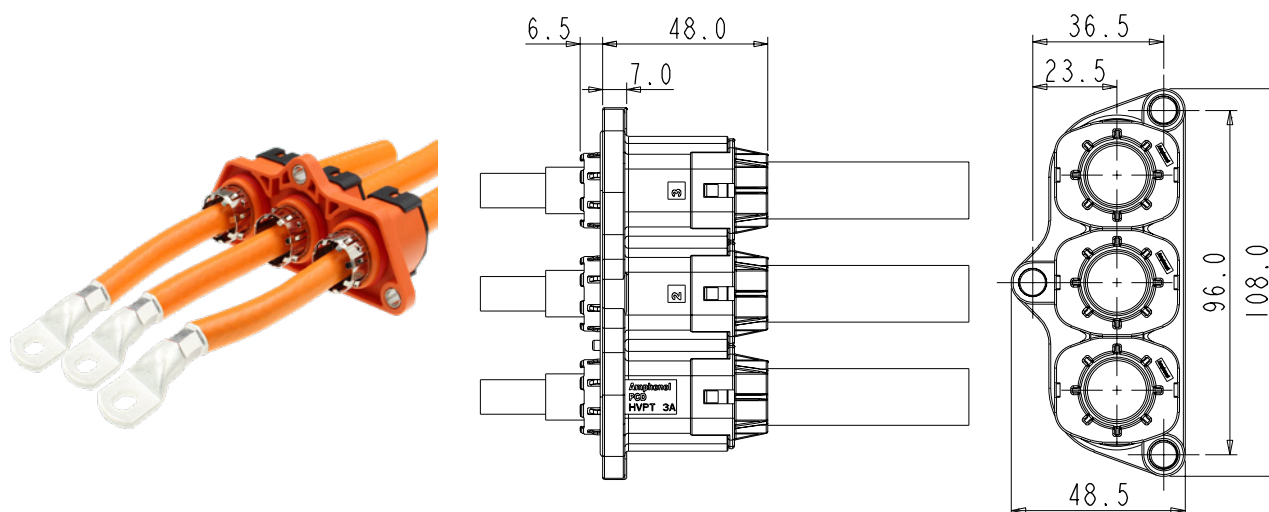
PANEL MOUNTING DIMENSION



CODING A



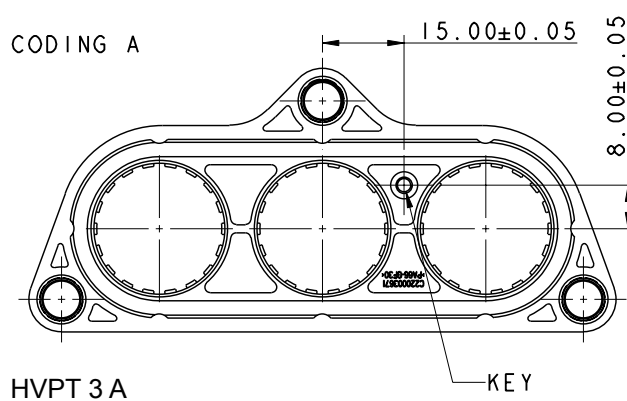
3 POSITION PASS-THROUGH



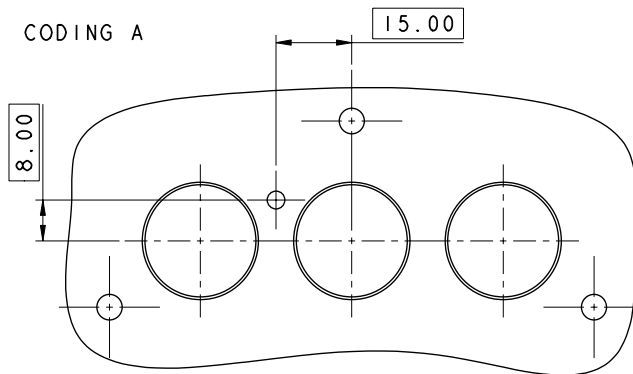
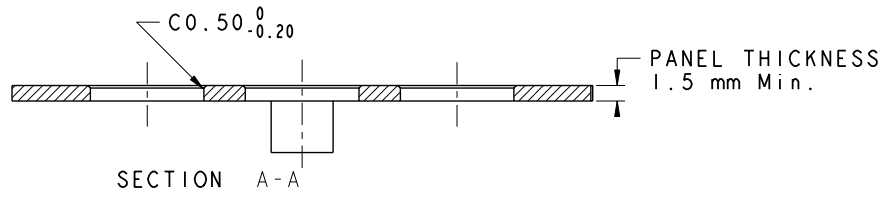
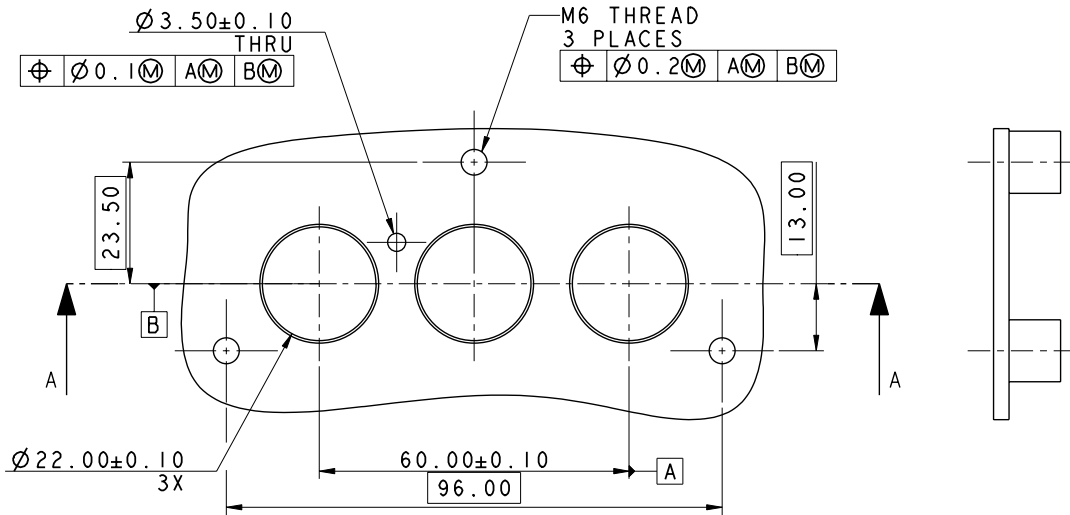
CONTACTS

Part number	Conductor cross section (mm ²)	Cable OD
HVPT 3 X 70	70	19.0±0.4
HVPT 3 X 50	50	16.5±0.4
HVPT 3 X 35	35	14.2±0.4
HVPT 3 X 25	25	11.9±0.4

INSERT ORIENTATIONS



PANEL MOUNTING DIMENSIONS



HVPT B PASS-THROUGH

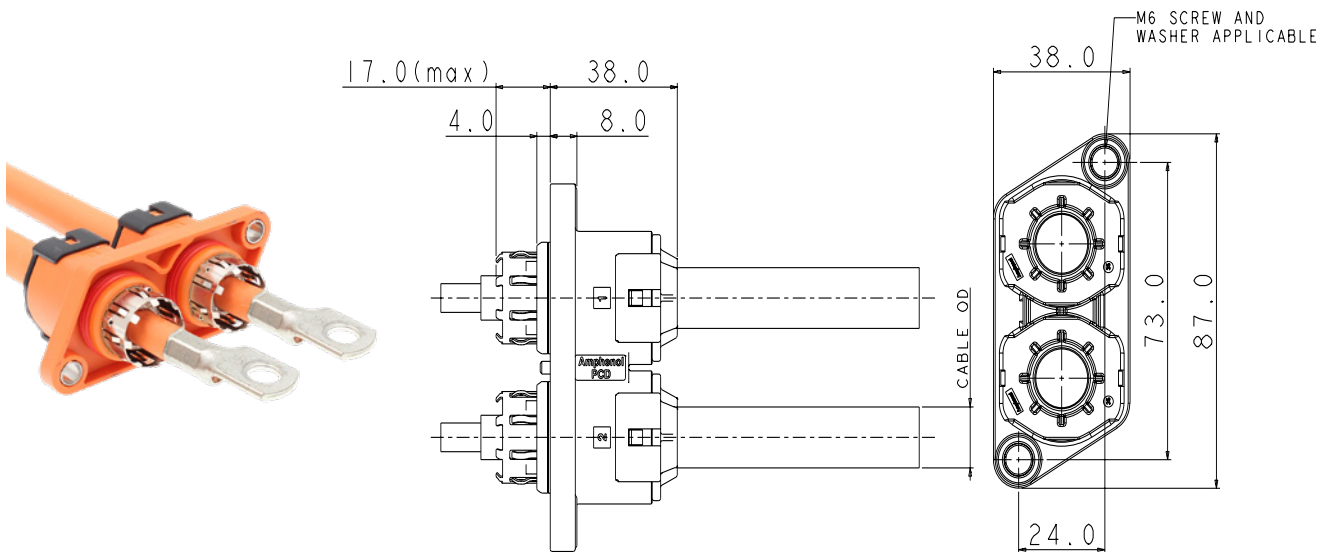


KEY FEATURES

- 2 & 3 positions available
- Light in weight with plastic shell
- Easy to install, reliable connection
- Sealing, IP67 & IP6K9K (mated)
- Multiple coding positions
- 360° shielded from wire to device
- Economical

MECHANICAL	
Wire range	25 to 70 mm ² shielded wires
Connection type	Crimping
ELECTRICAL	
Rated voltage	1000V DC
Dielectric withstand voltage	3000V AC
Shielding	360° from wire to device
ENVIRONMENTAL	
Sealing	IP67, IP6K9K
Temperature range	-40°C to 125°C
STANDARDS	
USCAR-2	
USCAR-37	
LV-215	
RoHS & REACH	
MATERIAL	
Housing	PA66 + GF

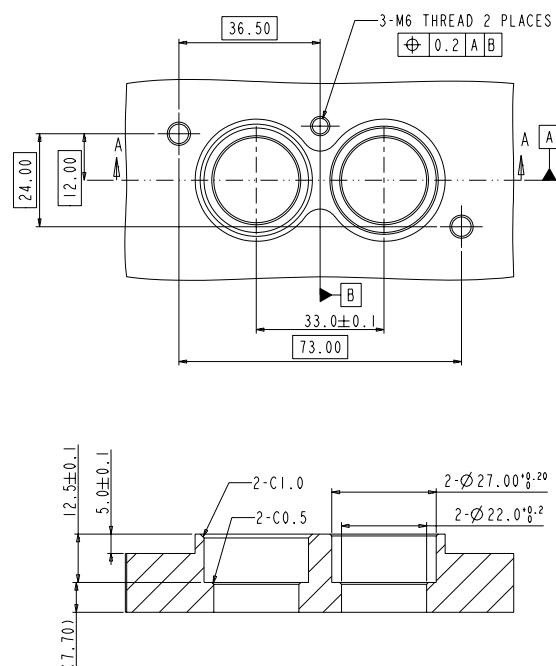
HVPTB 2 POSITION PASS-THROUGH



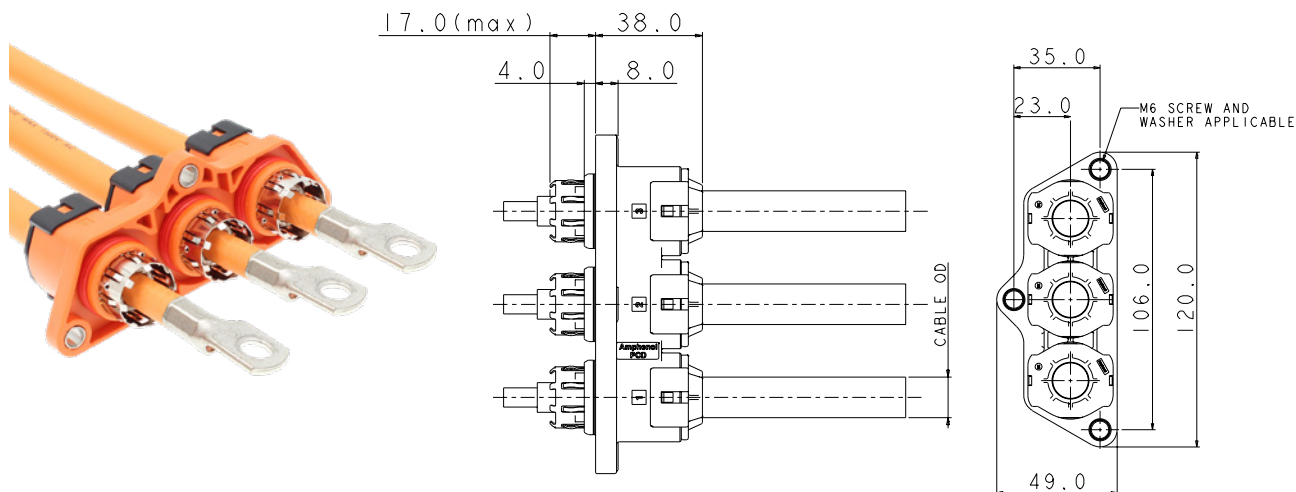
PART NUMBER

Part number	Conductor cross section (mm ²)	Cable OD
HVPTB 2 B 70	70	19.0±0.4
HVPTB 2 B 50	50	16.5±0.4
HVPTB 2 B 35	35	14.2±0.4
HVPTB 2 B 25	25	11.9±0.4

PANEL MOUNTING DIMENSIONS



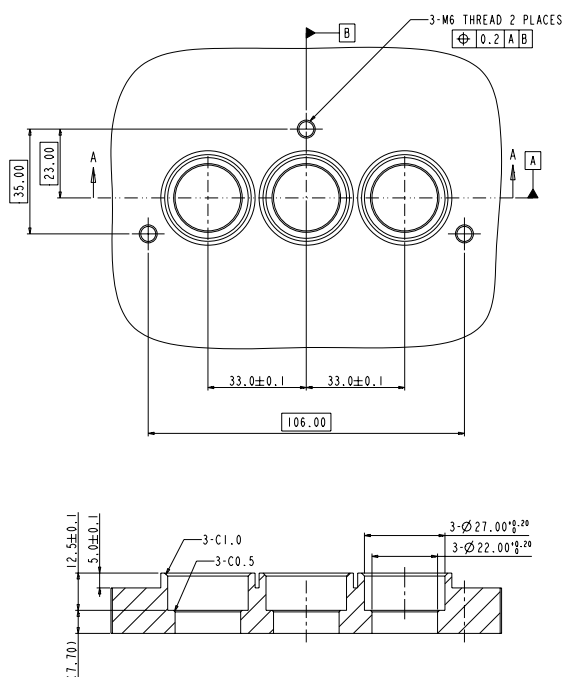
HVPTB 3 POSITION PASS-THROUGH



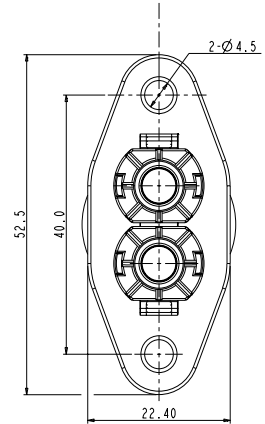
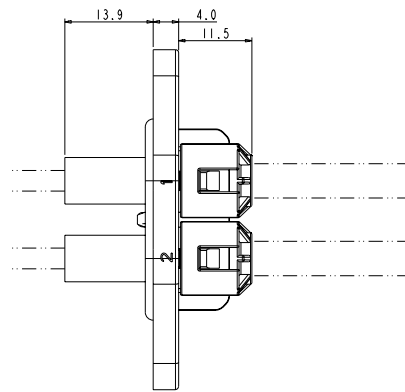
PART NUMBER

Part number	Conductor cross section (mm ²)	Cable OD
HVPTB 3 N 70	70	19.0±0.4
HVPTB 3 N 50	50	16.5±0.4
HVPTB 3 N 35	35	14.2±0.4
HVPTB 3 N 25	25	11.9±0.4

PANEL MOUNTING DIMENSIONS



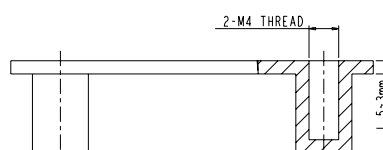
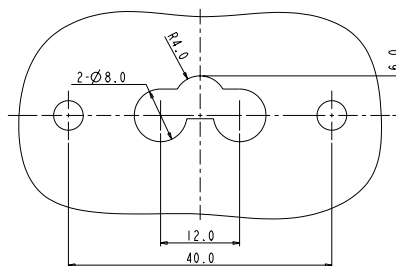
HVPTB 2A POSITION PASS-THROUGH



PART NUMBER

Part number	Conductor cross section (mm ²)	Cable OD (mm)
HVPTB 2A 03	2.5 / 3.0	5.2 ± 0.2

PANEL MOUNTING DIMENSIONS



HVPC PASS-THROUGH

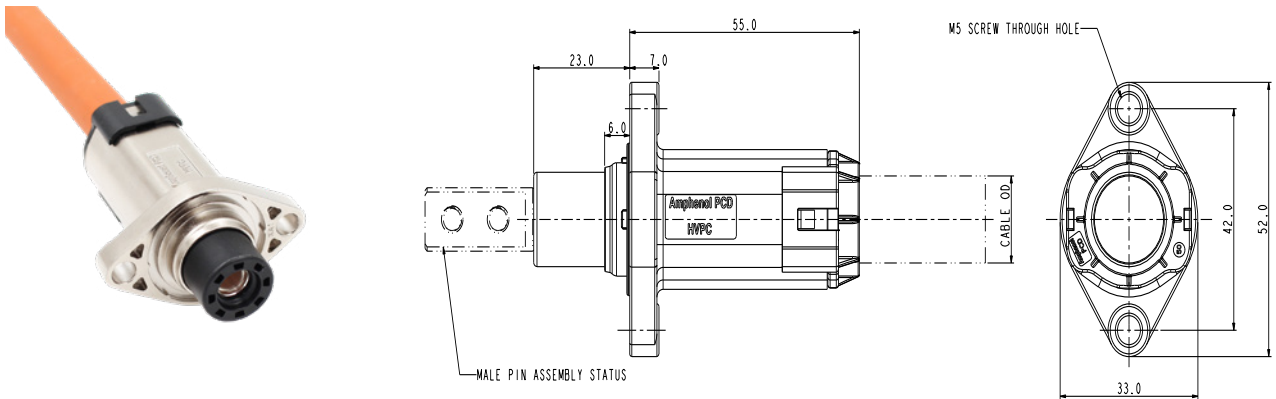


KEY FEATURES

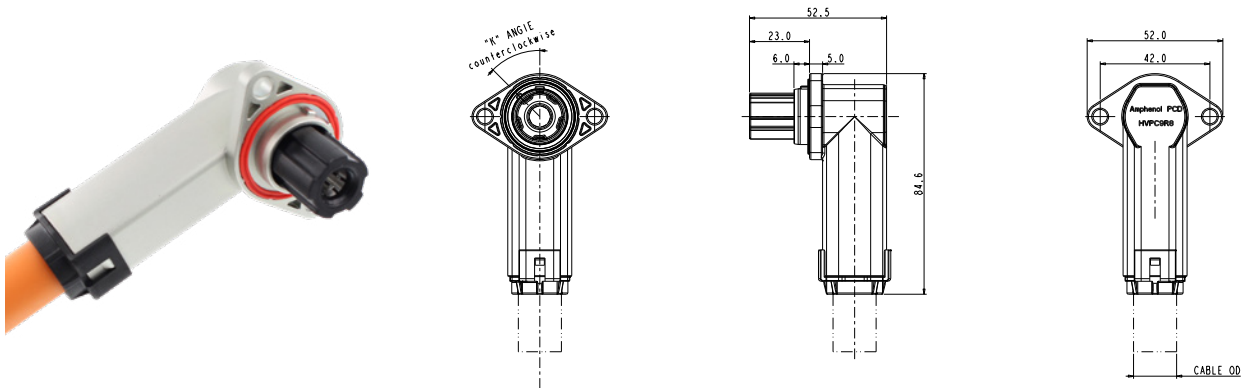
- Easy to install, reliable connection
- Sealing, IP67, IP6K9K (mated)
- Multiple coding positions
- 360° shielded from wire to device
- Economical

MECHANICAL	
Durability	≥ 50 mating cycles
Wire range	35 to 50 mm ² shielded wire
Insertion and extraction force	< 100N
Connection type	Crimp
ELECTRICAL	
Rated voltage	1000V DC
Rated current	Max 180A @ ambient temperature 70°C
Insulator resistance	> 100MΩ
Dielectric withstand voltage	3000V AC
Shielding	360° from wire to device
ENVIRONMENTAL	
Sealing	IP67, IP6K9K (mated)
Temperature range	-40°C to 125°C
Salt spray	96 hours
Touch-proof	IP2XB
STANDARDS	
USCAR-2	
USCAR-37	
LV-215	
RoHS & REACH	
MATERIAL	
Housing	Metal

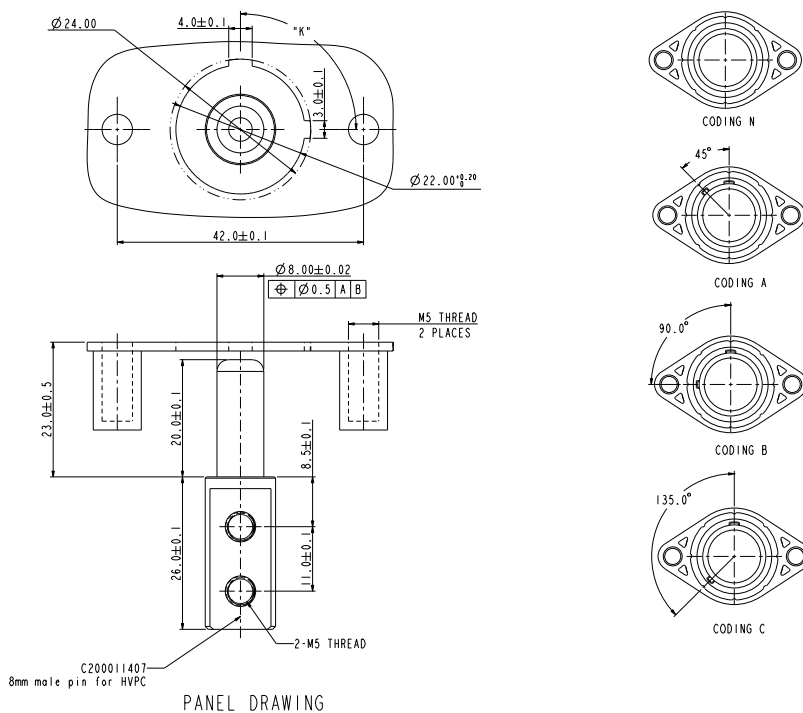
HVPC 1 POSITION PASS-THROUGH



HVPC 1 POSITION RIGHT-ANGLE



PANEL MOUNTING DIMENSIONS

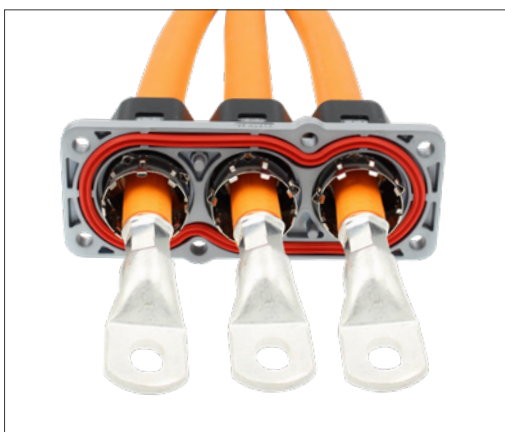


HOW TO ORDER

	HVPC	7	R8	1	A	35
Product type:						
7: Straight						
9: Right angle						
Insert size:						
R8: 8mm pin contact						
Position:						
1: 1 position						
Coding:						
A: Coding A						
B: Coding B						
C: Coding C						
D: Coding D (Right-Angle only)						
E: Coding E (Right-Angle only)						
N: Coding N (Straight only)						
Wire type:						
35: 35mm ² shielded wire						
50: 50mm ² shielded wire						

Excel|Mate PT (HVPT M)

HVPT M



KEY FEATURES

Easy to install, reliable connection

Sealing, IP67, IP6K9K (mated)

Multiple coding positions

360° shielded from wire to device

Economical

MECHANICAL

Wire range	70 to 150 mm ² shielded wire
------------	---

Connection type	Crimp
-----------------	-------

ELECTRICAL

Voltage rating (cable)	1000V DC
------------------------	----------

Insulator resistance	> 200MΩ
----------------------	---------

Shielding	360° from wire to device
-----------	--------------------------

ENVIRONMENTAL

Sealing	IP67, IP6K9K (mated)
---------	----------------------

Temperature range	-40°C to 125°C
-------------------	----------------

Salt spray	500 hours
------------	-----------

STANDARDS

USCAR-2	
---------	--

USCAR-37	
----------	--

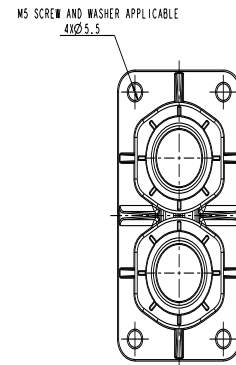
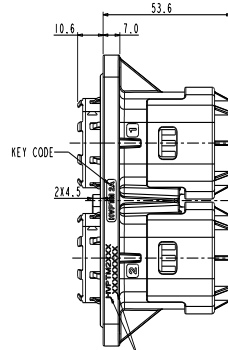
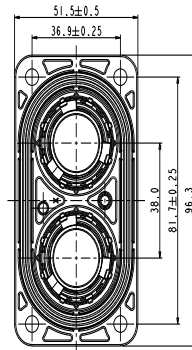
LV-216-2	
----------	--

RoHS & REACH	
--------------	--

MATERIAL

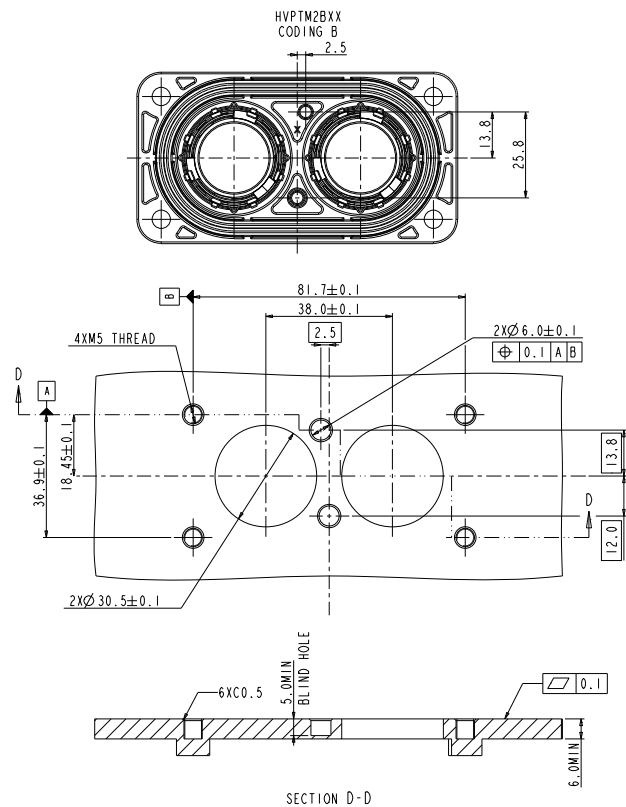
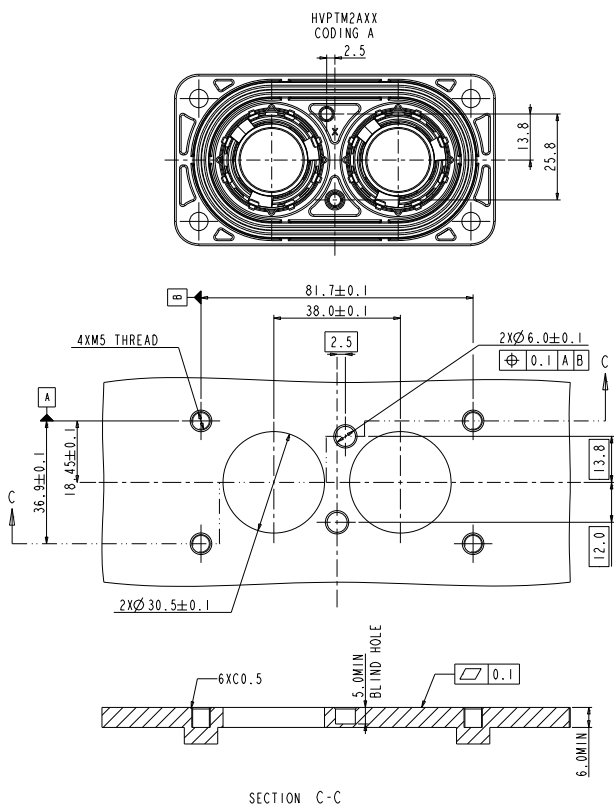
Housing	Metal
---------	-------

HVPT M 2-PIN

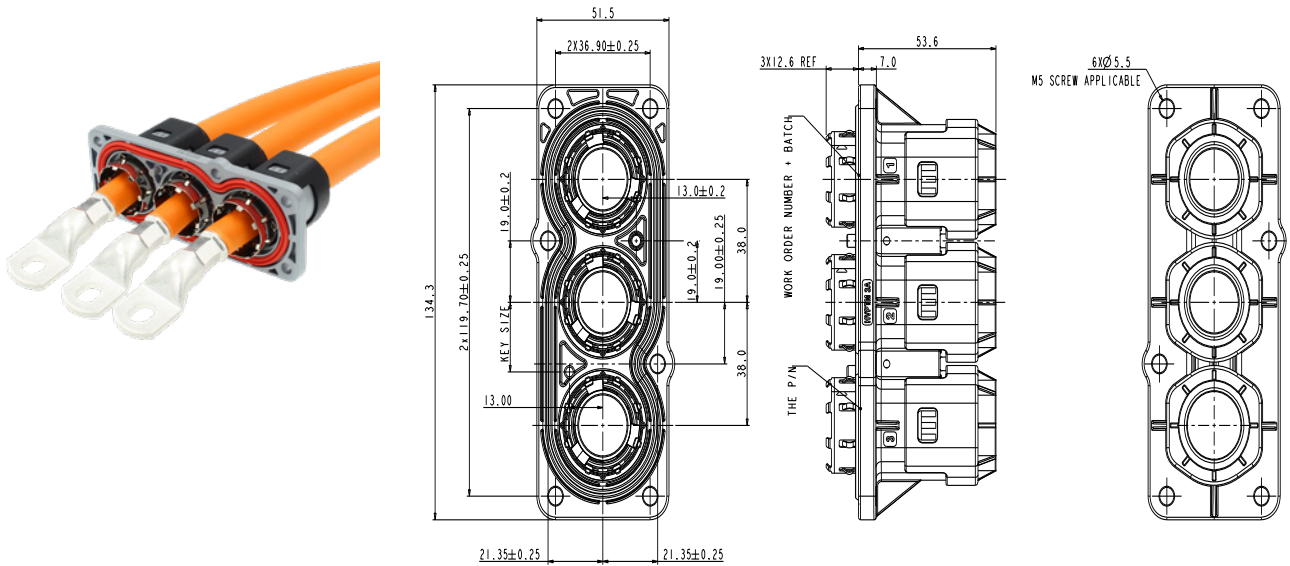


PRINTING CONTENT:
THE FIRST ROW IS P/N (PRINT THE FULL CODE)
THE SECOND ROW IS WORK ORDER NUMBER + BATCH

PANEL MOUNTING DIMENSION

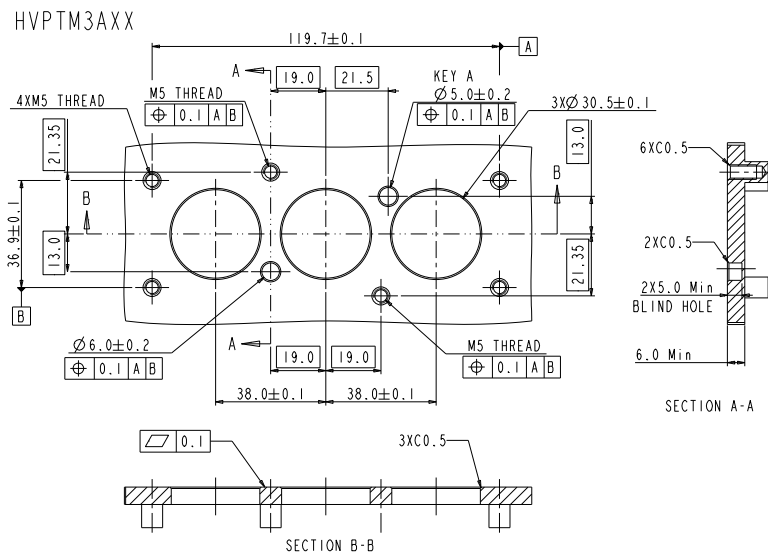


HVPT M 3-PIN

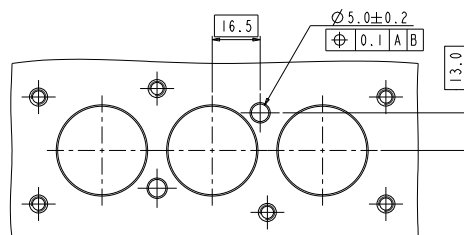


PANEL MOUNTING DIMENSION

MOUNTING PANEL RECOMMENDATION



HVPTM3BXX



HOW TO ORDER: PLUG

	HVPT M	2	A	01
Position:				
2:	2 positions			
3:	3 positions			
Coding:				
A:	Coding A			
B:	Coding B			
Wire type:				
01:	95mm ² shielded wire			
02:	120mm ² shielded wire			
03:	70mm ² shielded wire			
04:	150mm ² shielded wire			

Excel|Mate PT (HVPT BM)

HVPT BM



KEY FEATURES

Easy to install, reliable connection

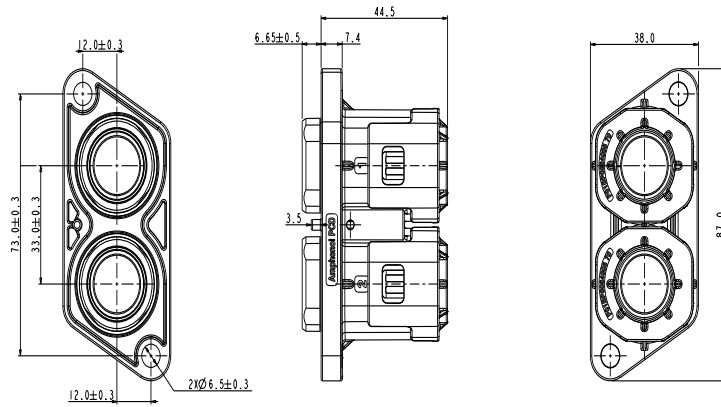
Sealing, IP67, IP6K9K (mated)
Multiple coding positions

360° shielded from wire to device

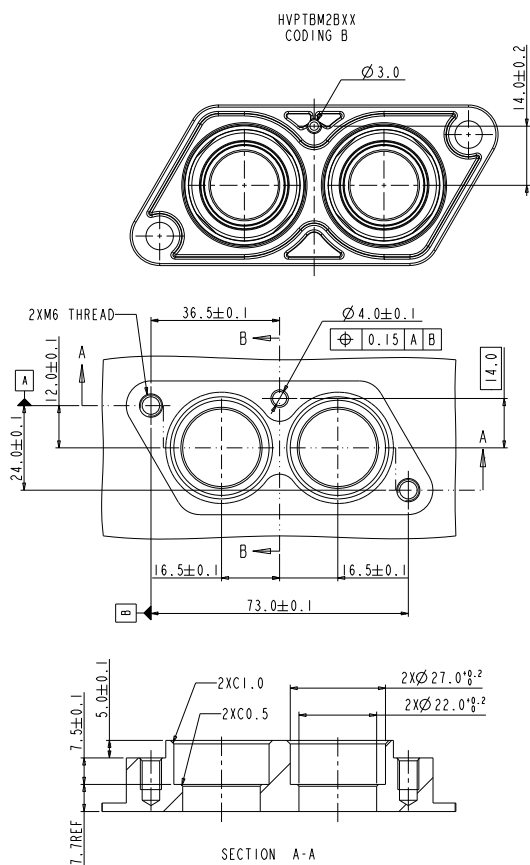
Economical

MECHANICAL	
Wire range	16 to 70 mm ² shielded wire
Connection type	Crimp
ELECTRICAL	
Voltage rating (cable)	1000V DC
Insulator resistance	> 200MΩ
Shielding	360° from wire to device
ENVIRONMENTAL	
Sealing	IP67, IP6K9K (mated)
Temperature range	-40°C to 125°C
Salt spray	500 hours
STANDARDS	
USCAR-2	
USCAR-37	
LV-216-2	
RoHS & REACH	
MATERIAL	
Housing	Metal

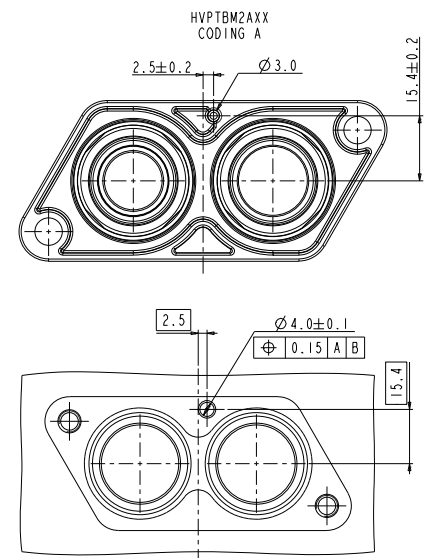
HVPT M 2-PIN



PANEL MOUNTING DIMENSION



MOUNTING PANEL RECOMMENDED DIMENSIONS



MOUNTING PANEL RECOMMENDED DIMENSIONS

HOW TO ORDER: PLUG

	HVPT BM	2	A	01
Position:				
2: 2 positions				
Coding:				
A: Coding A				
B: Coding B				
Wire type:				
01: 16mm ² shielded wire				
02: 25mm ² shielded wire				
03: 35mm ² shielded wire				
04: 50mm ² shielded wire				
05: 70mm ² shielded wire				

Amphenol PCD Shenzhen

Building C
Dagang Industrial Zone
Guangming District
Shenzhen 518132
China

Tel.: +86 755-8173-8000
Email: inquiry@amphenolpcd.com.cn

www.amphenolpcd.com.cn



Notes:

Amphenol PCD Shenzhen has made every effort to ensure that the information contained in this catalog is accurate at the time of publication. Specifications or information stated in this publication are subject to change without notice.

Amphenol PCD Shenzhen reserves the right to clarify this catalog.