



AMPHENOL PCD



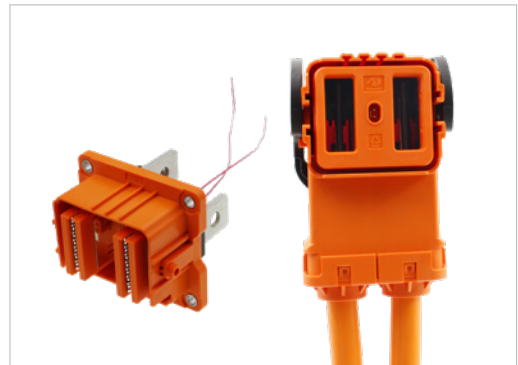
# EXCEL | MATE

## HVSL Series

Ref. No: HVSL-ALL-0325

[www.amphenolpcd.com.cn](http://www.amphenolpcd.com.cn)

HIGHPOWER @ AMPHENOL  
TRUSTED GLOBALLY



When high-performance and increased safety are required in HEV, Amphenol PCD's **EXCEL | MATE** connectors fulfill the challenge.

HVSL Series is designed for various HEV applications, including power and signal interconnect solutions. Different versions are available, from 1 position to 6 positions and a rated current from 20A to 450A.

Product	HVSL 1400	HVSL 1200	HVSLP 1200	HVSL 1000	HVSLP 1000	HVSL F18	HVSL F300	HVSL 800	HVSLP 800	HVPC 800	HVPC 18	HVSL 800	HVSL 8003	HVSL 600	HVSL 600	HVSL 630	HVSL 633	HVSL 635B	HVSL 280	HVSL 282	HVSL 362	HVSL 364	HVSL 365	HVSL 366
Position	2	2	2	1, 2, 3	2	2	2	2, 3	2	2	2	2	2	2, 3	1	2	3	5	3	2	2	3, 4	5	6
Rated Voltage	1000V	1000V	1000V	1000V	1000V	1000V	1000V	1000V	1000V	1000V	1000V	1000V	1000V	1000V	1000V	1000V	1000V	690V	1000V	1000V	1000V	1000V	1000V	1000V
Rated Current	450A	350A	400A	250A	250A	270A	430A	180A	200A	180A	250A	180A	180A	120A	120A	40A	40A	40A	32A	32A	95A	80A	40A	40A
HVIL	√	√	√	√	√	√	√	√	√	√	√	√	√	√	√	√	√	√	√	√	√	√	√	√
Shielding	√	√	√	√	√	√	√	√	√	√	√	√	√	√	√	√	√	√	√	√	√	√	√	√
Shell	Plastic	Plastic	Plastic	Plastic	Plastic	Plastic	Plastic	Plastic	Plastic	Metal	Metal	Metal	Metal	Metal	Plastic	Plastic	Plastic	Plastic	Plastic	Plastic	Plastic	Plastic	Plastic	Plastic
IP67, IP6K9K	√	√	√	√	√	√	√	√	√	√	√	√	√	√	√	√	√	√	√	√	√	√	√	√
Touch-Proof IP2XB	√	√	√	√	√	√	√	√	√	√	√	√	√	√	√	√	√	√	√	√	√	√	√	√
Cable size mm <sup>2</sup>	70 to 120	70 to 95	70 to 95	25 to 70	50 to 70	25 to 70	95 to 120	25 to 50	25 to 50	35 to 50	35 to 70	25 to 50	25 to 50	16 to 25 6/8AWG	25	4 to 6	2.5 to 6	2.5 to 6	2.5 to 4	2.5 to 4	6 to 16	2.5 to 16	2.5 to 6	2.5 to 6
Cable type shielded wire	I	I	I	I	I	I	I	I	I	I	I	I	I	I	I	M	I/M	M	M	I/M	I	I	I	I

**Cable type shielded wire**  
**I:** Individually / **M:** Multicore

## EXCEL | MATE (HVSL1200)



### High Voltage Safety Lock

HVSL1200, which is the latest generation of the EXCEL | MATE series, has been specially designed for use in HEV applications.

The RADSOK® Technology R4 version 12mm and an interlock solution ensure a safe and reliable connection.

### KEY FEATURES

With interlock solution

RADSOK® Technology R4 version 12mm

Sealing, IP67 (mated), IP6K9K

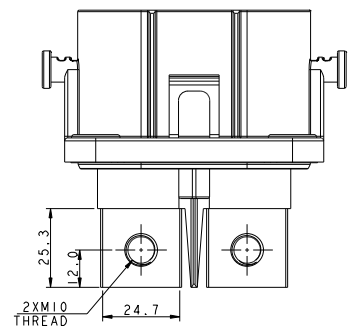
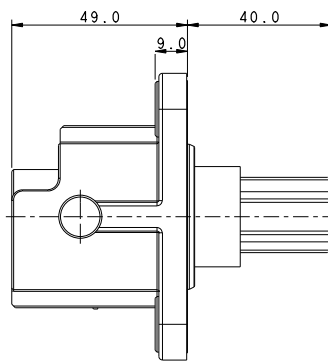
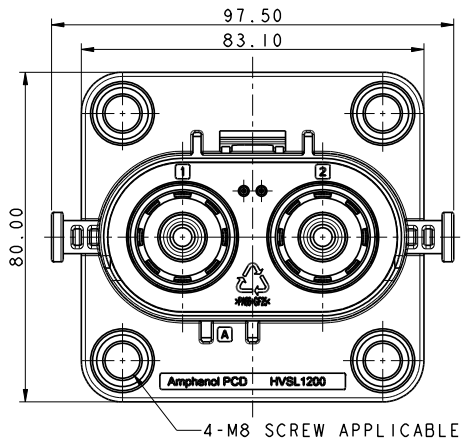
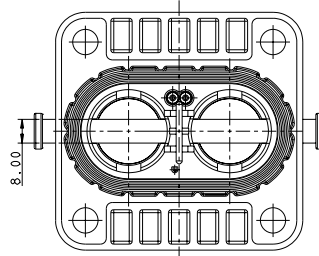
Touch-proof, IP2XB

Multiple coding positions

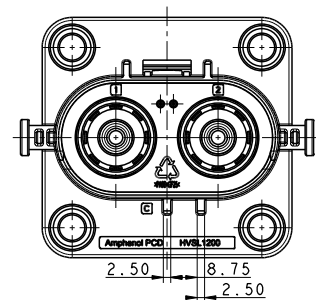
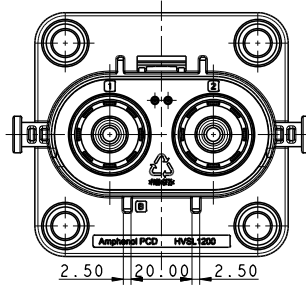
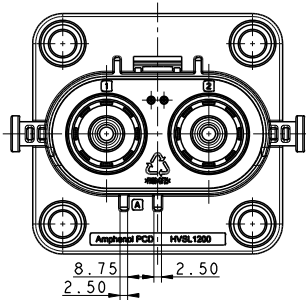
APPLICATIONS	
HEV Battery	
Inverters	
Junction boxes	
Power distribution boxes	
MECHANICAL	
Durability	≥ 50 mating cycles
Wire range	70mm <sup>2</sup> to 95mm <sup>2</sup>
ELECTRICAL	
Rated voltage	1000V DC
Rated current	350A Max @ ambient temperature 70°C
Insulator resistance	> 200MΩ
Dielectric withstand voltage	3000V AC
ENVIRONMENTAL	
Sealing	IP67, IP6K9K (mated)
Touch-proof	IP2XB
Temperature range	-40°C to 125°C
STANDARDS	
USCAR-2	
USCAR-37	
LV-215	
RoHS	

# Excel|Mate Max (HVSL 1200)

## 2 PIN RECEPTACLE BOX MOUNTED

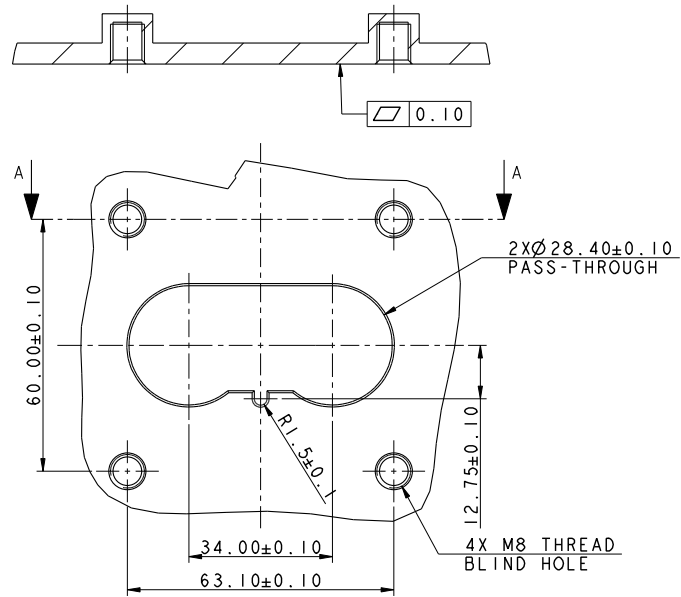


## INSERT ORIENTATIONS

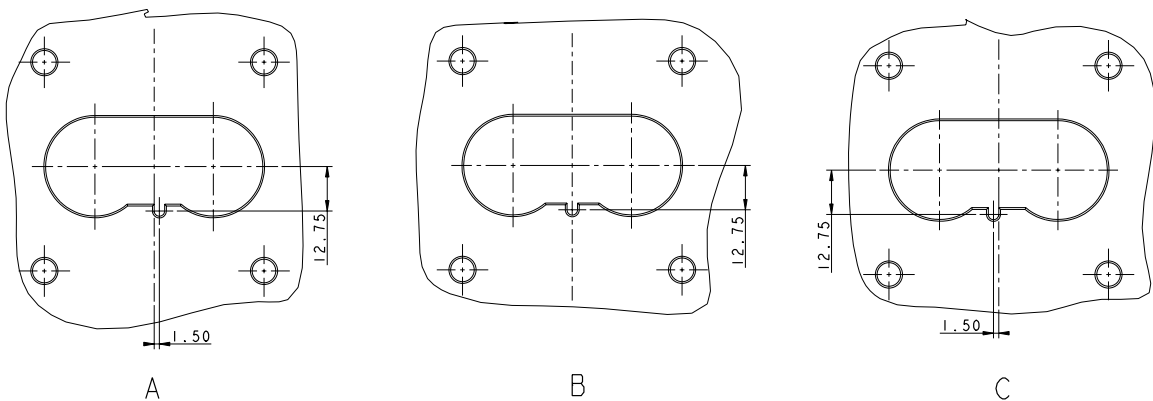


	Coding A	Coding B	Coding C
P/N	HVSL1200 02 2 A	HVSL1200 02 2 B	HVSL1200 02 2 C

PANEL MOUNTING DIMENSIONS

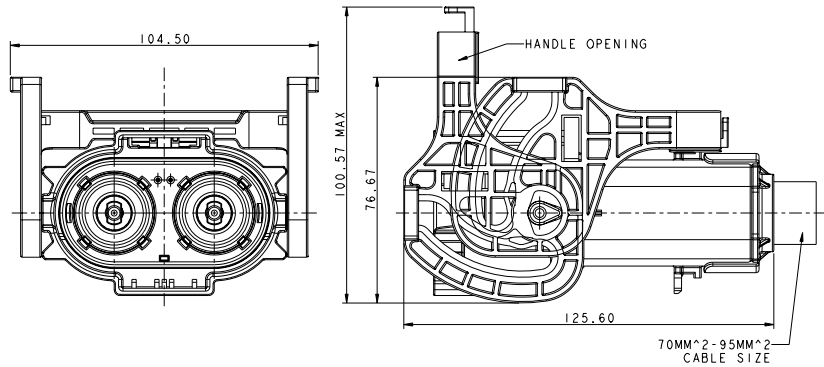


MOUNTING PANEL LAYOUT  
RECOMMENDED THICKNESS 3MM MIN.

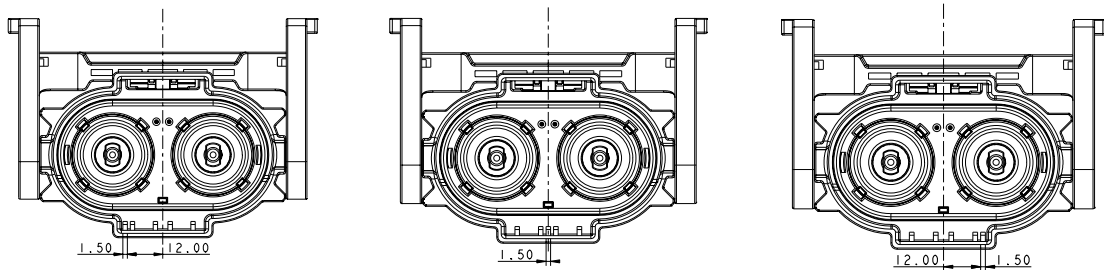


# ExcelMate Max (HVSL 1200)

## 2 PIN PLUG

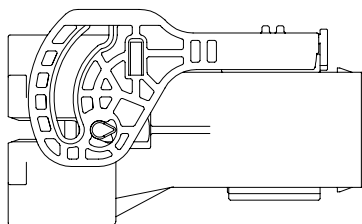


## INSERT ORIENTATIONS

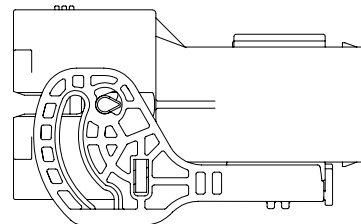


	Coding A	Coding B	Coding C
P/N	HVSL1200 06 2 A	HVSL1200 06 2 B	HVSL1200 06 2 C

## LEVER POSITION

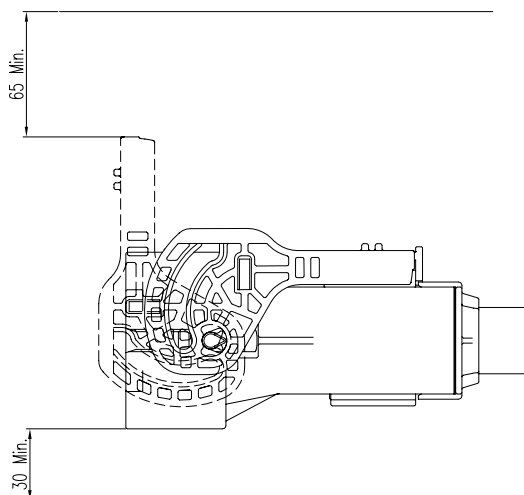


STANDARD LEVER

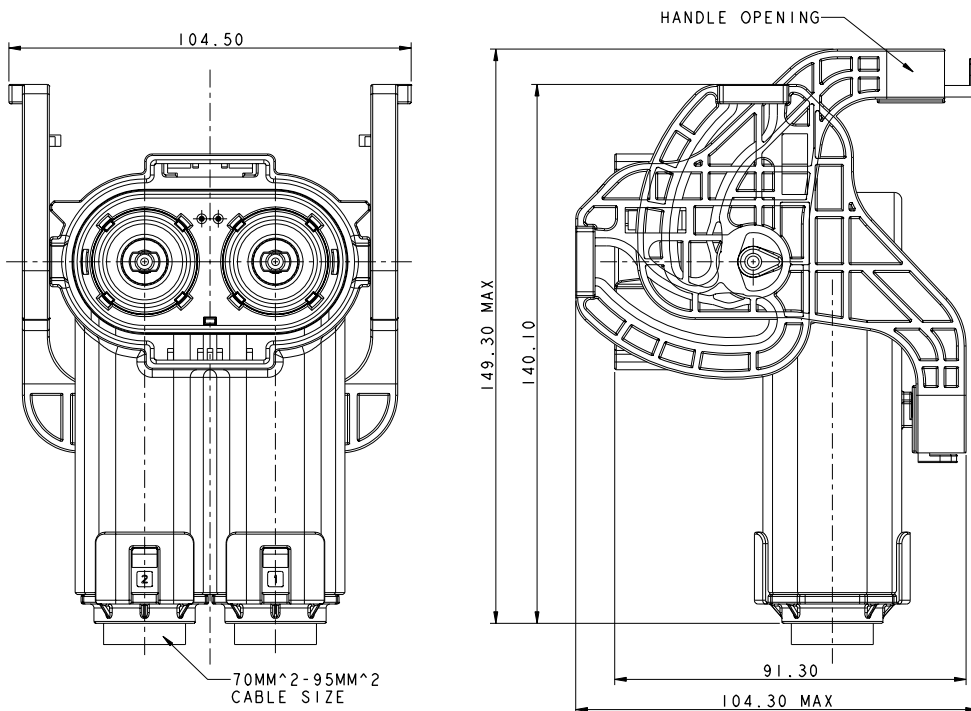


REVERSE LEVER

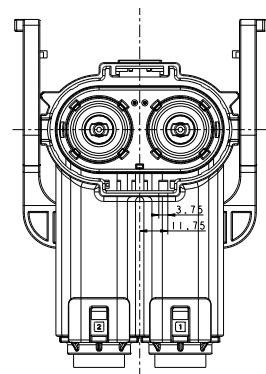
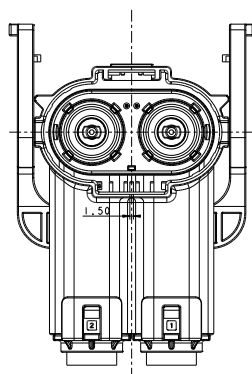
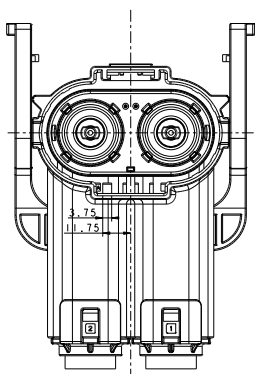
## INSTALLATION CLEARANCE



2 PIN PLUG RIGHT ANGLE



INSERT ORIENTATIONS



	Coding A	Coding B	Coding C
P/N	HVSL1200 08 2 A	HVSL1200 08 2 B	HVSL1200 08 2 C

# HOW TO ORDER (HVSL 1200)

## HOW TO ORDER: PLUG

	HVSL1200	06	2	A	0	70
<b>Product type:</b>						
<b>06:</b> Straight plug						
<b>08:</b> Right angle plug						
<b>Position:</b>						
<b>2:</b> 2 position						
<b>Coding / Alternate position:</b>						
<b>A:</b> Coding A						
<b>B:</b> Coding B						
<b>C:</b> Coding C						
<b>Interlock:</b>						
<b>0:</b> Without interlock						
<b>1:</b> With interlock						
<b>Cable size:</b>						
<b>70:</b> 70mm <sup>2</sup> cable						
<b>95:</b> 95mm <sup>2</sup> cable						

## HOW TO ORDER: RECEPTACLE

	HVSL1200	02	2	A	0	H10
<b>Product type:</b>						
<b>02:</b> Box mounted receptacle						
<b>Position:</b>						
<b>2:</b> 2 position						
<b>Coding / Alternate position:</b>						
<b>A:</b> Coding A						
<b>B:</b> Coding B						
<b>C:</b> Coding C						
<b>Interlock:</b>						
<b>0:</b> Without interlock						
<b>1:</b> With interlock						
<b>Cable size:</b>						
<b>H10:</b> OT terminal						

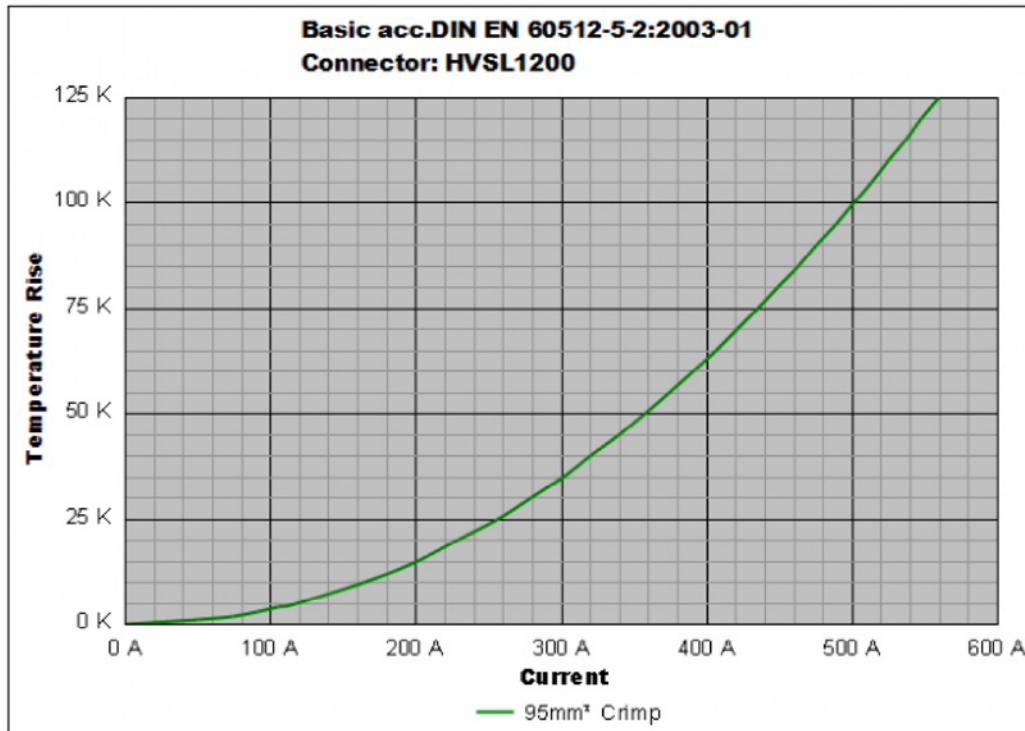
## EXTRACTION TOOL FOR RECEPTACLE SIGNAL CONTACT

HVIL-contact Extraction tool: HVTOOL11R

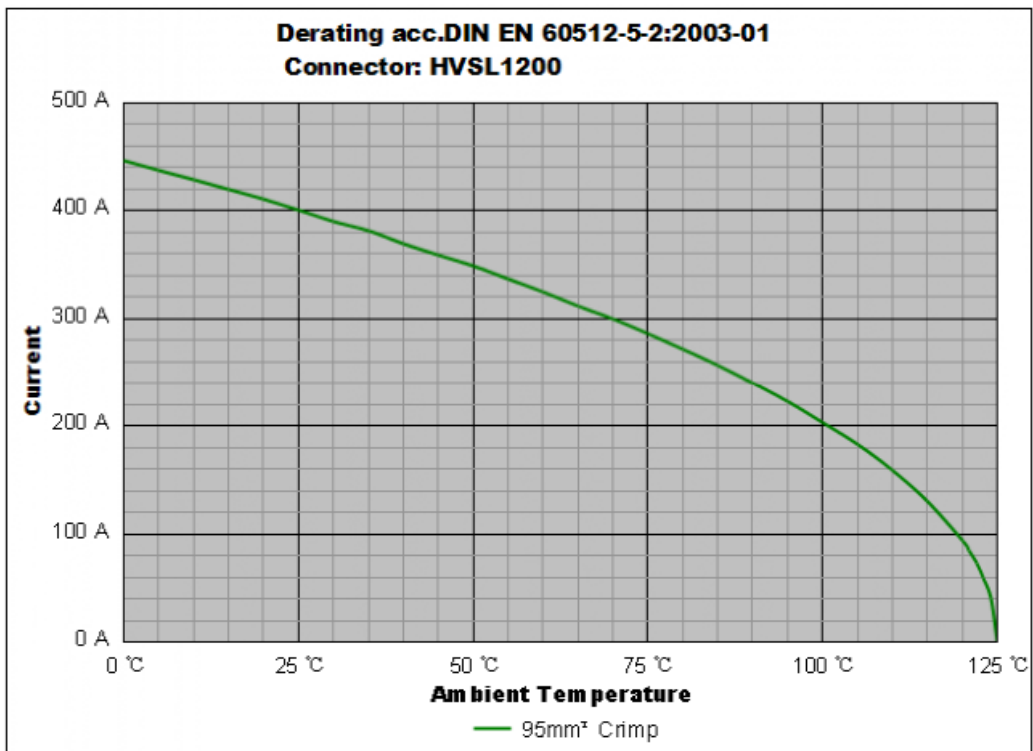




## HVSL 1200 | Temperature Rise



## HVSL 1200 | Derating Curve



Remark: tests carried out on the complete connector.

Amphenol PCD Shenzhen

Building C  
Dagang Industrial Zone  
Guangming District  
Shenzhen 518132  
China

Tel.: +86 755-8173-8000  
Email: [inquiry@amphenolpcd.com.cn](mailto:inquiry@amphenolpcd.com.cn)

[www.amphenolpcd.com.cn](http://www.amphenolpcd.com.cn)



Notes:

Amphenol PCD Shenzhen has made every effort to ensure that the information contained in this catalog is accurate at the time of publication. Specifications or information stated in this publication are subject to change without notice.

Amphenol PCD Shenzhen reserves the right to clarify this catalog.