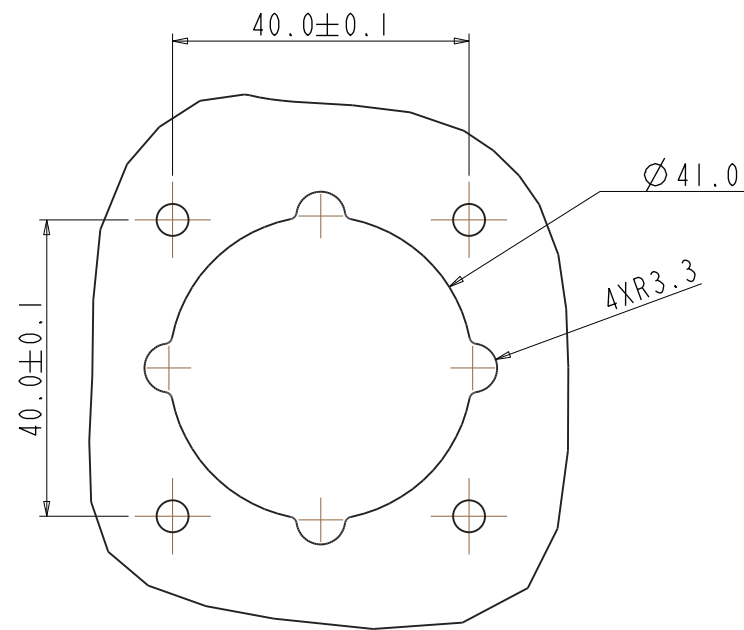
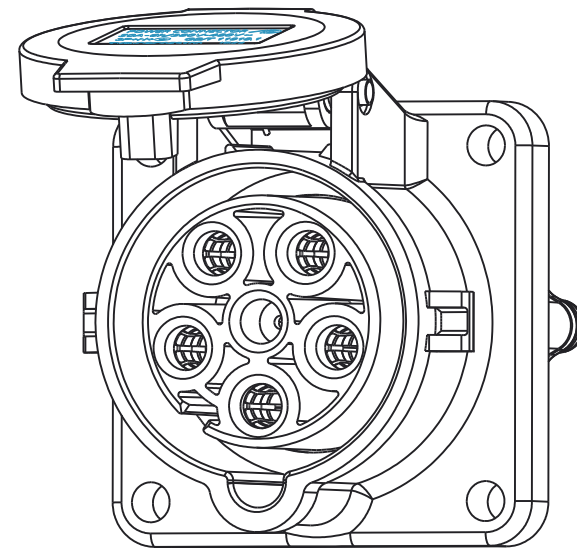
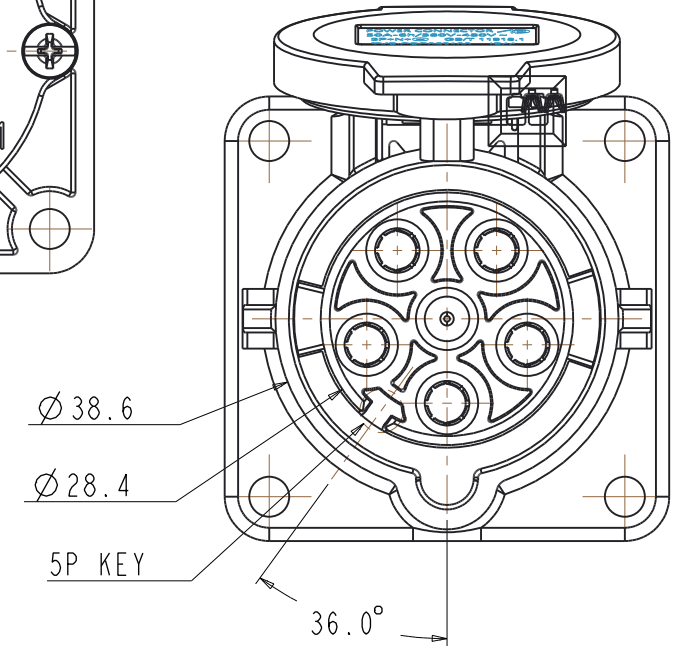
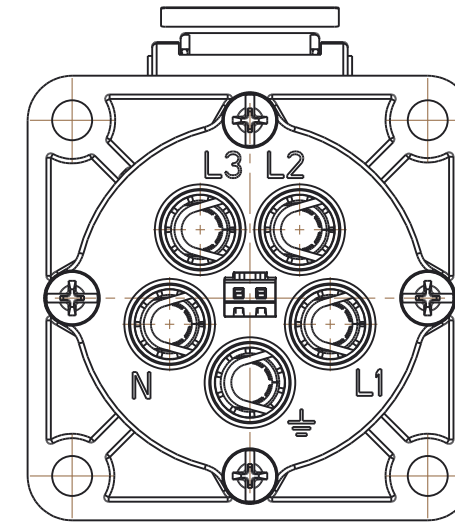
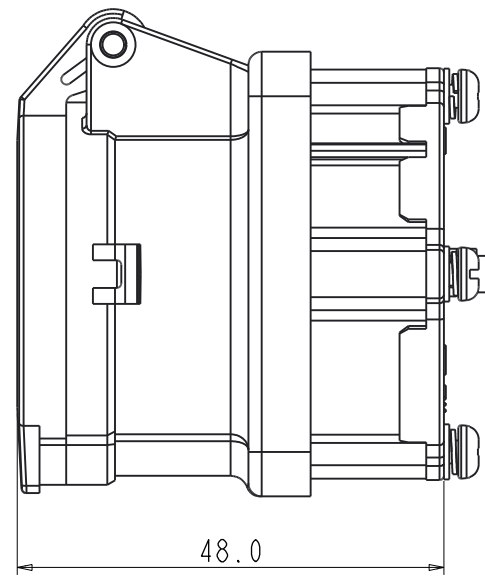
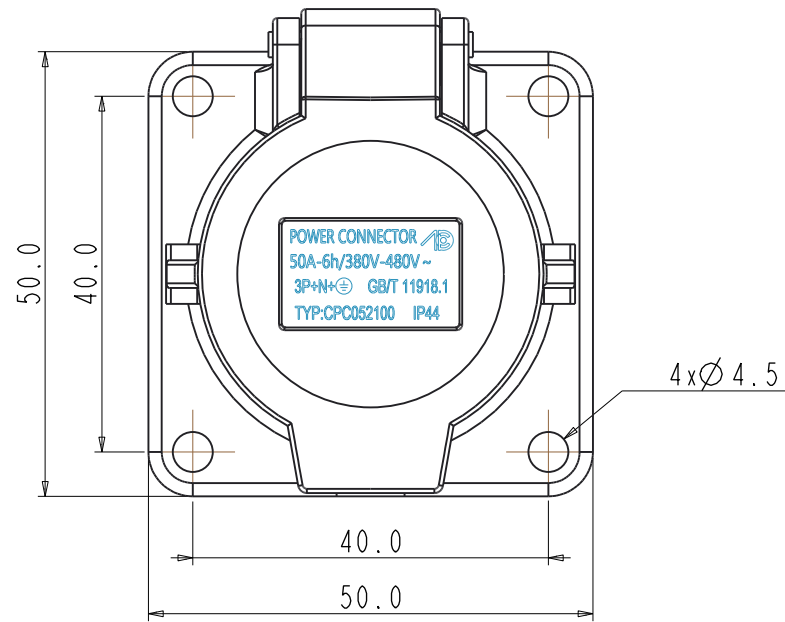


REV	ECN	DESCRIPTION	DATE	MODIFIED
VO-4		PRE-RELEASE	Nov-03-20	

Amphenol PCDSZ
ORIGINAL
PDF Format
R&D



PANEL MOUNTING SIZE

NOTES:

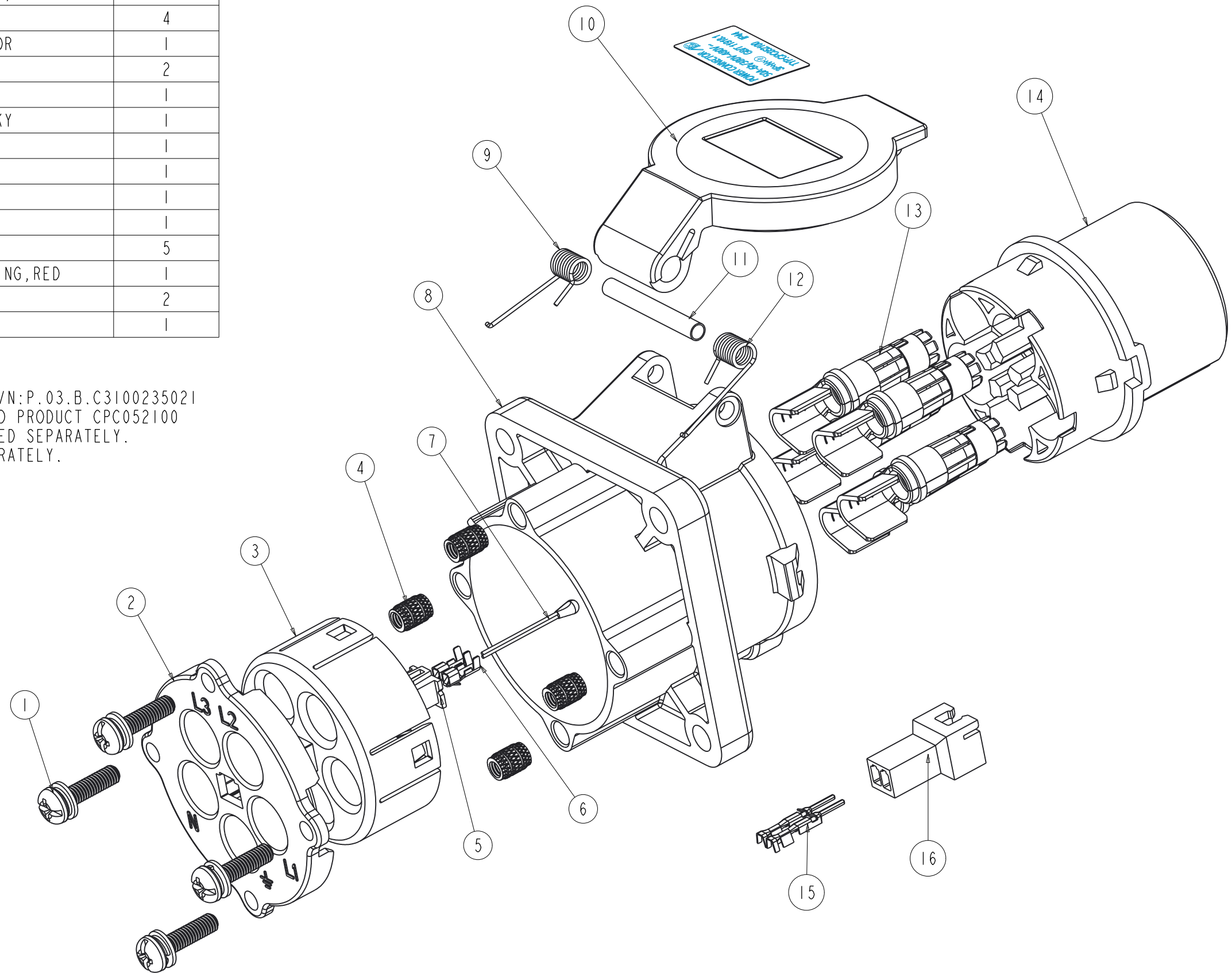
- MATERIALS:
HOUSING: PBT/PA
CONTACT: COPPER (CONTACT SHOULD BE ORDERED SEPARATELY).
- ELECTRICAL CHARACTERISTICS:
CURRENT RATING: 50A
VOLTAGE RATING: 480V
WITHSTAND VOLTAGE: 2000V/MIN.
INSULATION RESISTANCE: 500MΩ.
- OPERATING TEMPERATURE RANGE: -40°C TO +105°C.
- MATING CYCLES: 200 TIMES MAX.
- WATERPROOF: IP44 (MATED CONDITION).
- RoHS COMPLIANCE.

DIMENSIONS	TOLERANCES	PROJECTION	TITLE	
ANSI Y14.5M UNITS: MM Pro/E FILE	.X ±0.5 .XX ±0.05 ANGLES ±2°		Amphenol PCD Shenzhen	
ORIGINAL	THIS DOCUMENT CONTAINS PROPRIETARY INFORMATION WHICH IS THE CONFIDENTIAL PROPERTY OF Amphenol PCD Shenzhen Co. Ltd Amphenol PCD Shenzhen Co. Ltd RESERVES THE RIGHT TO CLARIFY THIS DRAWING	ENGR	POWER OUTLET CONNECTOR 50A,5P	
		CHKD APPD	Jul-03-20	
		SIZE A3	DWG NO. CPC052100.C	REV VO-4
		CODE: 58982	SCALE: 6:5	SHEET 1 OF 2

ITEM NO.	DESCRIPTION	QTY
1	M3 SEMS SCREW	4
2	OUTLET END COVER,GRAY	1
3	OUTLET MIDDLE COVER,GRAY	1
4	M3 KNURLED NUT	4
5	NTC FEMALE CONNECTOR	1
6	NTC FEMALE CONTACT	2
7	NTC	1
8	OUTLET HOUSING,MILKY	1
9	COVER SPRING 1	1
10	OUTLET COVER,RED	1
11	COVER BOLT	1
12	COVER SPRING 2	1
13	FEMALE CONTACT	5
14	OUTLET MIDDLE HOUSING, RED	1
15	NTC MALE CONTACT	2
16	NTC MALE HOUSING	1

NOTES:

- ITEM 13 FEMALE CONTACT P/N:P.03.B.C3100235021 NOT INCLUDED IN FINISHED PRODUCT CPC052100 CONTACT SHOULD BE ORDERED SEPARATELY.
- ITEM 15 16 PACKING SEPARATELY.



SIZE	DWG NO.	REV
A3	CPC052100_C	VO-4
CODE: 58982	SCALE: 3:2	SHEET 2 OF 2