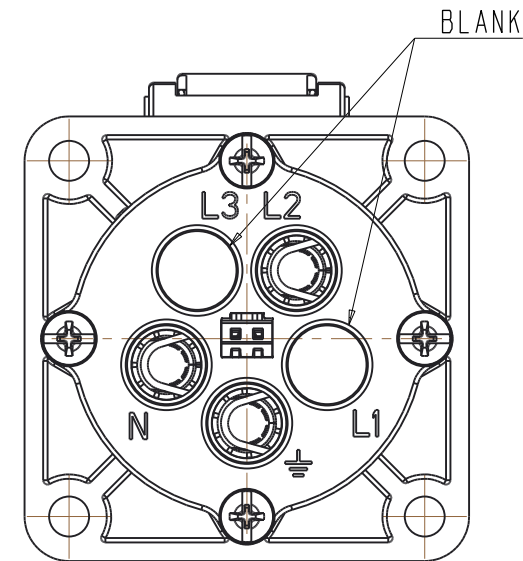
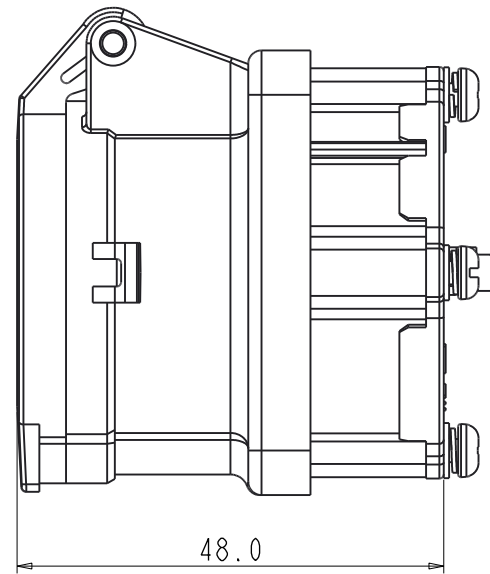
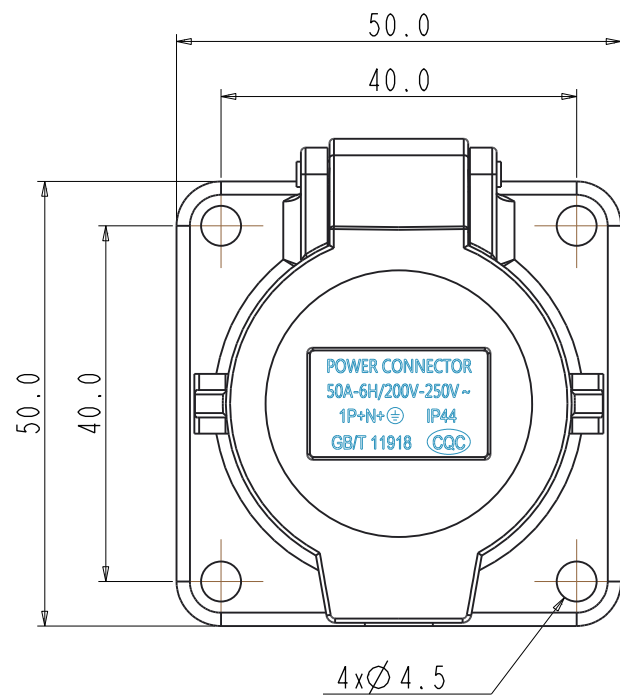
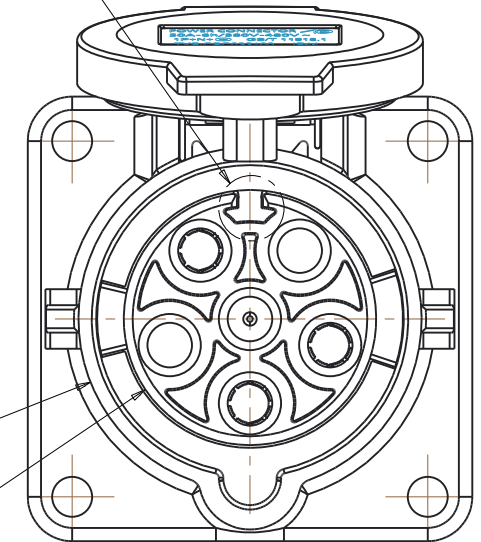


REV	ECN	DESCRIPTION	DATE	MODIFIED
VO-2		PRE-RELEASE	Oct-13-20	

Amphenol PCDSZ
ORIGINAL
PDF Format
R&D

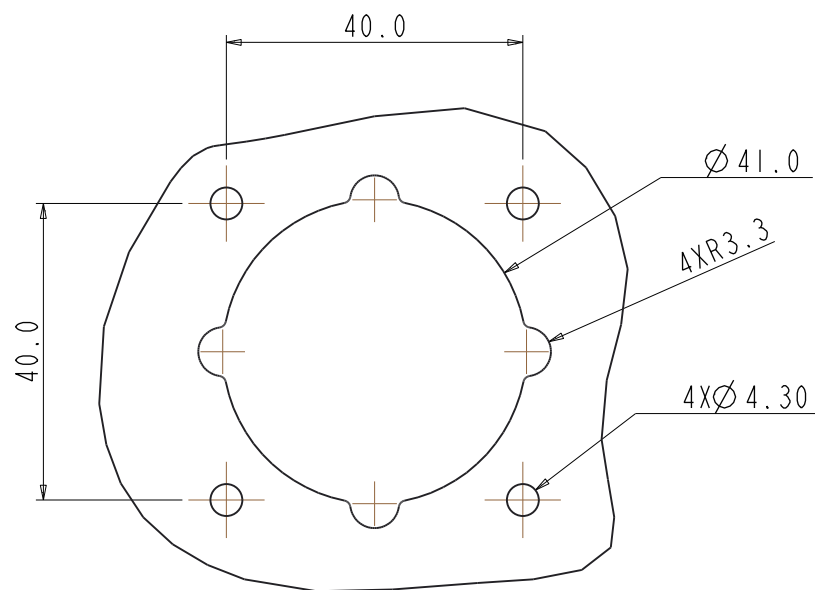


3P KEY

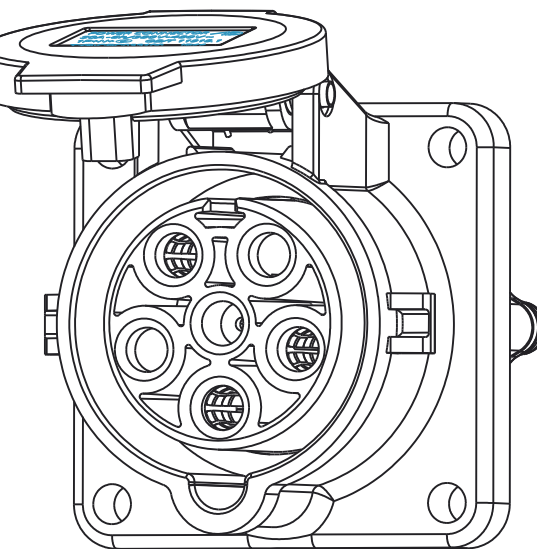


NOTES:

- MATERIALS:
HOUSING: PBT/PA
CONTACT: COPPER (CONTACT SHOULD BE ORDERED SEPARATELY).
- ELECTRICAL CHARACTERISTICS:
CURRENT RATING: 50A
VOLTAGE RATING: 480V
WITHSTAND VOLTAGE: 2000V/MIN.
INSULATION RESISTANCE: 500MΩ.
- OPERATING TEMPERATURE RANGE: -40°C TO +105°C.
- MATING CYCLES: 200 TIMES MAX.
- WATERPROOF: IP44 (MATED CONDITION).
- RoHS COMPLIANCE.



PANEL MOUNTING SIZE

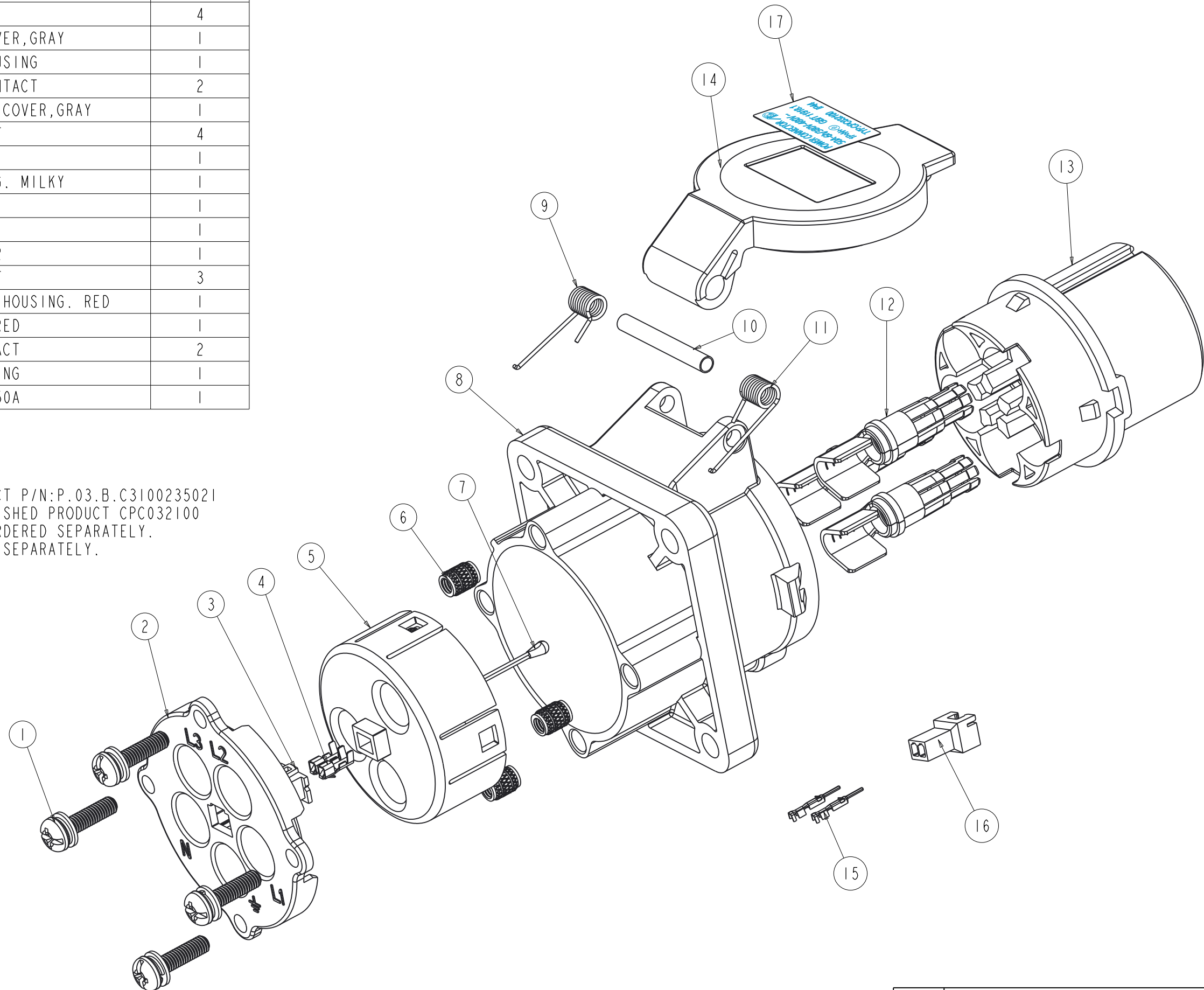


DIMENSIONS	TOLERANCES	PROJECTION	TITLE			
ANSI Y14.5M UNITS: MM Pro/E FILE	.X ±0.5 .XX ±0.05 ANGLES ±2°		Amphenol PCD Shenzhen			
			POWER OUTLET CONNECTOR 50A,3P			
ORIGINAL	THIS DOCUMENT CONTAINS PROPRIETARY INFORMATION WHICH IS THE CONFIDENTIAL PROPERTY OF Amphenol PCD Shenzhen Co. Ltd Amphenol PCD Shenzhen Co. Ltd RESERVES THE RIGHT TO CLARIFY THIS DRAWING		SIZE	DWG NO.	REV	
			A3	CPC032100_C	VO-2	
			CODE: 58982	SCALE: 6:5	SHEET 1 OF 2	

ITEM NO.	DESCRIPTION	QTY
1	M3 SEMS SCREW	4
2	OUTLET END COVER,GRAY	1
3	NTC FEMALE HOUSING	1
4	NTC FEMALE CONTACT	2
5	OUTLET MIDDLE COVER,GRAY	1
6	M3 KNURLED NUT	4
7	NTC	1
8	OUTLET HOUSING. MILKY	1
9	COVER SPRING 1	1
10	COVER BOLT	1
11	COVER SPRING 2	1
12	FEMALE CONTACT	3
13	OUTLET MIDDLE HOUSING. RED	1
14	OUTLET COVER,RED	1
15	NTC MALE CONTACT	2
16	NTC MALE HOUSING	1
17	LABLE FOR 3P 50A	1

NOTES:

- ITEM 12 FEMALE CONTACT P/N:P.03.B.C3100235021 NOT INCLUDED IN FINISHED PRODUCT CPC032100 CONTACT SHOULD BE ORDERED SEPARATELY.
- ITEM 15 16 17 PACKING SEPARATELY.



SIZE	DWG NO.	REV
A3	CPC032100_C	VO-2
CODE: 58982	SCALE: 3:2	SHEET 2 OF 2