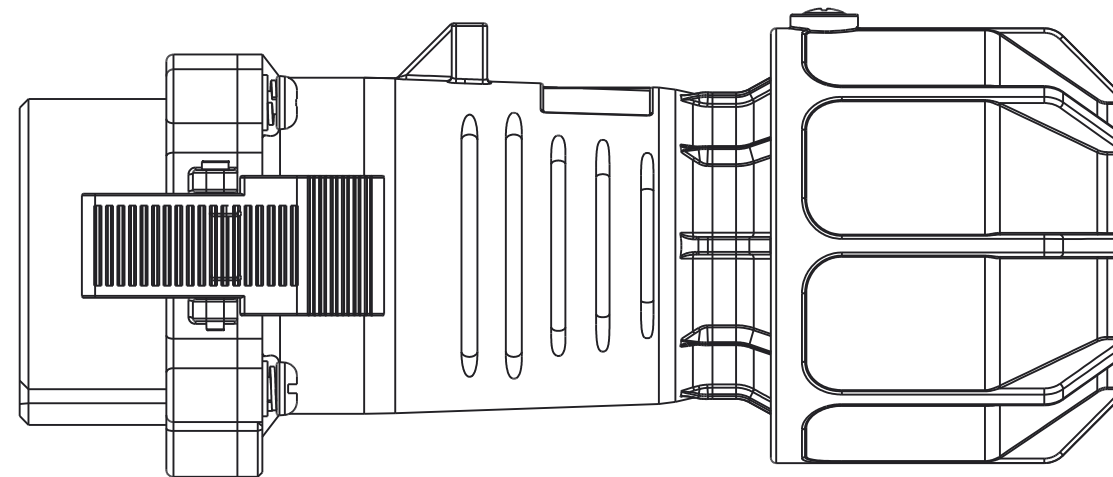
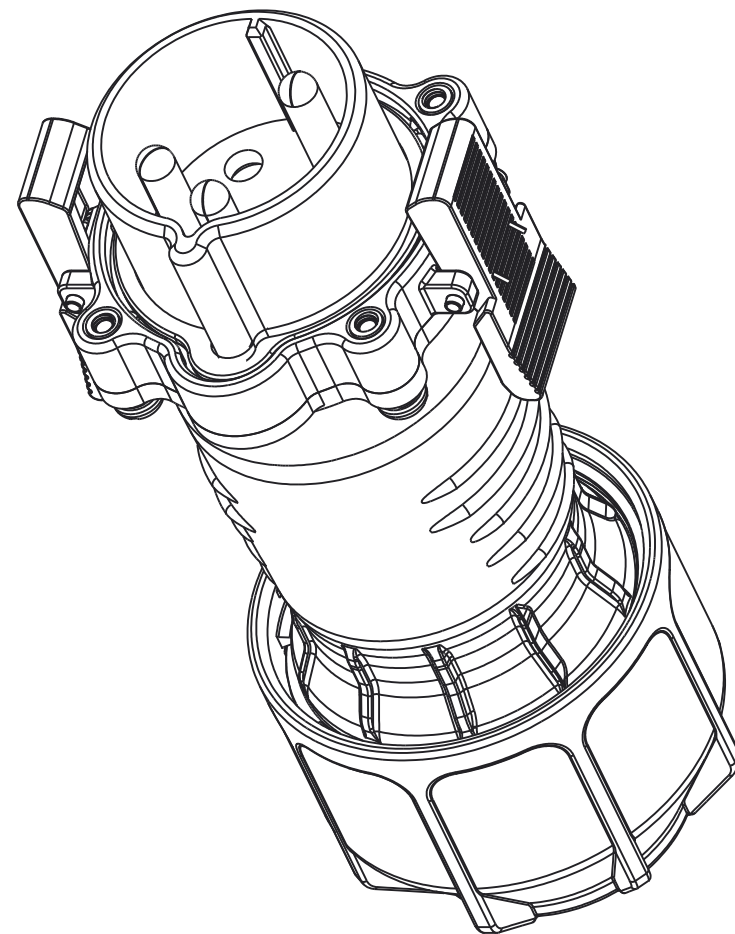
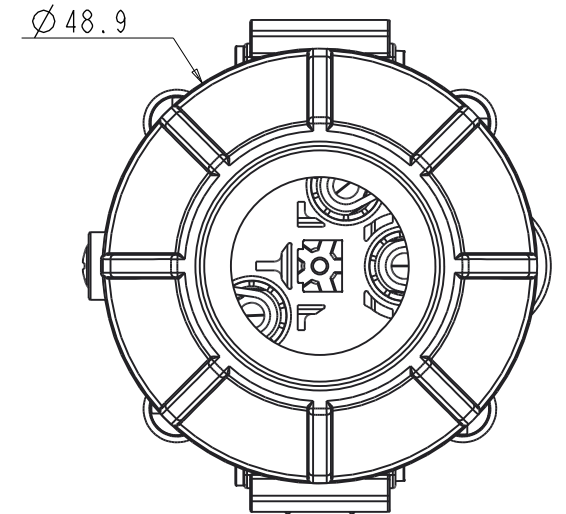
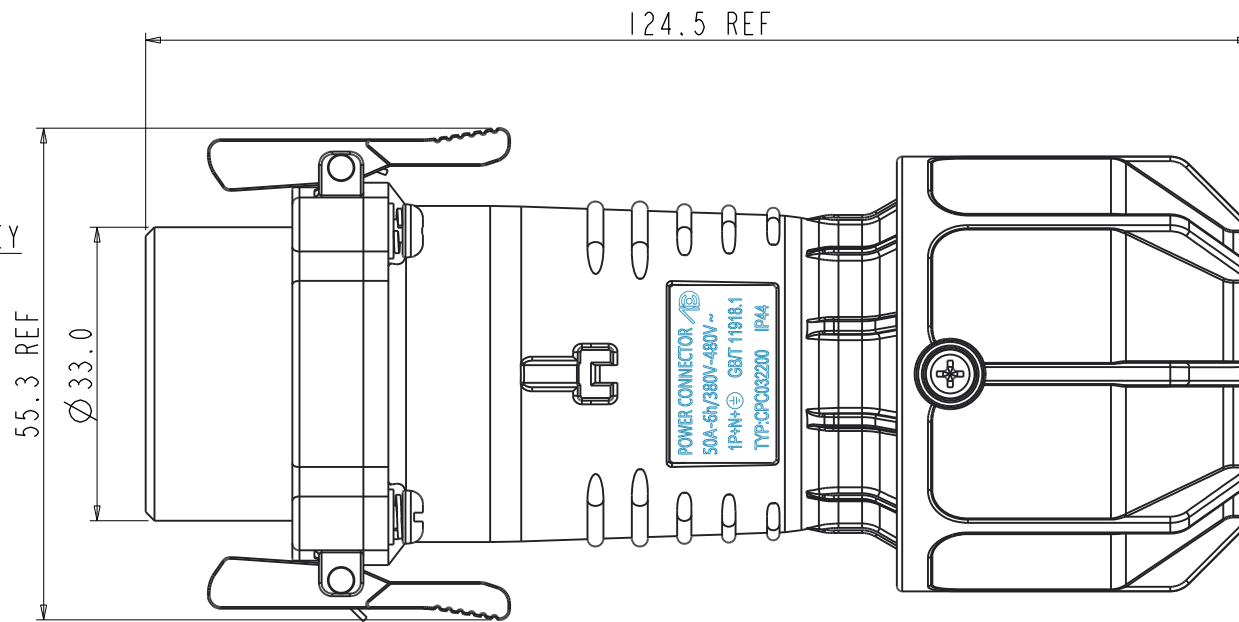
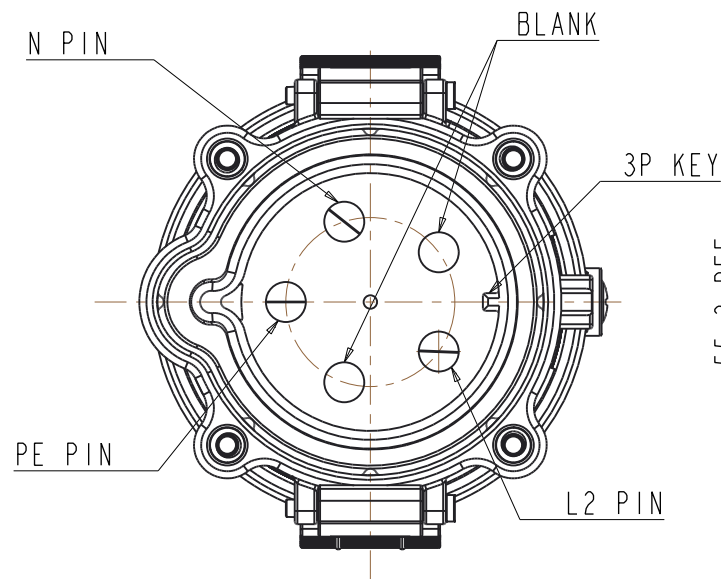


REV	ECN	DESCRIPTION	DATE	MODIFIED
VO-2		PRE-RELEASE	Oct-13-20	-

Amphenol PCD SZ
ORIGINAL
PDF Format
R&D

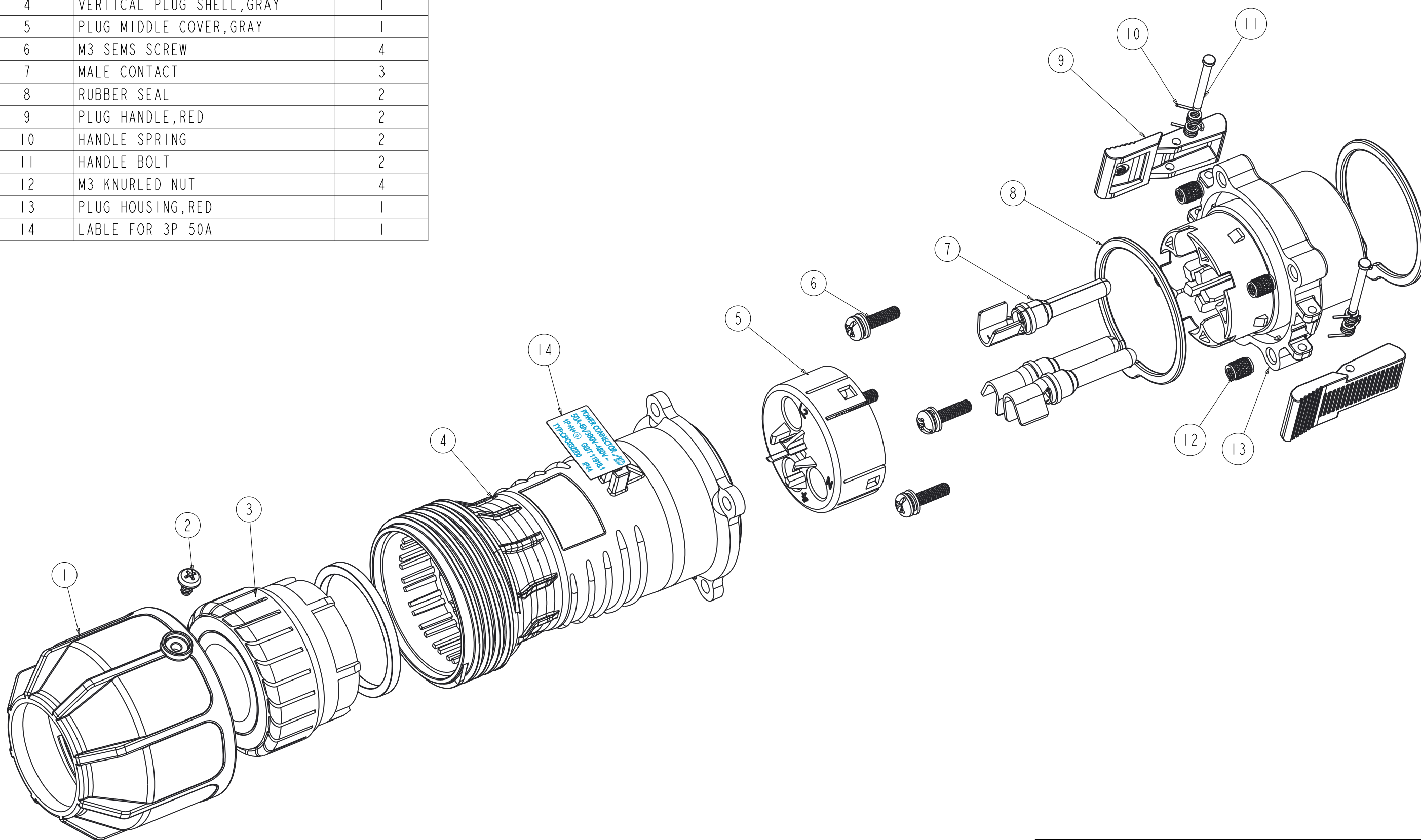


- NOTES:
- MATERIALS:
HOUSING: PBT/PA
CONTACT: COPPER (CONTACT SHOULD BE ORDERED SEPARATELY).
 - ELECTRICAL CHARACTERISTICS:
CURRENT RATING: 50A
VOLTAGE RATING: 480V
WITHSTAND VOLTAGE: 2000V/MIN.
INSULATION RESISTANCE: 500MΩ.
 - OPERATING TEMPERATURE RANGE: -40°C TO +105°C.
 - EXTERNAL DIAMETER OF THE CABLE: $\varnothing 18.5 \pm 0.8$ mm
 - MATING CYCLES: 200 TIMES MAX.
 - WATERPROOF: IP44 (MATED CONDITION).
 - RoHS COMPLIANCE.

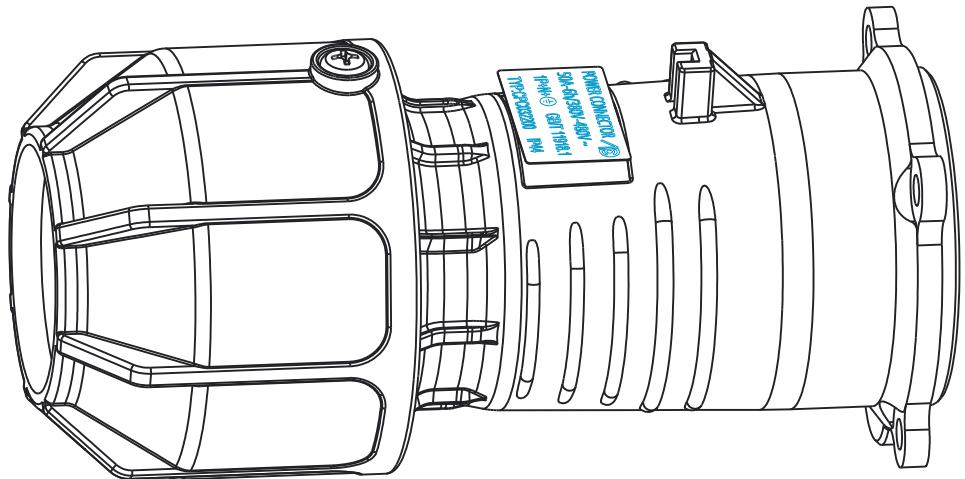
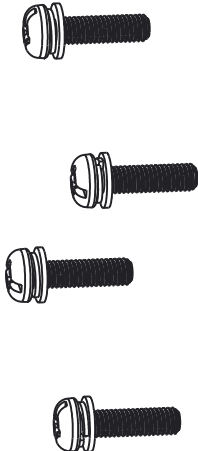
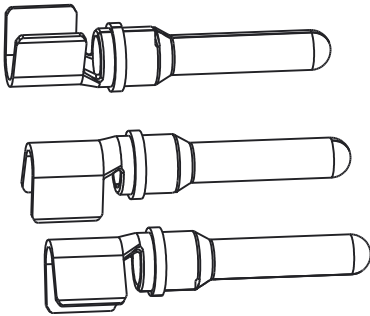
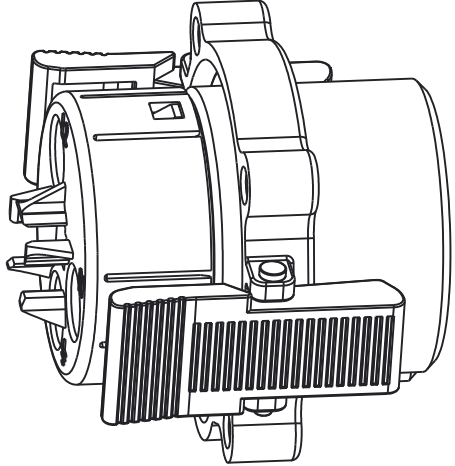
DIMENSIONS		TOLERANCES		PROJECTION	TITLE		
ANSI Y14.5M	.X	±0.5			Amphenol PCD Shenzhen POWER PLUG CONNECTOR VERTICAL, 50A, 3P		
UNITS: MM	.XX	±0.05					
Pro/E FILE	ANGLES	±2°					
ORIGINAL	THIS DOCUMENT CONTAINS PROPRIETARY INFORMATION WHICH IS THE CONFIDENTIAL PROPERTY OF Amphenol PCD Shenzhen Co. Ltd Amphenol PCD Shenzhen Co. Ltd RESERVES THE RIGHT TO CLARIFY THIS DRAWING			CHKD	SIZE	DWG NO.	REV
				APPD	A3	CPC032200.C	VO-2
		CODE: 58982	SCALE: 6:5	SHEET 1 OF 3			

ITEM NO.	DESCRIPTION	QTY
1	WIRE CLIP SHELL,GRAY	1
2	ST 2.9 TAPPING SCREW	1
3	CABLE SEAL BODY	1
4	VERTICAL PLUG SHELL,GRAY	1
5	PLUG MIDDLE COVER,GRAY	1
6	M3 SEMS SCREW	4
7	MALE CONTACT	3
8	RUBBER SEAL	2
9	PLUG HANDLE,RED	2
10	HANDLE SPRING	2
11	HANDLE BOLT	2
12	M3 KNURLED NUT	4
13	PLUG HOUSING,RED	1
14	LABLE FOR 3P 50A	1

NOTES:
 ITEM ⑦ MALE CONTACT P/N:P.03.E.P03ES00012
 NOT INCLUDED IN FINISHED PRODUCT CPC032200
 CONTACT SHOULD BE ORDERED SEPARATELY.



SIZE	DWG NO.	REV
A3	CPC032200.C	VO-2
CODE: 58982	SCALE: 6:5	SHEET 2 OF 3

A	B	C	D
ITEM ①②③④ ASSEMBLED TOGETHER	ITEM ⑥ PACKING 4PCS SCREWS WITH PLASTIC BAGS	ITEM ⑦ CONTACT P/N:P.03.E.P03ES00012 NOT INCLUDED IN FINISHED PRODUCT CPC032200	ITEM ⑤⑧⑨⑩⑪⑫⑬ ASSEMBLED TOGETHER
			
	NOTES: INSTALLATION TORQUE 5-6 kgf.cm .	NOTES: CONTACT SHOULD BE ORDERED SEPARATELY	

CPC032200.C

CPC032200.C

SIZE	DWG NO.	REV
A3	CPC032200.C	VO-2
CODE: 58982	SCALE: 6:5	SHEET 3 OF 3