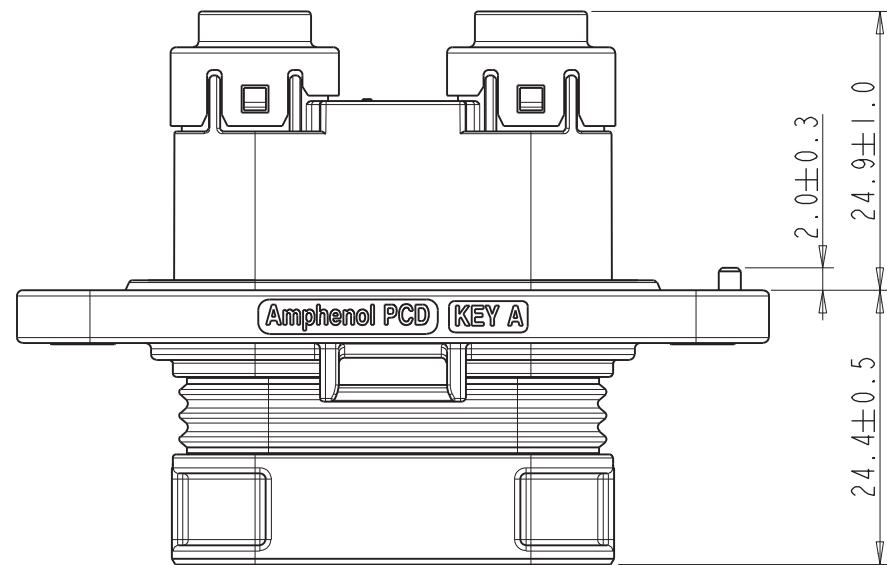
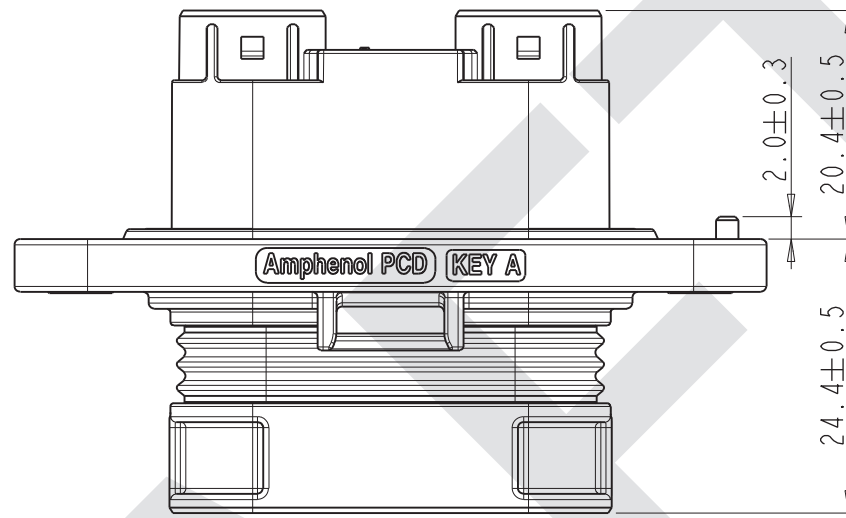


Amphenol PCDSZ
ORIGINAL
PDF Format
R&D

REV	ECN	DESCRIPTION	DATE	MODIFIED
VO-2		PRE- RELEASE	Sep-12-2024	



IPX7 (UNMATED)



NONE IPX7 (UNMATED)

AL400022 F XX X XX X X

RECEPTACLE

F: FRONT MOUNTING

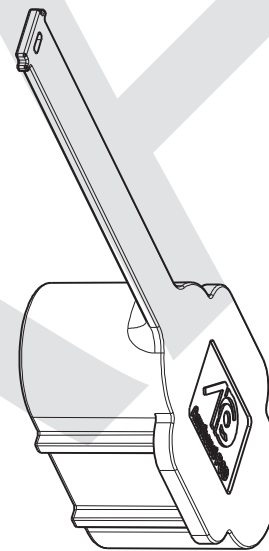
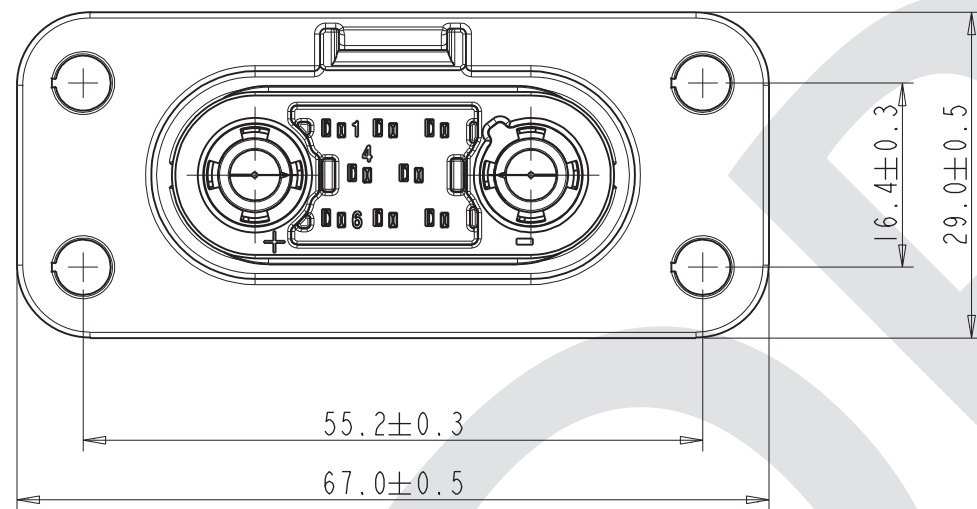
SIGNAL PIN QTY
04: 4 PIN
05: 5 PIN
06: 6 PIN
07: 7 PIN
08: 8 PIN

A: KEY A
B: KEY B

0: WITHOUT CAP
1: WITH CAP

0: NONE IPX7 (UNMATED)
1: IPX7 (UNMATED)

WIRE SPECIFICATION
06: 6SQ
10: 10SQ
16: 16SQ



CAP

TECHNICAL DATA		
WIRE SPECIFICATION	6/10/16SQ (ISO19642-5)	+
CURRENT RATE	6SQ: 40A 10SQ: 60A 16SQ: 80A	+
RATING VOLTAGE (OVERVOLTAGE CATEGORY II POLLUTION DEGREE 2)	900V DC 600V AC	+
OPERATING TEMPERATURE	-40 TO 105°C	
DIELECTRIC WITH STANDING VOLTAGE	4800V DC 2200V AC	+
INSULATION RESISTANCE	200MΩ MIN	+
DURABILITY	3000 CYCLES	⊙
SHIELDING	NO	
WATERPROOF (MATED CONDITION)	IP X7	+
RoHS & REACH	YES	+

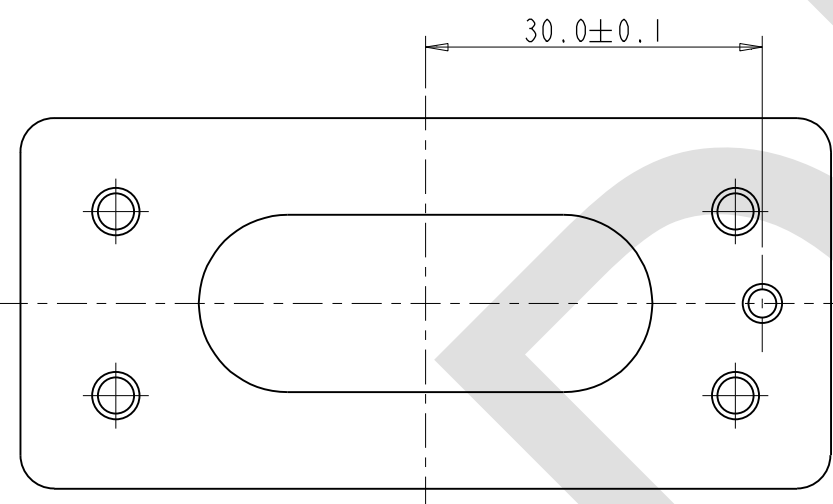
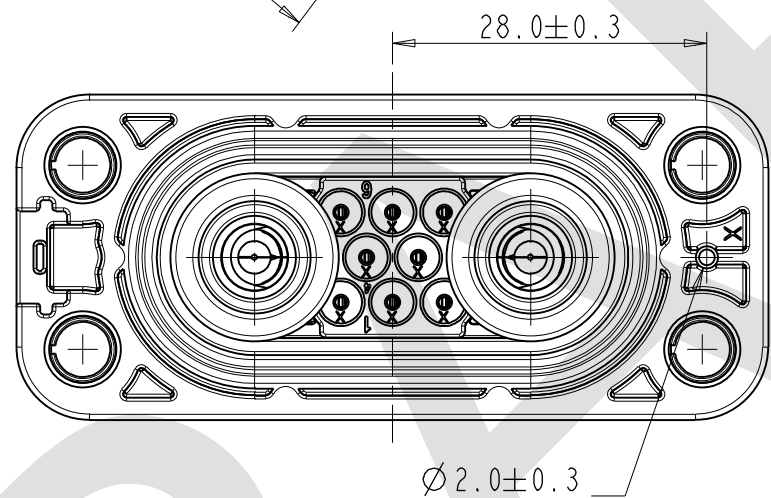
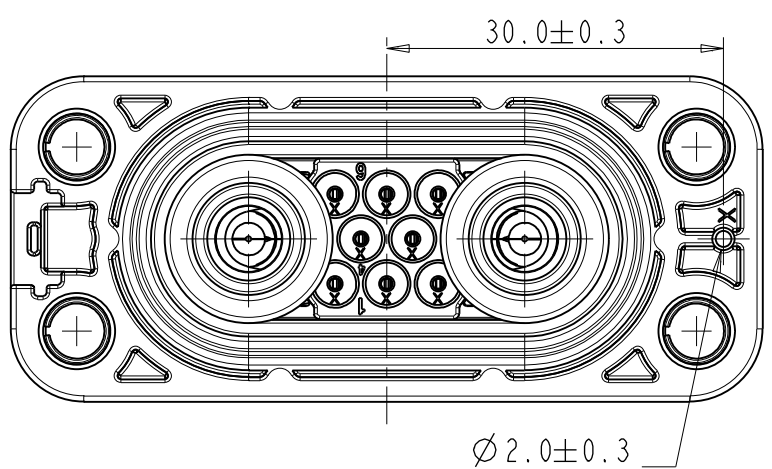
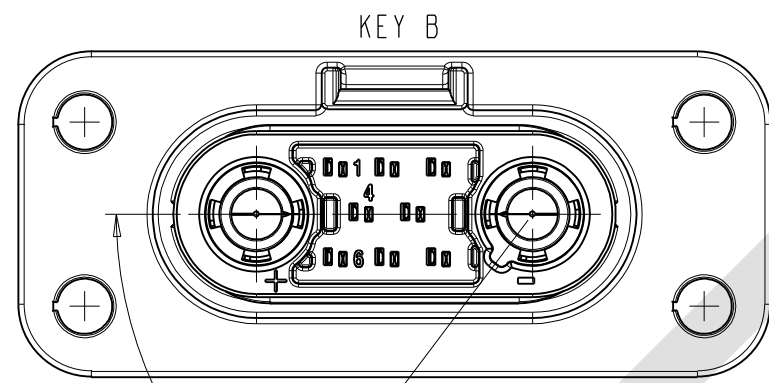
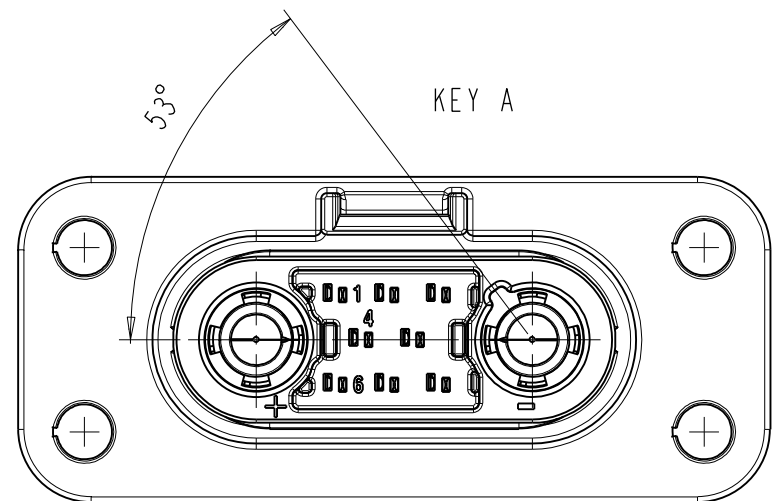
+ CRITICAL CHARACTERISTICS 关键特性
⊙ IMPORTANT CHARACTERISTICS 重要特性

SCOPE OF CABLE OUTSIDE DIAMETER		
WIRE RANGE	WIRE DIAMETER	REMARK
0.5SQ	1.4-1.6MM	SIGNAL CABLE
6SQ	4.0-4.3MM	POWER CABLE
10SQ	5.3-6.0MM	
16SQ	6.4-7.2MM	

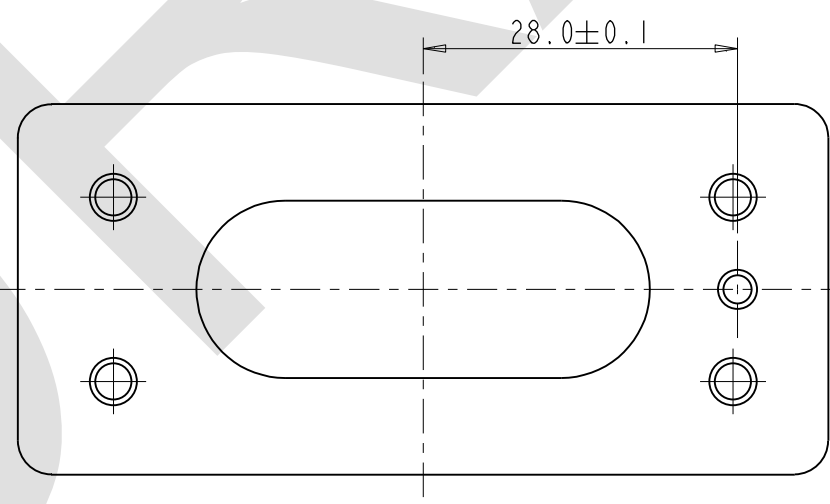
DIMENSIONS	TOLERANCES	PROJECTION	TITLE		
ANSI Y14.5M UNITS: MM Pro/E FILE	.X ±0.5 .XX ±0.05 ANGLES ±2°		AUTOLOK 4000 RECEPTACLE		
ORIGINAL	THIS DOCUMENT CONTAINS PROPRIETARY INFORMATION WHICH IS THE CONFIDENTIAL PROPERTY OF Amphenol PCD Shenzhen Co. Ltd Amphenol PCD Shenzhen Co. Ltd RESERVES THE RIGHT TO CLARIFY THIS DRAWING		ENGR Sep-12-2024	SIZE A3	DWG NO. C-AL400022FXXXXXX
			CHKD		REV VO-2
			APPD	SCALE: 3:2	SHEET 1 OF 2

C-AL400022FXXXXXX

C-AL400022FXXXXXX

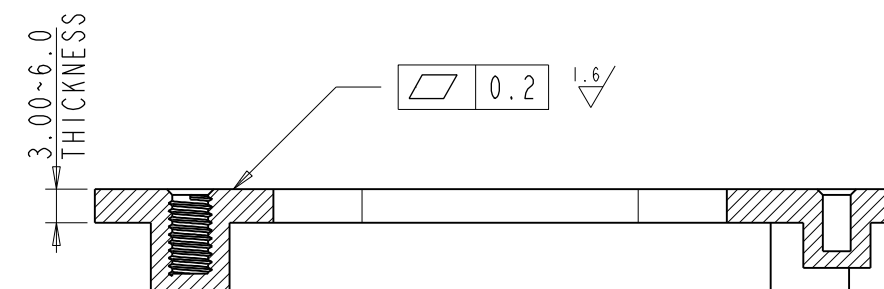
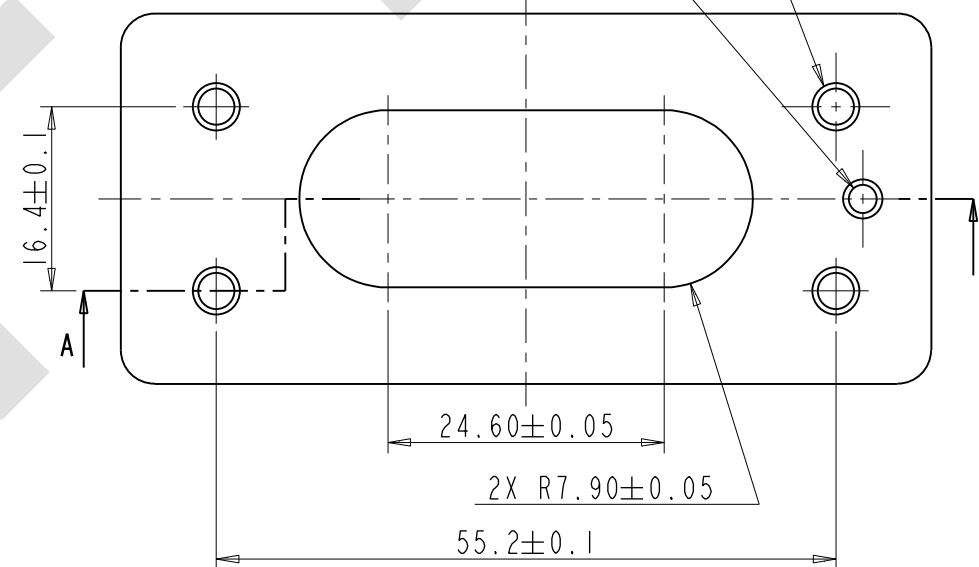


KEY A MOUNTING INTERFACE



KEY B MOUNTING INTERFACE

4X M4 TAPPED HOLE WITH NOT BREAK OUT
 4X M4 TAPPED HOLE WITH NOT BREAK OUT
 $\varnothing 2.50 \pm 0.05 \nabla 2.5$ MIN
 BLIND HOLE WITH NOT BREAK OUT



SECTION A-A

MOUNTING INTERFACE SPECIFICATION
 (KEY A MOUNTING INTERFACE SHOWN)

SIZE A3	DWG NO. C-AL400022FXXXXXX	REV V0-2
SCALE: 3:2		SHEET 2 OF 2