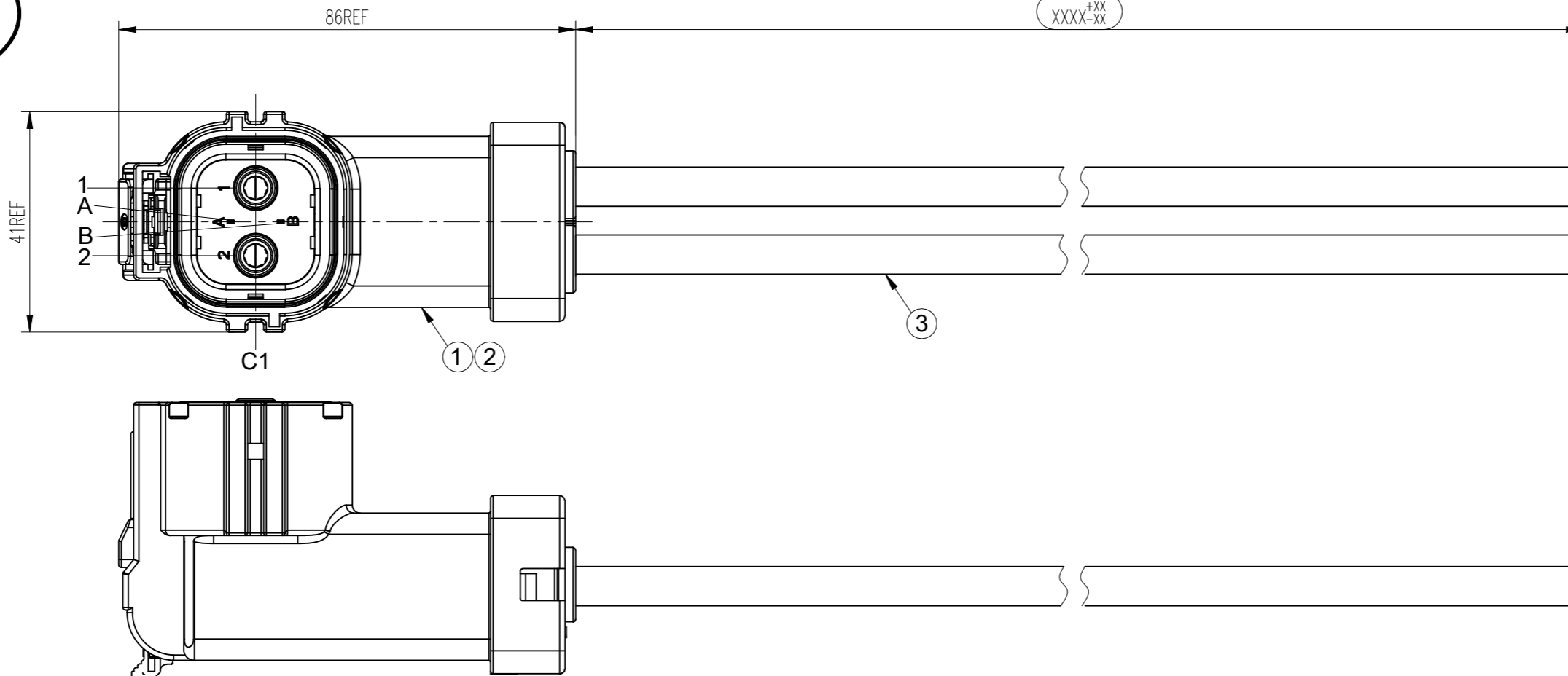


REV	ECN	DESCRIPTION	DATE	MODIFIED
1		RELEASE	Dec-13-2024	Lori.huang

Amphenol PCDSZ  
ORIGINAL  
PDF Format  
R&D



1: WITH HVIL  
0: WITHOUT HVIL

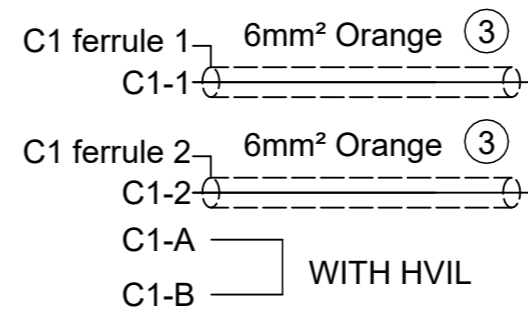
HVSL362082XX06IXXLXXXX

A	KEY A
B	KEY B
C	KEY C
D	KEY D
E	KEY E

LENGTH	TOLERANCE
0~1000mm	+25 -10
1001~2000mm	+30 -10
2001~5000mm	+40 -10
>5000mm	+50 -20

WIRE SIZE	DESCRIPTION
06	6mm <sup>2</sup> : 6.1~6.5mm
07	6mm <sup>2</sup> : 6.5~7.0mm

WIRING DIAGRAM



安费诺精密连接器(深圳)有限公司  
Amphenol PCD Shenzhen  
受控文件  
2024年12月16日

\*Notes:

- Cable assembly data:
  - Rated Voltage: 1000V DC (POWER)
  - Rated Current: 40A (6mm<sup>2</sup> POWER)  
5A (HVIL)
  - Insulation Resistance: 100MΩ Min
  - Withstand Voltage: 3000V AC (POWER)  
660V AC (HVIL)
  - IP-Class: IP67 (Mated)
  - Mating Cycles: 50 Cycles
  - RoHS Compliance
  - Ambient Temperature: -40°C to +70°C
- Connector reference: C-HVSL362082XX06IXX
- The cable should be fixed at 100mm max from the rear of connector
- Cable minimum bending radius: ≥5OD

ITEM	P/N	DESCRIPTION	QTY	UNIT
③	P01BC00150	6mm <sup>2</sup> SHIELDING ORANGE OD=6.70±0.30	AR	m
	C210027207	6mm <sup>2</sup> SHIELDING ORANGE OD=6.25±0.25		
②	C310003623S	POWER TERMINAL FOR 6mm <sup>2</sup>	2	EA
①	HVSL362082XX06IXX	CONNECTOR:HVSL362082XX06IXX	1	EA

DIMENSIONS	TOLERANCES	PROJECTION	TITLE		
ANSI Y14.5M UNITS: MM CAD FILE	.X ±0.5 .XX ±0.05 ANGLES ±2'		Amphenol PCD Shenzhen		
ORIGINAL	THIS DOCUMENT CONTAINS PROPRIETARY INFORMATION WHICH IS THE CONFIDENTIAL PROPERTY OF Amphenol PCD Shenzhen Co. Ltd Amphenol PCD Shenzhen Co. Ltd RESERVES THE RIGHT TO CLARIFY THIS DRAWING		ENGR Lori.huang Dec-13-2024	SIZE A3	DWG NO. C-HVSL362082XX06IXXLXXXX
			CHKD 	SCALE 1:1	REV 1
			APPD 	SHEET 1 OF 1	