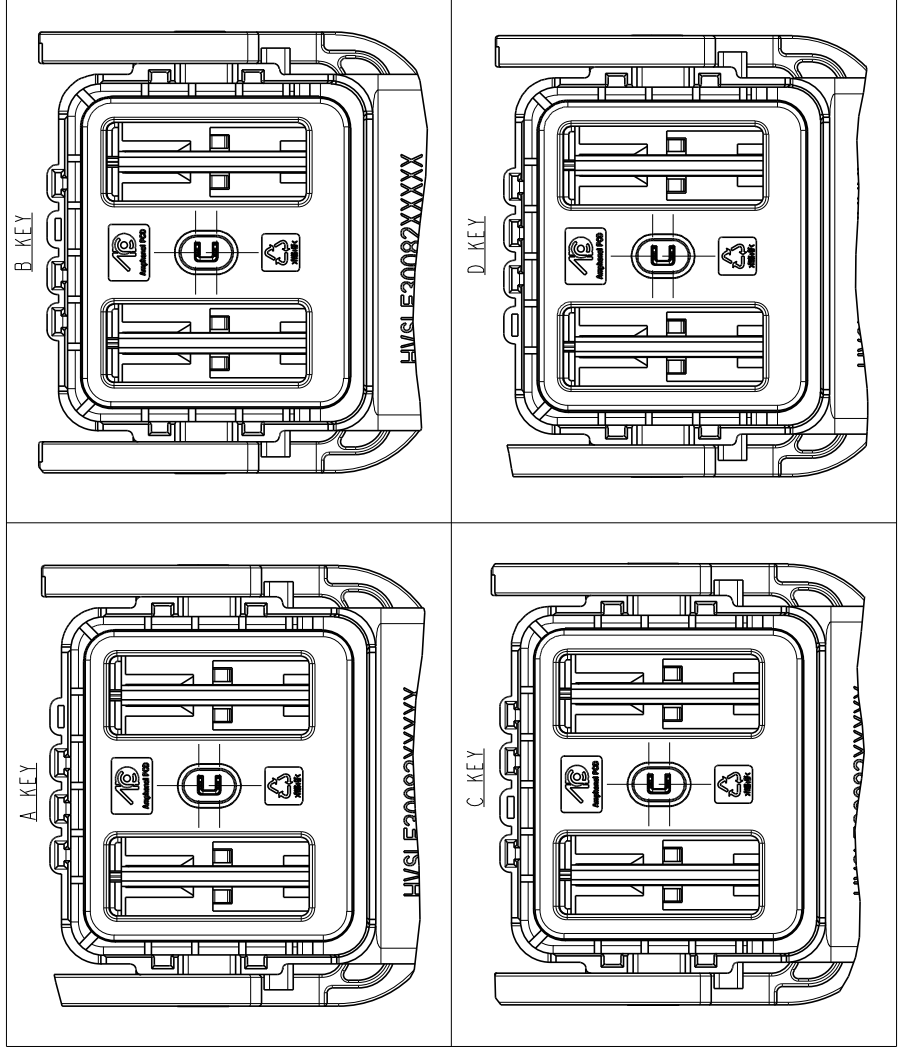
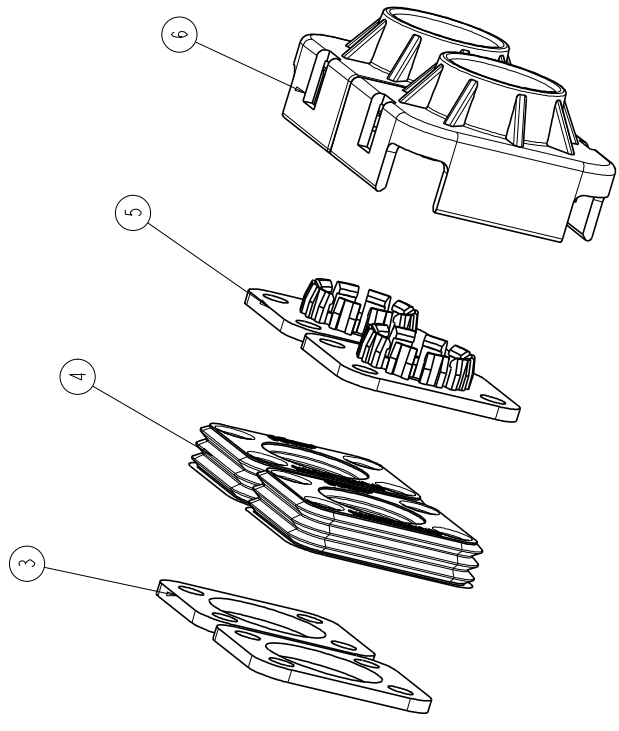
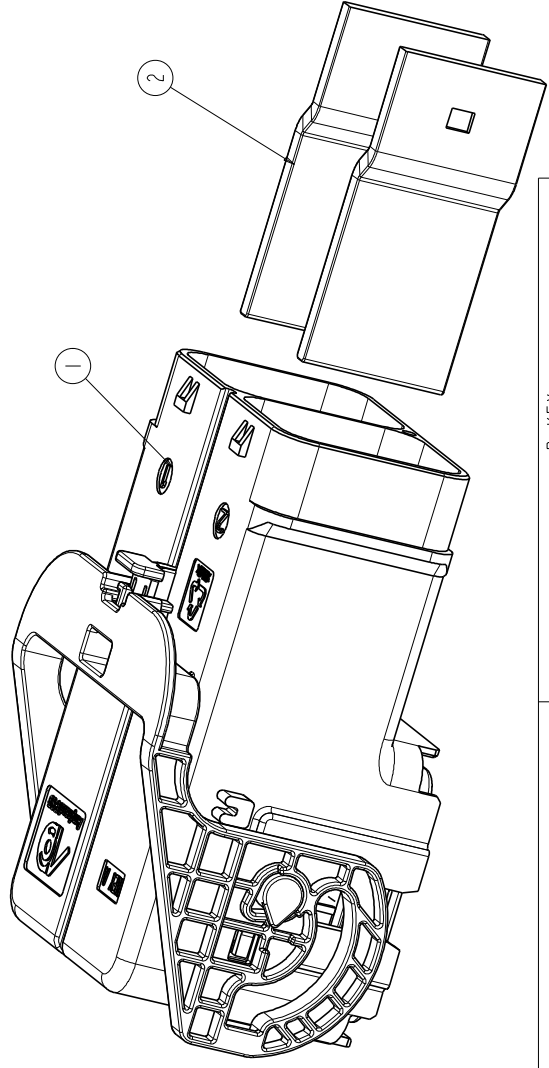


INDEX 1 ASSEMBLED SHIPMENT
INDEX 2-6 ACCESSORIES SHIPMENT

C-HVSLF30082XXXX



6	P01BP01157XX	END CAP XX=(03,04)	2	03: 9.5mm ² CABLE 04: 1.20mm ² CABLE
5	P01BP01215XX	CABLE CLAMP XX=(01,02)	2	01: 9.5mm ² CABLE 02: 1.20mm ² CABLE
4	P01BR01112XX	CABLE SEAL XX=(03,04)	2	03: 9.5mm ² CABLE 04: 1.20mm ² CABLE
3	P01BP01214	GUARD PLATE	2	
2	P01BS00585	CONTACT	2	
1	HVSLF30082XY	PLUG BODY X=(A,B,C,D)KEY Y=(0,1)	1	0: WITHOUT SIGNAL 1: WITH SIGNAL
INDEX	P/N	DESCRIPTION	QTY	NOTE

SIZE	DWG NO.	REV
A3	C-HVSLF30082XXXX	1
SCALE: 1:1		SHEET 2 OF 2