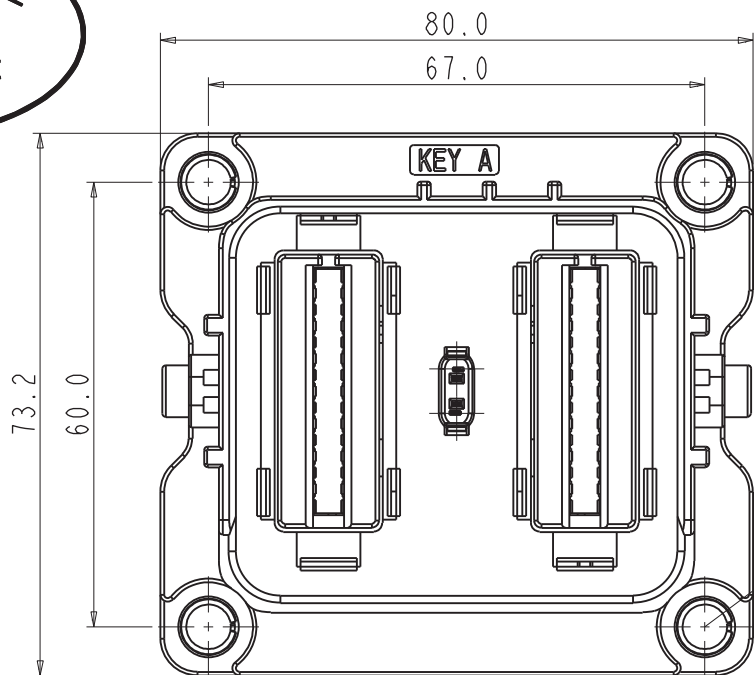


REV	ECN	DESCRIPTION	DATE	MODIFIED
1		RELEASE	Jan-27-2024	

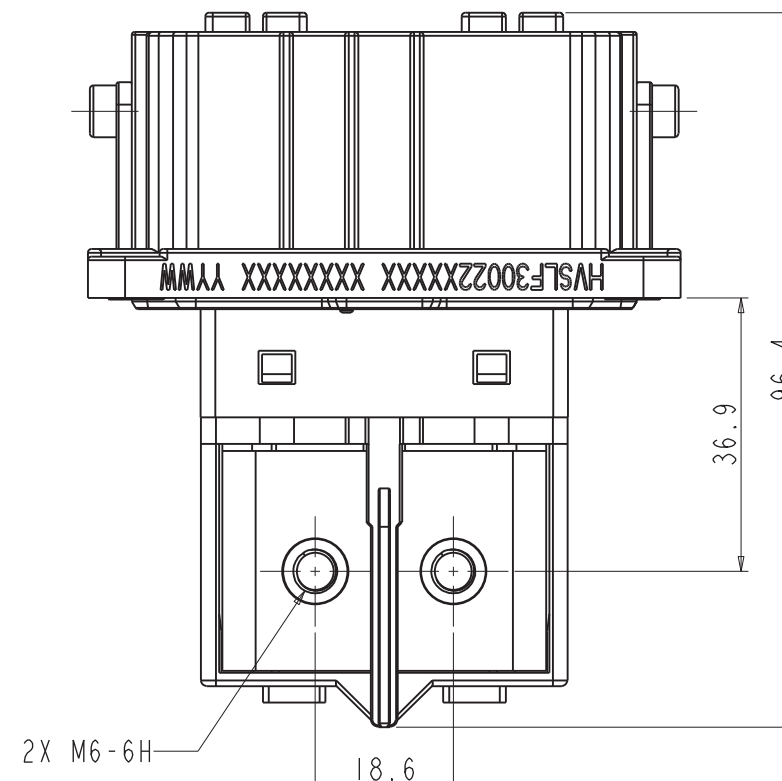
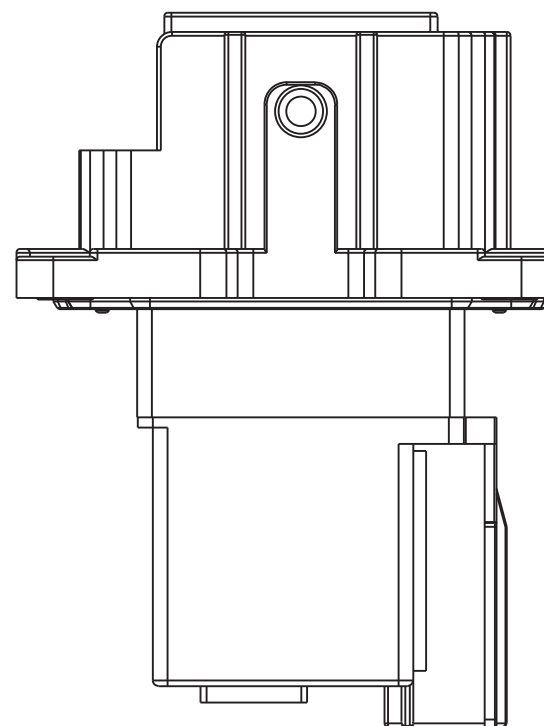
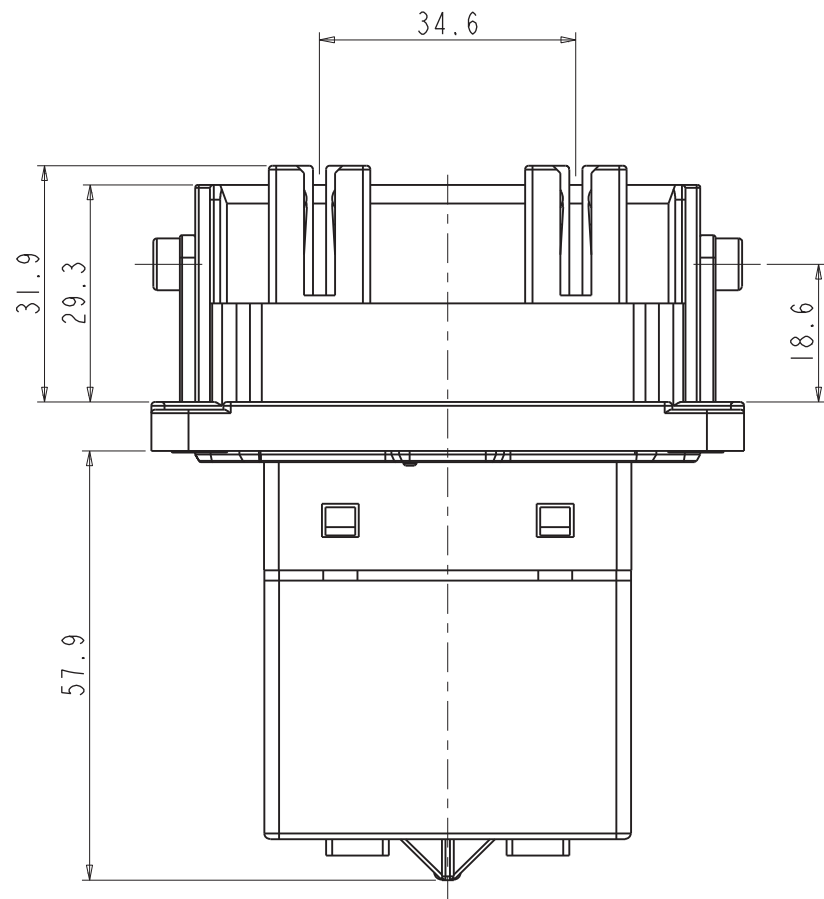
Amphenol PCDSZ
ORIGINAL
PDF Format
R&D



安费诺精密连接器(深圳)有限公司
Amphenol PCD Shenzhen
受控文件
2024年11月14日

TECHNICAL DATA		
CURRENT RATE 95MM ² WIRE	350A	✦
CURRENT RATE 120MM ² WIRE	430A	✦
SIGNAL CURRENT	5A MAX	✦
VOLTAGE RATE	POWER: 1000V DC	✦
OPERATING TEMPERATURE	-40-125°C	NA
DIELECTRIC WITHSTANDING VOLTAGE	POWER: 3000V AC	✦
	SIGNAL: 660V AC	
INSULATION RESISTANCE	>100MΩ	✦
DURABILITY	50 CYCLES	◎
SHIELDING	YES	NA
WATERPROOF (MATED CONDITION)	IP67 IP6K9K	✦
UNMATED CONDITION	IP2XB	✦
CORROSION-PROFF GRADE (SALT FOG TEST)	96 HOURS	NA
AMBIENT TEMPERATURE	-40-70°C	NA

4XM5 MOUNTING SCREW
TORQUE: 2.5N.m

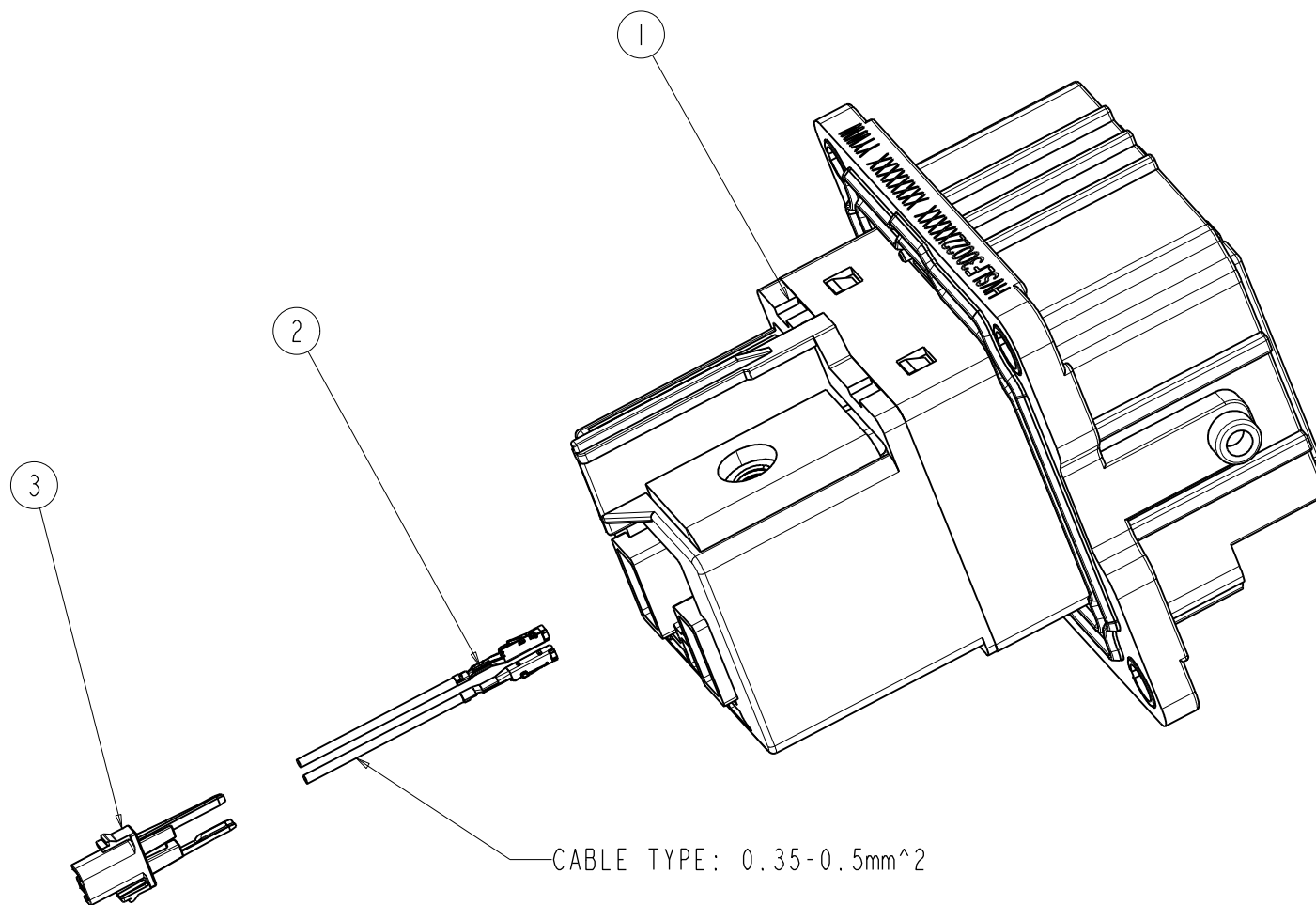


APPLICATION:
POLLUTION DEGREE 2 / 污染等级 2
OVERVOLTAGE CATEGORY II / 过电压类别 II
INHOMOGENEOUS FIELD / 非均匀电场
ALTITUDE NO MORE THAN 4000M / 海拔不高于4000M

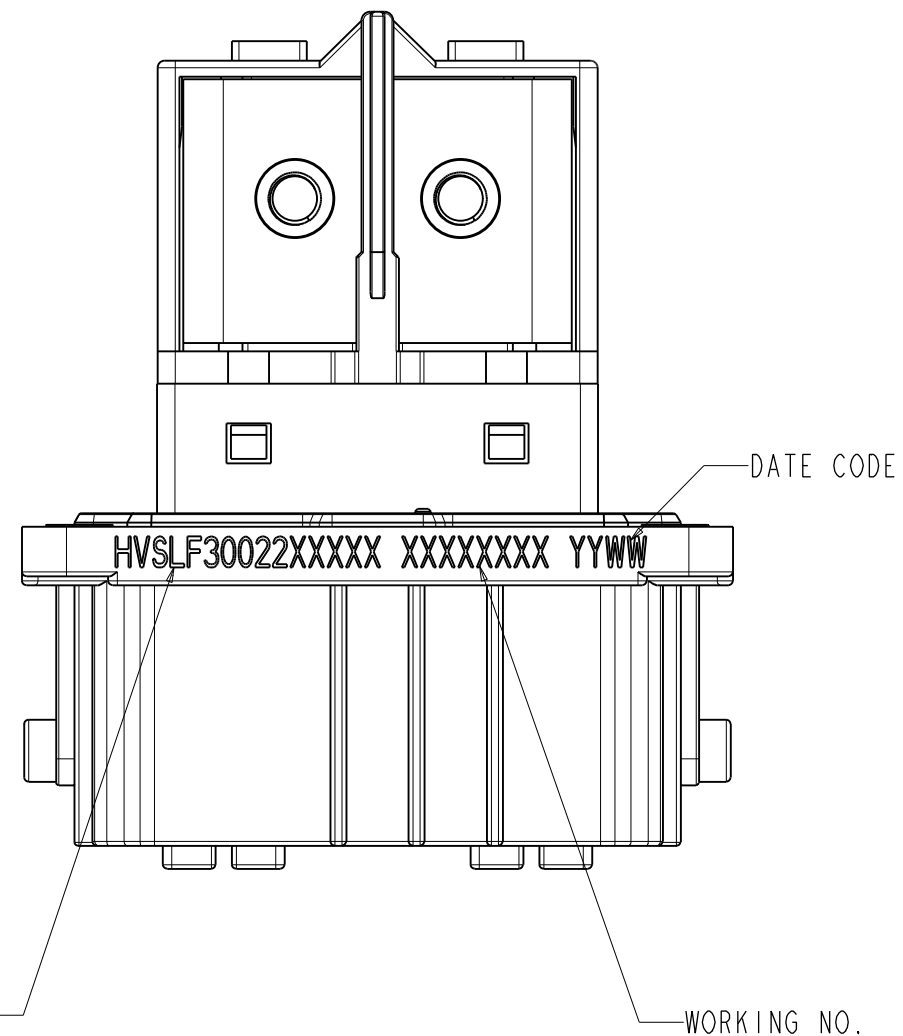
✦ IS CRITICAL CHARACTERISTIC SYMBOL
◎ IS IMPORTANT CHARACTERISTIC SYMBOL

DIMENSIONS	TOLERANCES	PROJECTION	TITLE		
ANSI Y14.5M UNITS: MM Pro/E FILE	X ±0.5 XX ±0.05 ANGLES ±2°		HVSLF300 RECEPTACLE UNSHIELDED		
ORIGINAL	THIS DOCUMENT CONTAINS PROPRIETARY INFORMATION WHICH IS THE CONFIDENTIAL PROPERTY OF Amphenol PCD Shenzhen Co. Ltd Amphenol PCD Shenzhen Co. Ltd RESERVES THE RIGHT TO CLARIFY THIS DRAWING	ENGR Jan-27-2024 CHKD APPD			
			SCALE: 1:1		SHEET 1 OF 4

安费诺精密连接器(深圳)有限公司
Amphenol PCD Shenzhen
受控文件
2024年11月14日



HVSLF30022 X X XX U
 H6:M6 NUT
 0: WITHOUT SIGNAL
 1: WITH SIGNAL
 A: A KEY
 B: B KEY
 C: C KEY
 D: D KEY

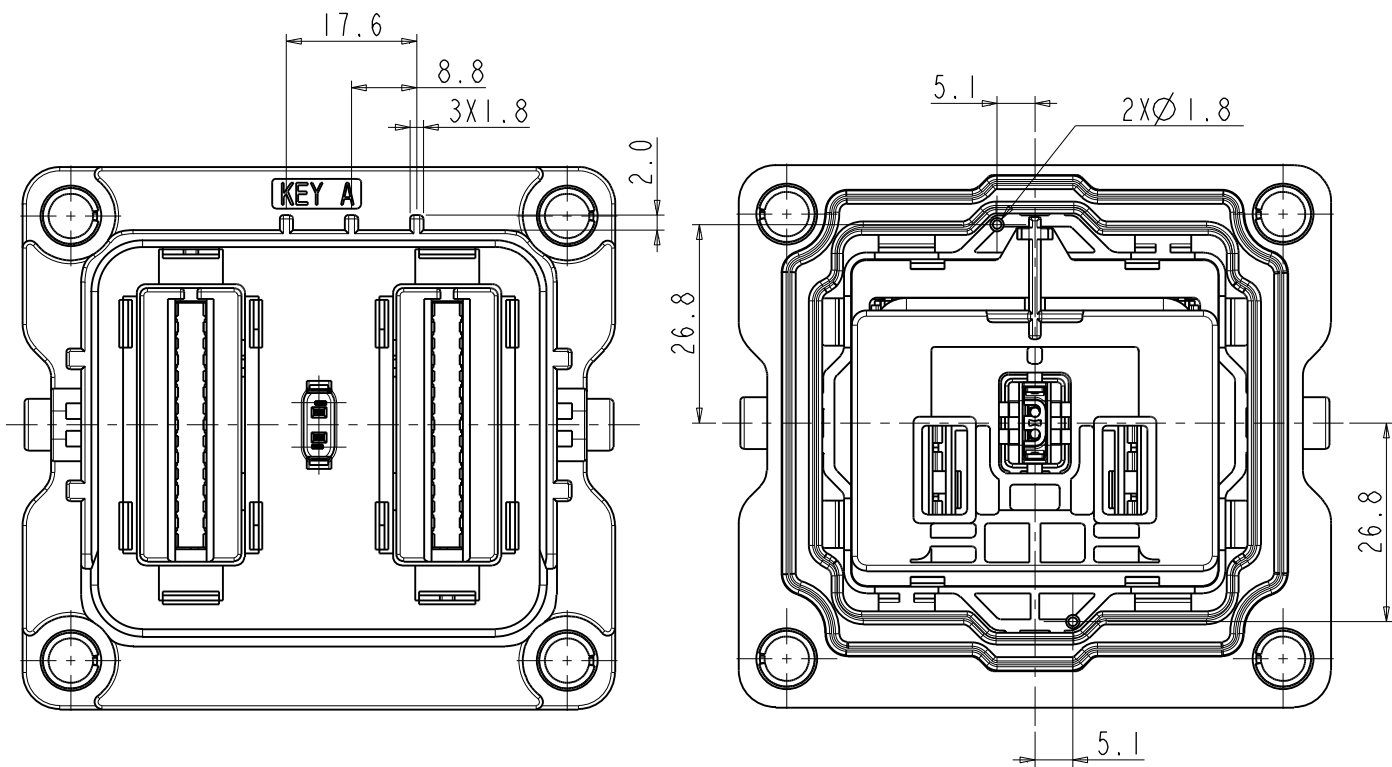


3	P0IBP00469	TPA	1	LOOSEN PACKING
2	C310003614S	SIGNAL CONTACT SEPARATELY ORDER	2	
1	HVSLF30022X0H6U	RECEPTACLE BODY X=(A.B.C.D)	1	
INDEX	P/N	DESCRIPTION	QTY	NOTE

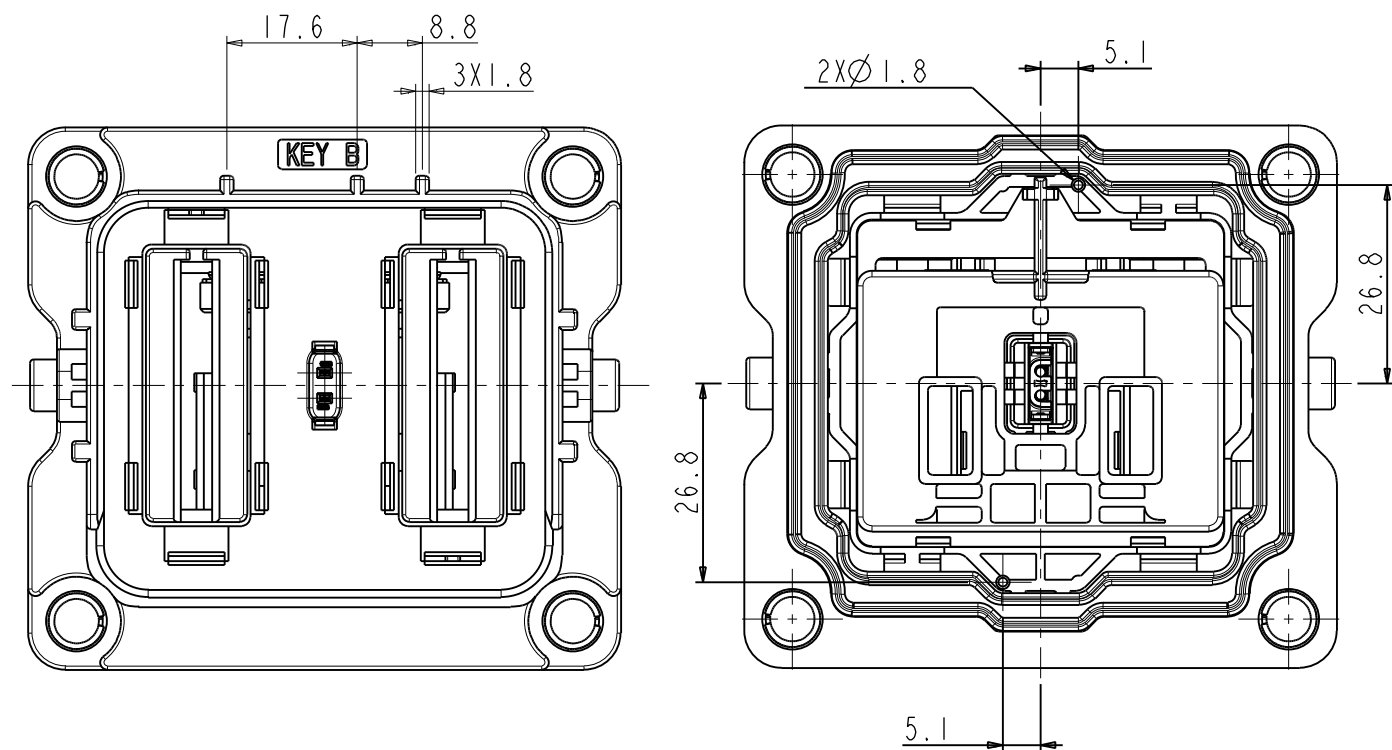
SIZE A3	DWG NO. C.HVSLF30022XXH6	REV 1
SCALE: 1:1		SHEET 2 OF 4

C.HVSLF30022XXH6

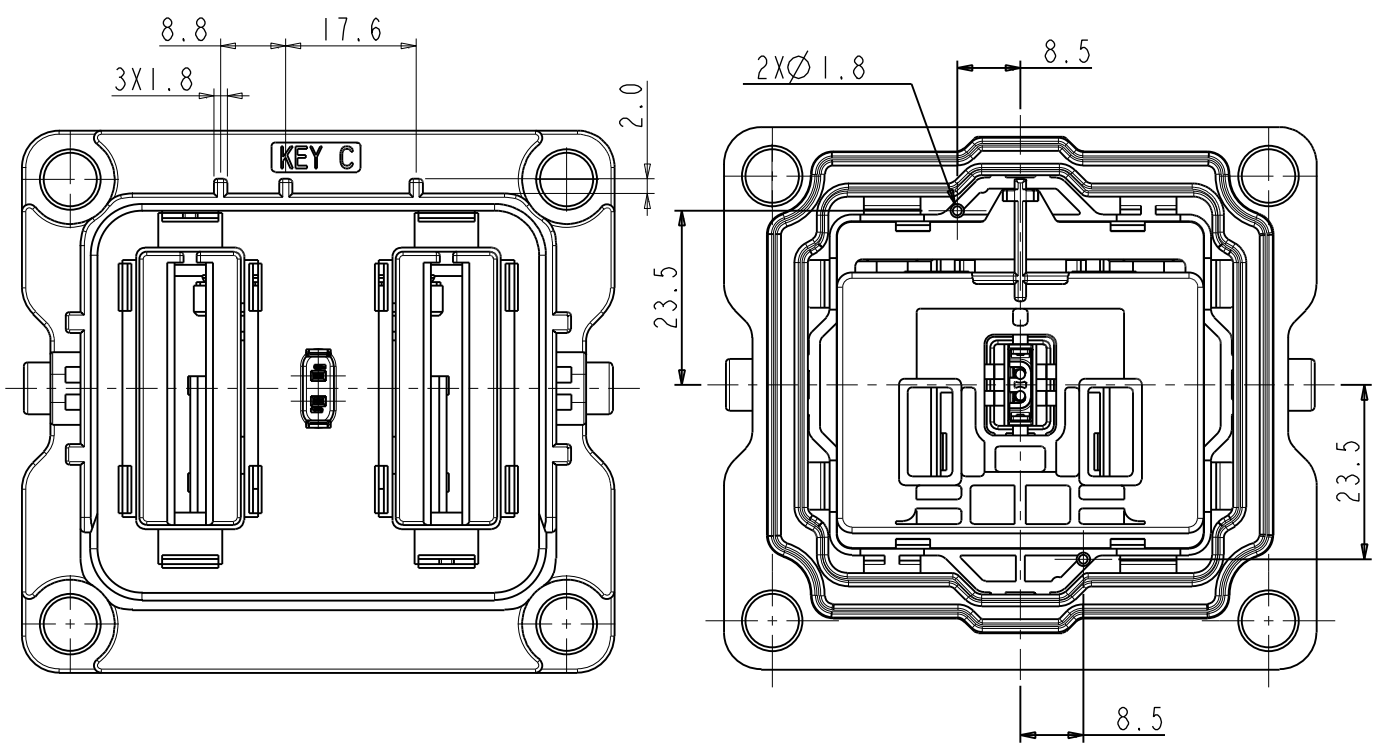
C.HVSLF30022XXH6



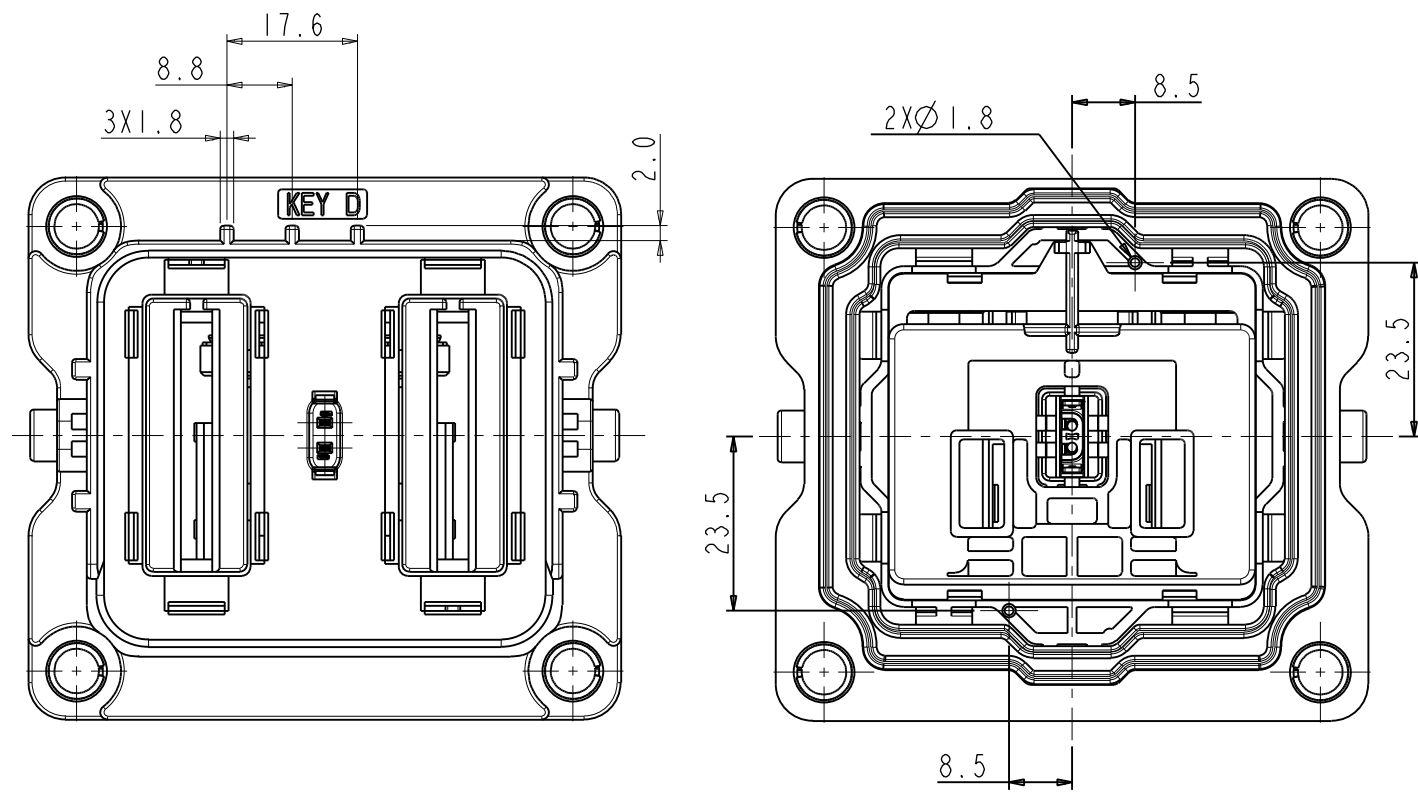
A KEY



B KEY



C KEY



D KEY

C.HVSLF30022XXH6

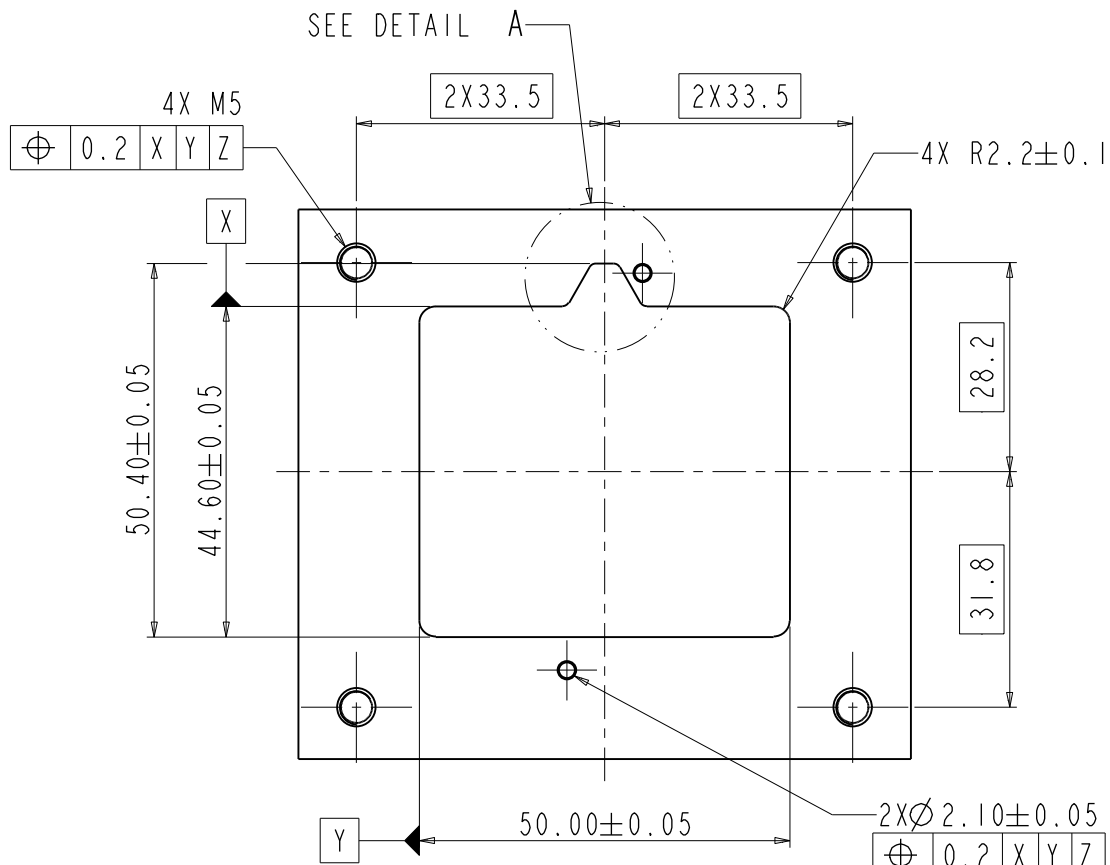
C.HVSLF30022XXH6

安费诺精密连接器(深圳)有限公司
Amphenol PCD Shenzhen

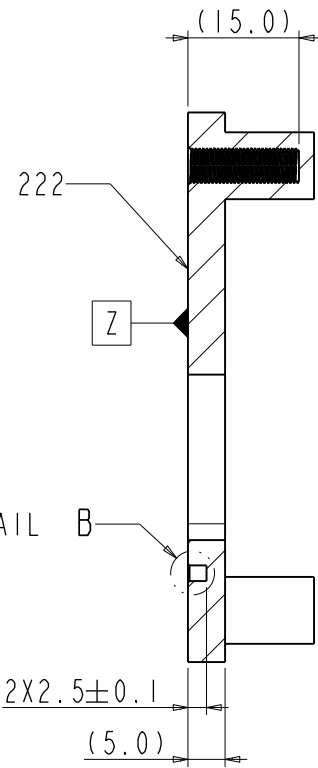
受控文件

2024年11月14日

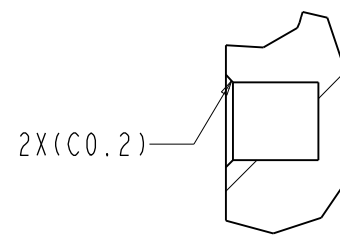
SIZE A3	DWG NO. C.HVSLF30022XXH6	REV 1
SCALE: 1:1		SHEET 3 OF 4



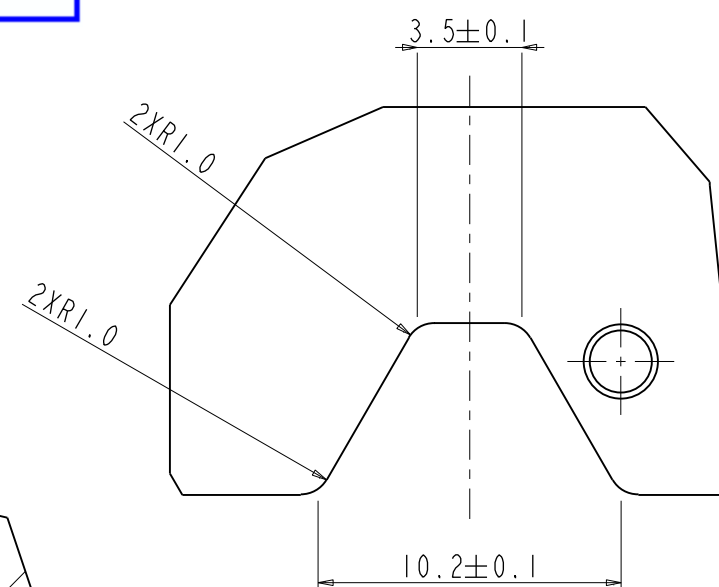
MOUNTING INTERFACE SPECIFICATION
(KEY A MOUNTING INTERFACE SHOWN)



SECTION A-A



DETAIL B
SCALE 5:1



DETAIL A
SCALE 4:1

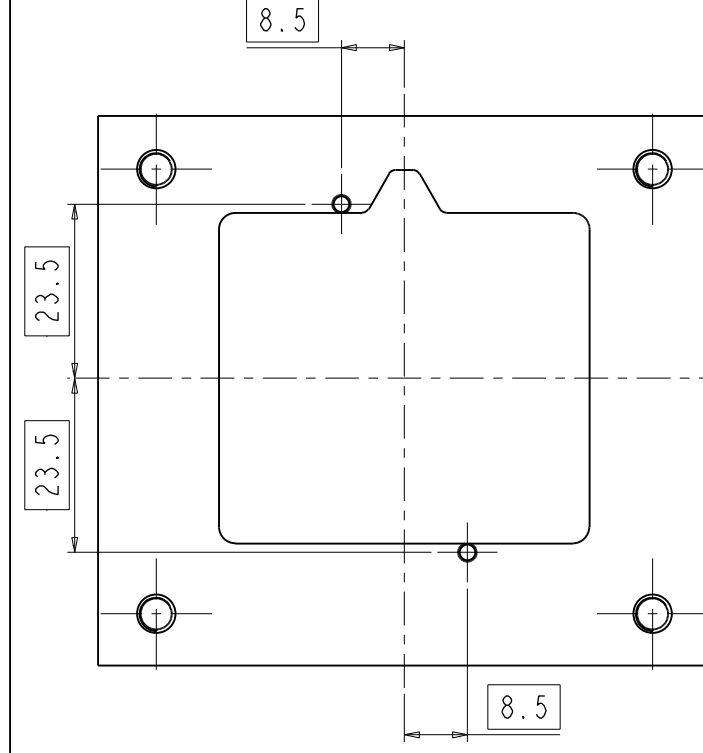
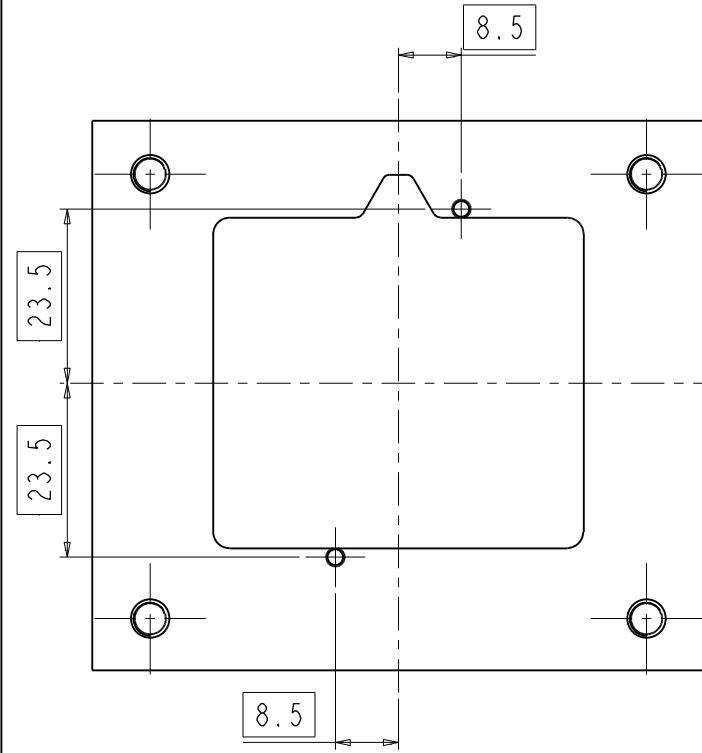
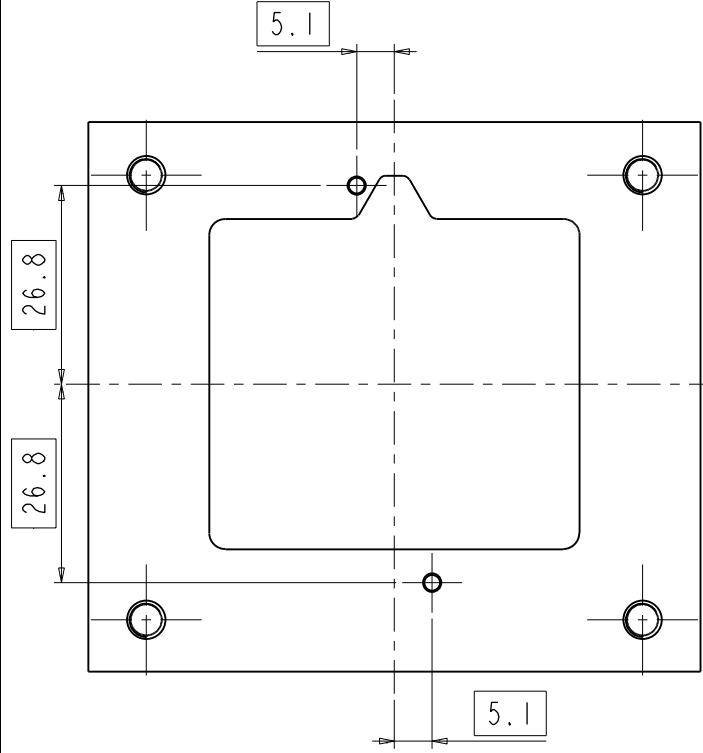
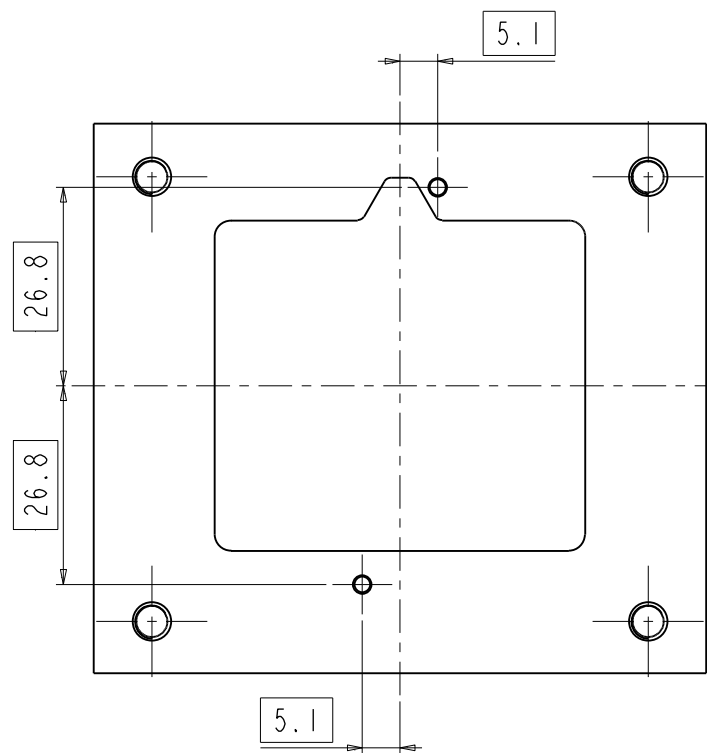
TOP VIEW

KEY A

KEY B

KEY C

KEY D



C.HVSLF30022XXH6

C.HVSLF30022XXH6

SIZE	DWG NO.	REV
A3	C.HVSLF30022XXH6	1
SCALE: 1:1		SHEET 4 OF 4