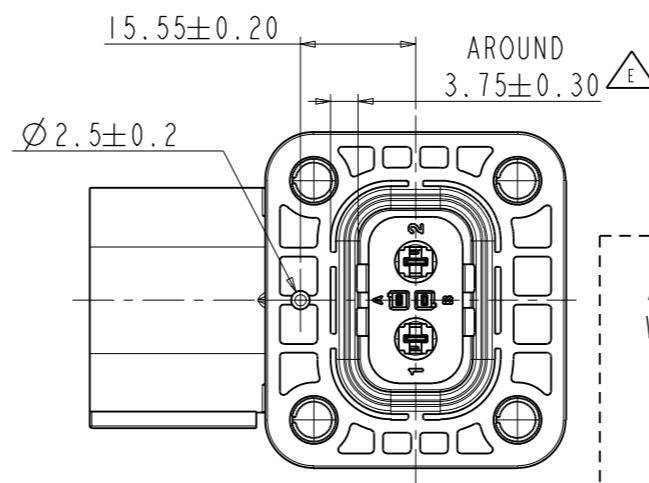
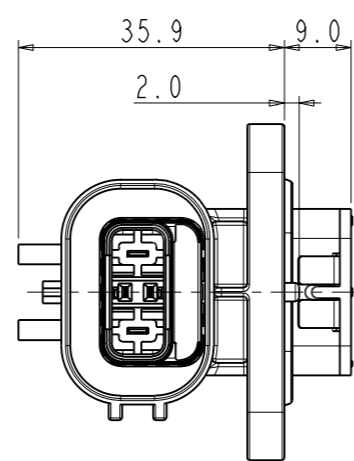
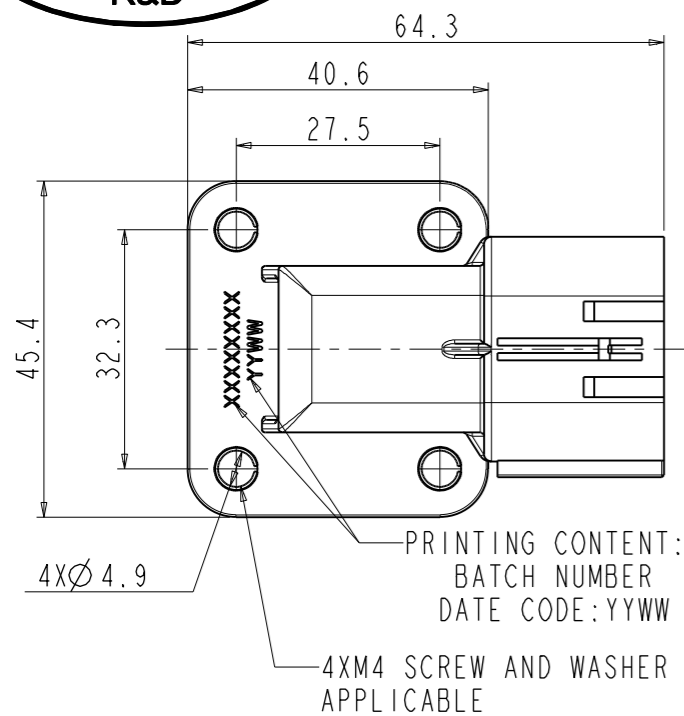


Amphenol PCD SZ
ORIGINAL
PDF Format
R&D



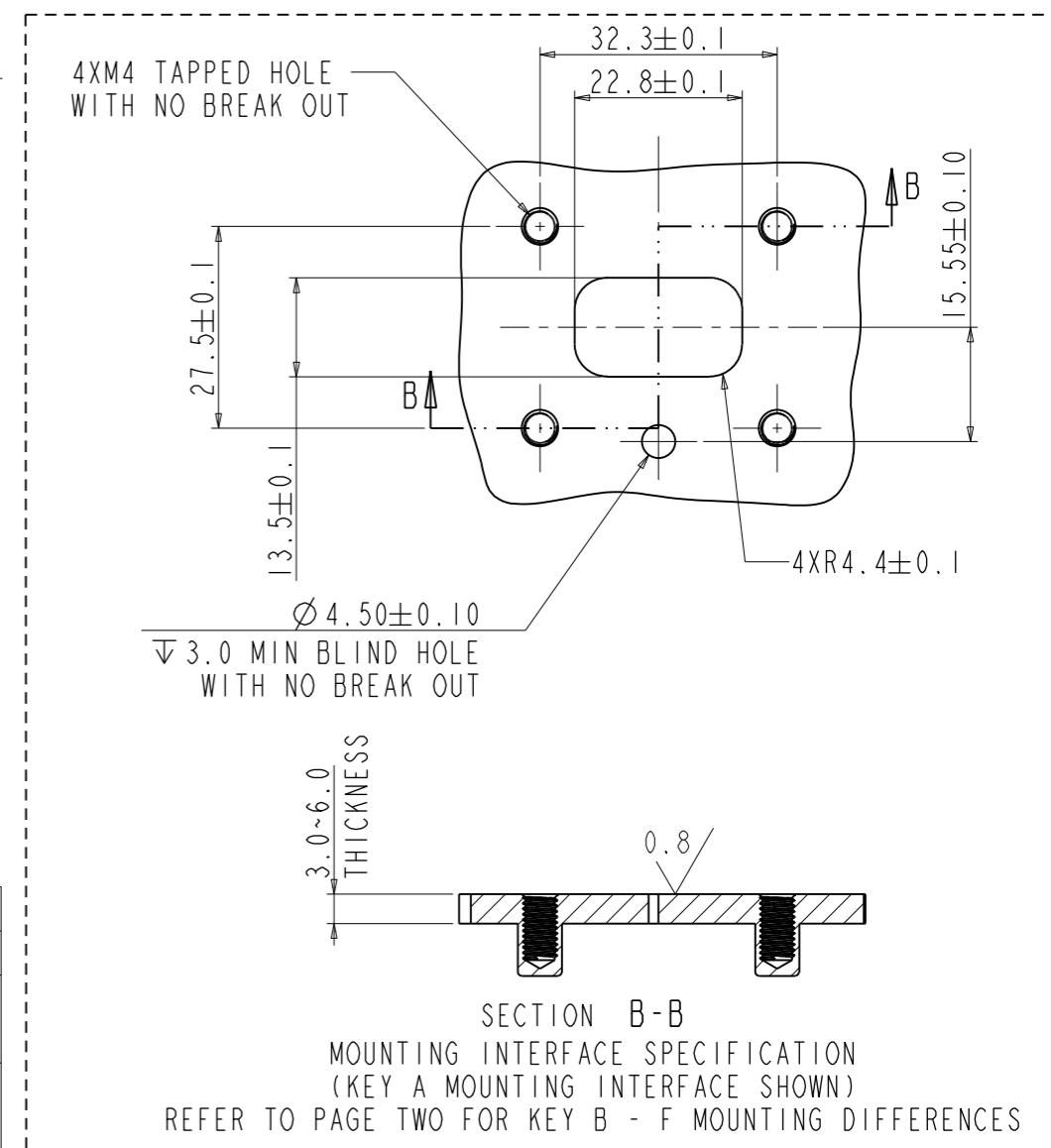
REV	ECN	DESCRIPTION	DATE	MODIFIED
A		FIRST RELEASE	2018.06.13	
B	C3187	ADD SIGNAL CABLE OD	2019.03.13	
C	R0380N	ADJUST RATING VOLTAGE	2019.03.23	
D	C3275-N	Correction of drawing errors	2019.4.24	
E	C4966N	ENLARGE THE SEALING GROOVE	2020.12.21	

NOTE:
1. RECEPTACLE DON'T INCLUDE CONTACT PIN, NEED TO BUY SEPARATE:
THE MAIN CONTACT: C310003612S, USE LEVEL: 2PCS
THE HVIL CONTACT: C310003614S, USE LEVEL: 2PCS
2. PREVAILING TORQUES: 2N*M

HVSL 282 04 2 X X

- A: KEY A
- B: KEY B
- C: KEY C
- D: KEY D
- E: KEY E
- F: KEY F
- 0: WITHOUT HVIL
- 1: WITH HVIL

SCOPE OF CABLE OUTSIDE DIAMETER		
SIZE	OUTSIDE DIAMETER	REMARK
0.5MM ²	1.4~1.9MM	SIGNAL CABLE
0.75 MM ²		
2.5 MM ²	2.7~3.7 MM	POWER CABLE
3 MM ²		
4 MM ²		



✦: CRITICAL CHARACTERISTICS 关键特性
◎: IMPORTANT CHARACTERISTICS 重要特性

TECHNICAL DATA		
CURRENT RATE (4MM ² UNSHIELD CABLE)	32A @ AMBIENT 70°C	✦
CURRENT RATE (2.5~3MM ² UNSHIELD CABLE)	23A @ AMBIENT 70°C	✦
RATING VOLTAGE (OVERVOLTAGE CATEGORY II POLLUTION DEGREE 2)	1000V DC	✦
OPERATING TEMPERATURE	-40~125°C	
DIELECTRIC WITHSTAND VOLTAGE	POWER CONTACT 3000V AC(RMS)	✦
	SIGNAL CONTACT 660V AC (RMS)	
INSULATION RESISTANCE	200MΩ MIN. 25°C, NO CABLE	✦
DURABILITY	50 CYCLES	◎
SHIELDING	YES	
WATERPROOF (MATED CONDITION)	IP 67, IP6K9K	✦
PROTECTION LEVEL	IP2XB	✦
AMBIENT TEMPERATURE	-40~70°C	
RoHS	YES	✦

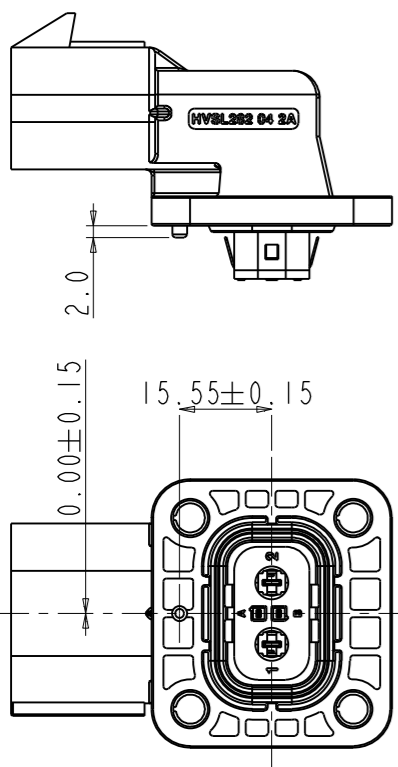
DIMENSIONS	TOLERANCES	PROJECTION	TITLE
ANSI Y14.5M	.X ±0.5		Amphenol PCD Shenzhen ENGR 2020.12.21
UNITS: MM	.XX ±0.05		
Pro/E FILE	ANGLES ±2°	CHKD	SIZE
ORIGINAL	THIS DOCUMENT CONTAINS PROPRIETARY INFORMATION WHICH IS THE CONFIDENTIAL PROPERTY OF Amphenol PCD Shenzhen Co. Ltd Amphenol PCD Shenzhen Co. Ltd RESERVES THE RIGHT TO CLARIFY THIS DRAWING	APPD	DWG NO.
		APPD	A3

CODE	SCALE	SHEET	REV
58982	2:1	1 OF 2	E

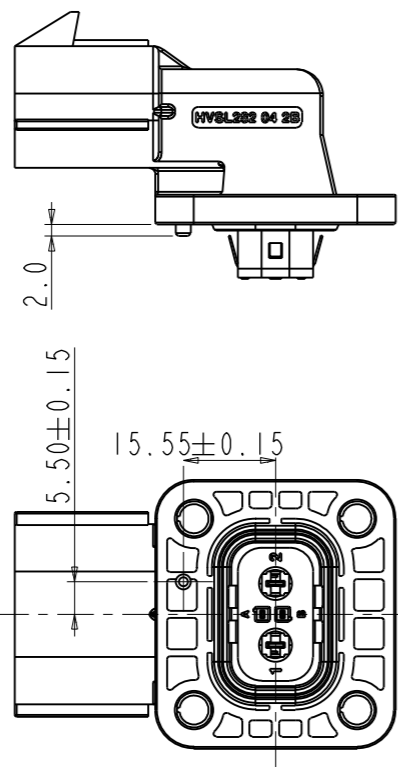
C-HVSL282042XX

KEY A - F MOUNTING DIFFERENCES RECEPTACLE

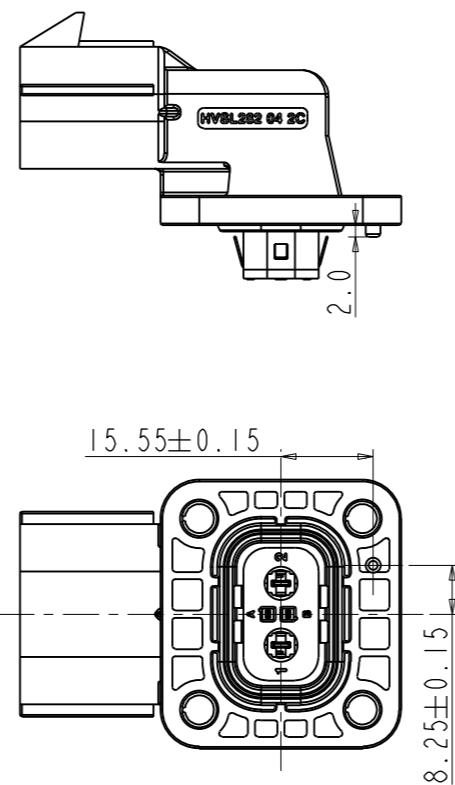
042AX (KEY A)



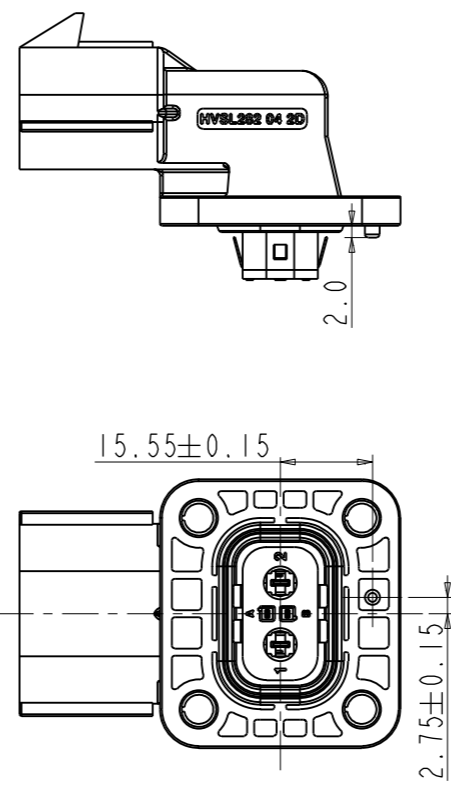
HVSL282042BX (KEY B)



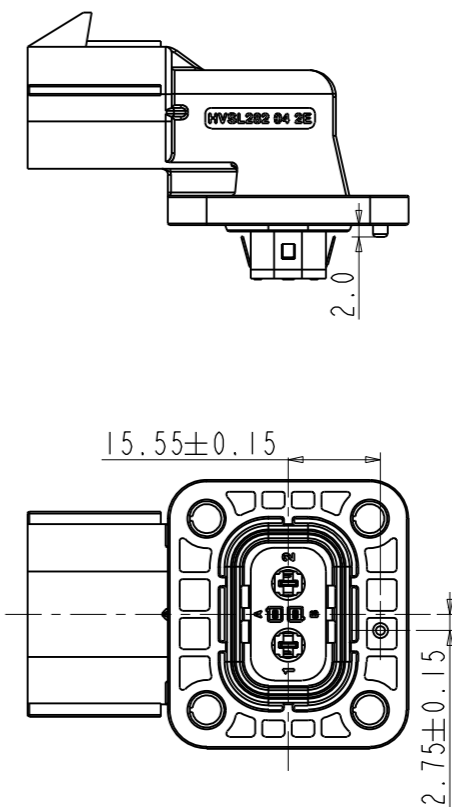
HVSL282042CX (KEY C)



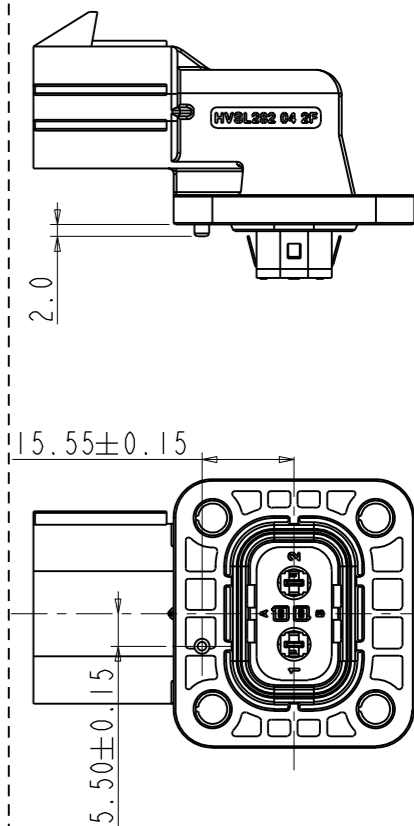
HVSL282042DX (KEY D)



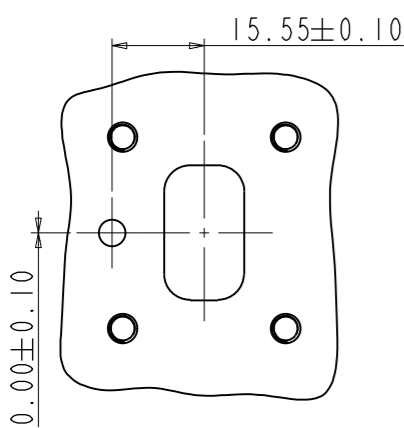
HVSL282042EX (KEY E)



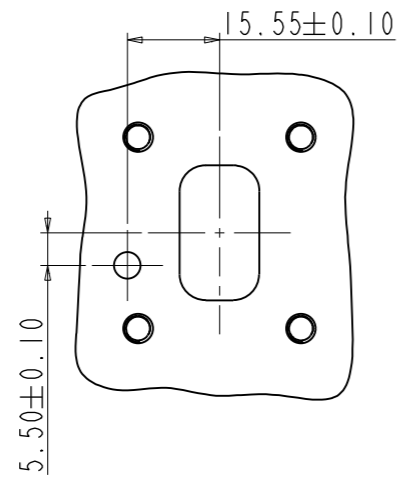
HVSL282042FX (KEY F)



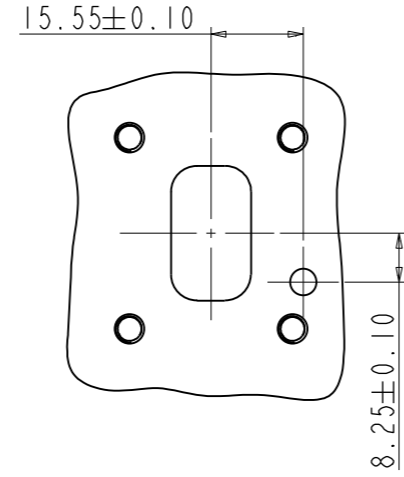
INTERFACE VIEW - MOUNTING SIDE



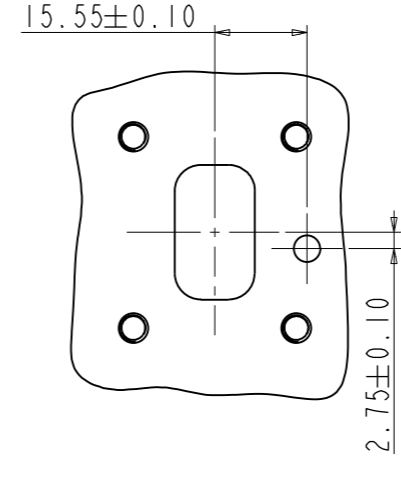
KEY A MOUNTING INTERFACE



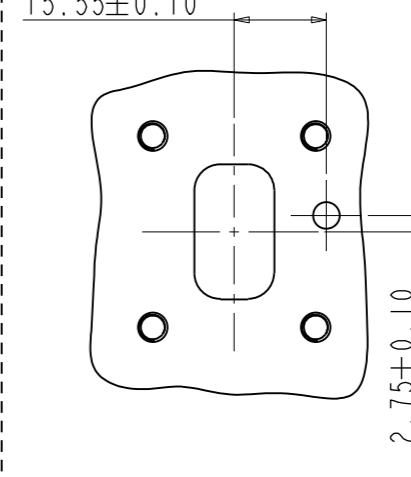
KEY B MOUNTING INTERFACE



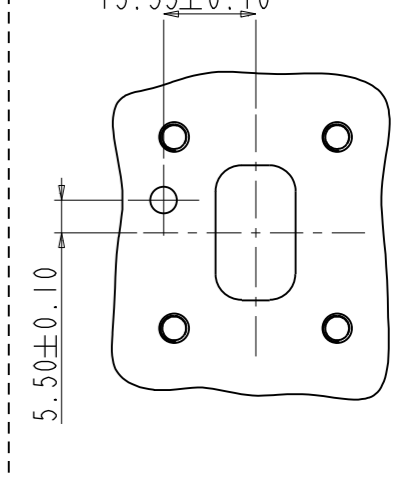
KEY C MOUNTING INTERFACE



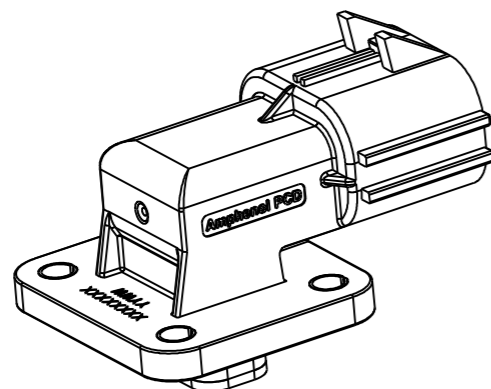
KEY D MOUNTING INTERFACE



KEY E MOUNTING INTERFACE



KEY F MOUNTING INTERFACE



C-HVSL282042XX

C-HVSL282042XX

SIZE	DWG NO.	REV
A3	C-HVSL282042XX	E
CODE: 58982	SCALE: 2:1	SHEET 2 OF 2