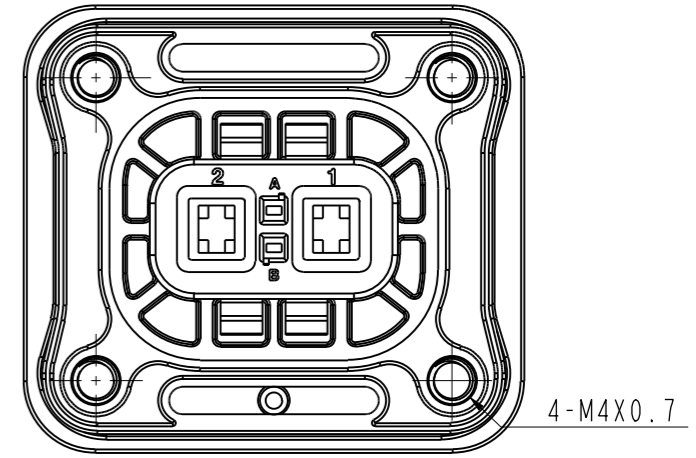
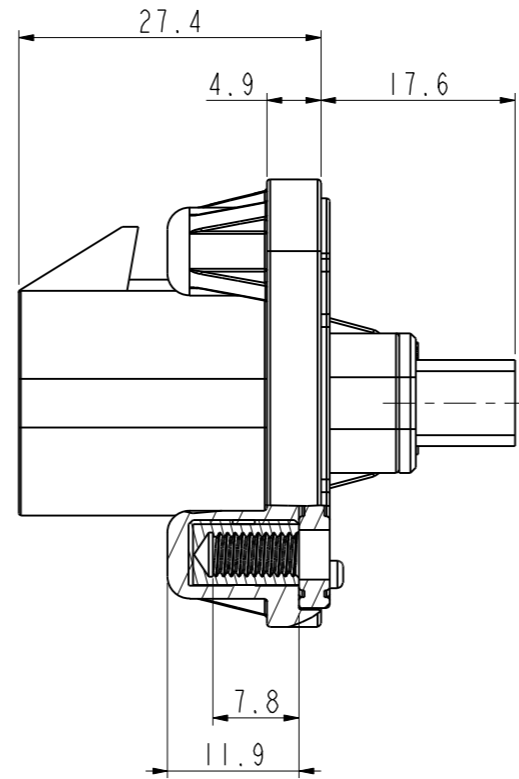
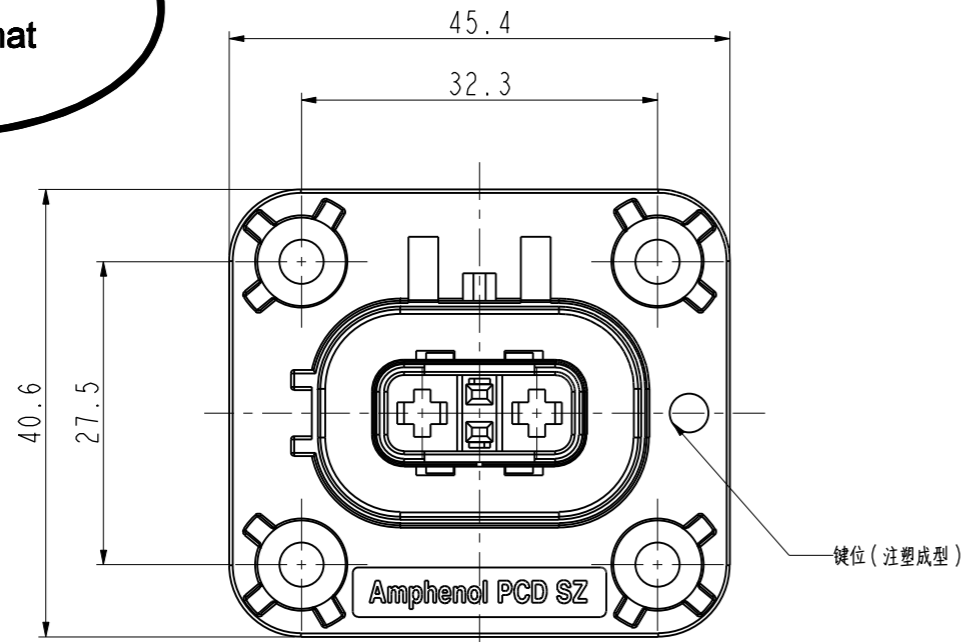


REV	ECN	DESCRIPTION	DATE	MODIFIED
1		PRE-RELEASE	2018.06.27	

Amphenol PCDSZ
ORIGINAL
PDF Format
R&D



NOTE:

- 1. MATERIAL:**
HOUSING:PA66,ORANGE COLOR(RAL 2003),UL94-V0
CONTACTS:COPPER ALLOY,TIN PLATED
SHIELD:COPPER ALLOY,TIN PLATED
SEAL:SILICONE,BLACK,50±10°,UL94-V0
- 2. RECEPTACLE DON'T INCLUDE CONTACT PIN,NEED TO BUY SEPARATE:**
THE MAIN CONTACT:C310003611S,USE LEVEL: 2PCS
THE HVIL CONTACT:C310003614S,USE LEVEL: 2PCS
- 3. RECOMMEND LOCKING TORQUE:4 N.M**
DAMAGE TO THE TORSION:6 N.M
RETENTION OF NUTS IN THE SHELL:200N
- 4. RoHS COMPLIANT**
- 5. PART NUMBER DESCRIPTION:**
HVSL282 032 X

KEY OF CODING OPTION

- A: KEY A
- B: KEY B
- C: KEY C
- D: KEY D
- E: KEY E
- F: KEY F

6. SCOPE OF CABLE OUTSIDE DIAMETER

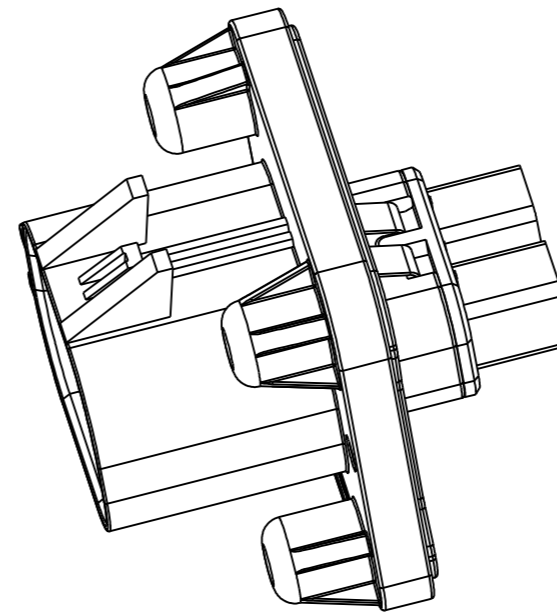
SCOPE OF CABLE OUTSIDE DIAMETER	
SIZE	OUTSIDE DIAMETER
2.5 MM ²	2.7~3.7 MM
3 MM ²	2.7~3.7 MM
4 MM ²	3.0~4.0 MM

★ CRITICAL CHARACTERISTIC MARKS / 关键特性符号;

◎ IMPORTANT CHARACTERISTIC MARKS / 重要特性符号;

6. TECHNICAL DATA

TECHNICAL DATA		
CURRENT RATING (4MM ² UNSHIELD CABLE)	32A @ AMBIENT 70° C	+
CURRENT RATING (2.5~3MM ² UNSHIELD CABLE)	23A @ AMBIENT 70° C	+
RATING VOLTAGE (OVERVOLTAGE CATEGORY II POLLUTION DEGREE 2)	1000V DC	+
OPERATING TEMPERATURE	-40~125° C	
DIELECTRIC WITHSTANDING VOLTAGE	2600V AC	+
INSULATION RESISTANCE	2000MΩ MIN. 25° C, NO CABLE	+
DURABILITY	50 CYCLES (MIN)	◎
SHIELDING	YES	
WATERPROOF (MATED CONDITION)	IPX8, IP6K9K	+
PROTECTION LEVEL	IP2XB	+
AMBIENT TEMPERATURE	-40~70° C	



DIMENSIONS	TOLERANCES	PROJECTION	TITLE		
ANSI Y14.5M UNITS: MM Pro/E FILE	.X ±0.5 .XX ±0.05 ANGLES ±0.5°		HVSL282032X RECEPTACLE ASSEMBLY		
ORIGINAL NOT FOR CUSTOMER DISTRIBUTION	THIS DOCUMENT CONTAINS PROPRIETARY INFORMATION WHICH IS THE CONFIDENTIAL PROPERTY OF AMPHENOL PCD SHENZHEN				
			ENGR	2018.06.27	
			CHKD		
			APPD		
			SIZE	DWG NO.	REV
			A3	C-HVSL282032X	1
			CODE: 58982	SCALE: 1:1	SHEET 1 OF 3

HVSL282032A (KEY A)

HVSL282032B (KEY B)

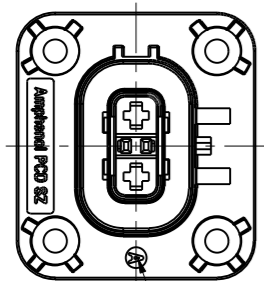
HVSL282032C (KEY C)

HVSL282032D (KEY D)

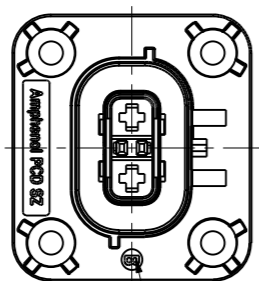
HVSL282032E (KEY E)

HVSL282032F (KEY F)

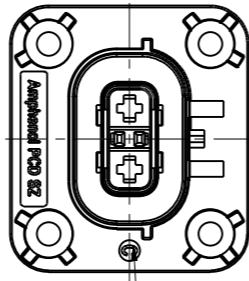
KEY "A" - F" MOUNTING DIFFERENCES RECEPTACLE



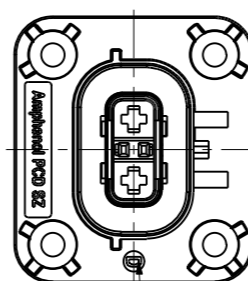
KEY A



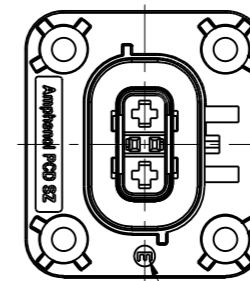
KEY B



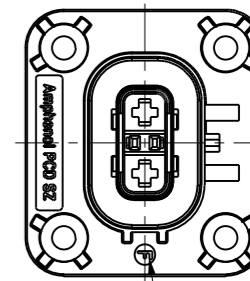
KEY C



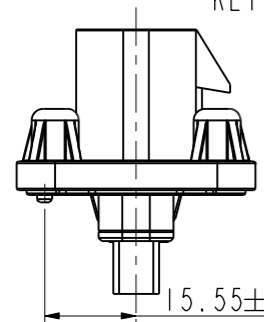
KEY D



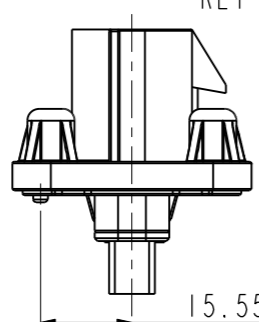
KEY E



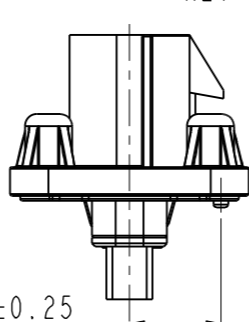
KEY F



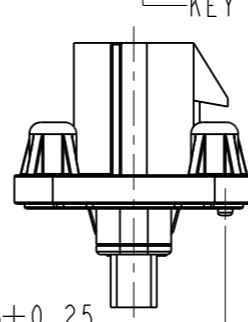
15.55±0.25



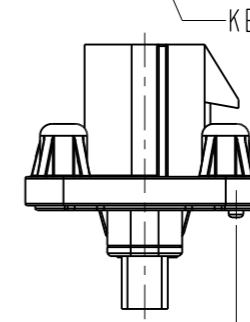
15.55±0.25



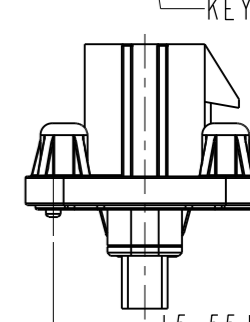
15.55±0.25



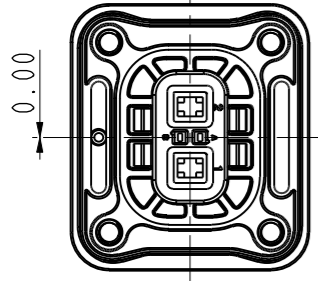
15.55±0.25



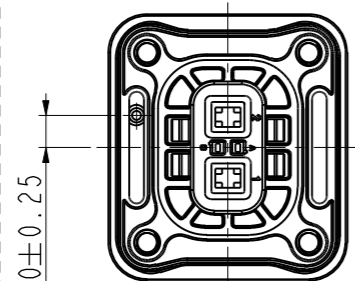
15.55±0.25



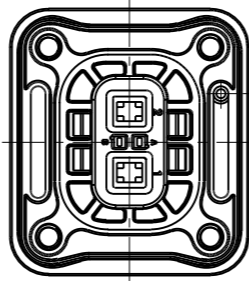
15.55±0.25



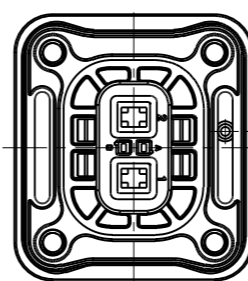
0.00



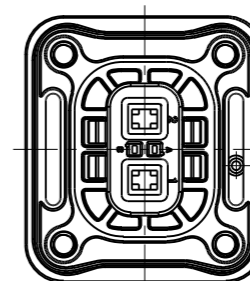
5.50±0.25



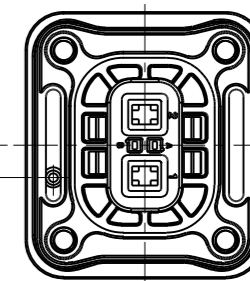
8.25±0.25



2.75±0.25

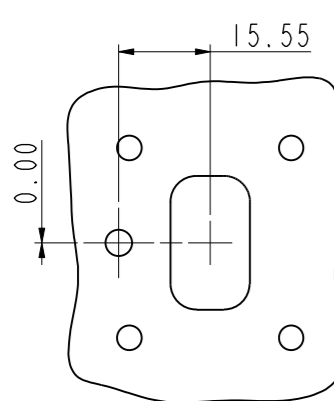


2.75±0.25



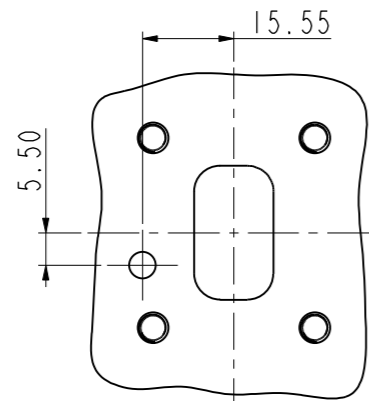
5.50±0.25

INTERFACE VIEW - MOUNTING SIDE



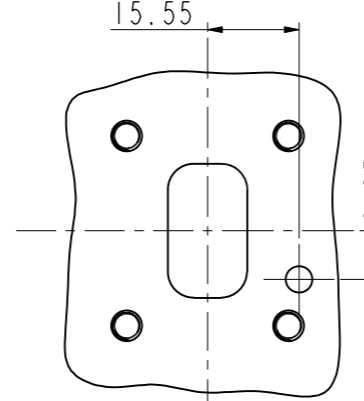
15.55

0.00



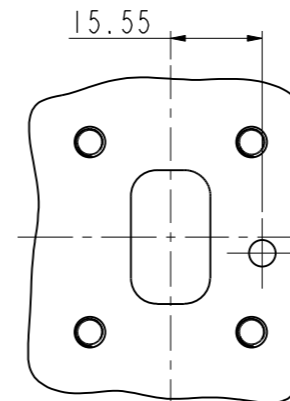
15.55

5.50



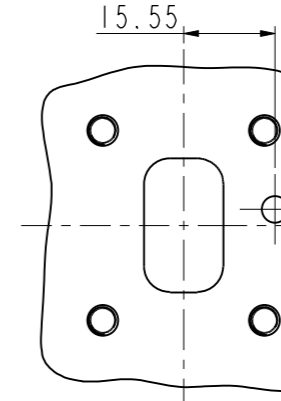
15.55

8.25



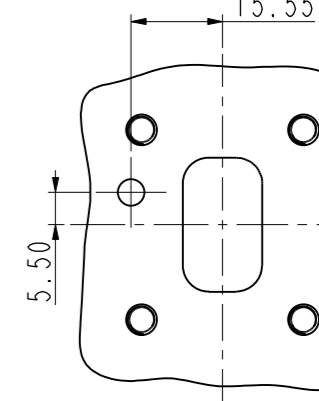
15.55

2.75



15.55

2.75



15.55

5.50

KEY A MOUNTING INTERFACE

KEY B MOUNTING INTERFACE

KEY C MOUNTING INTERFACE

KEY D MOUNTING INTERFACE

KEY E MOUNTING INTERFACE

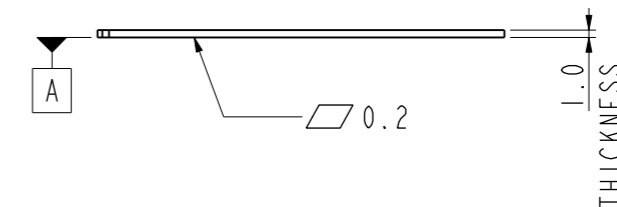
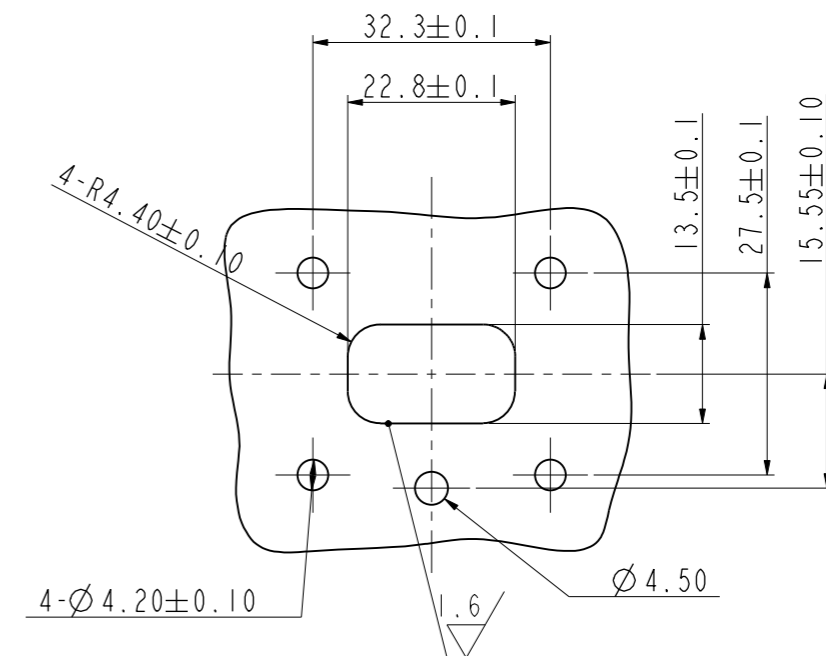
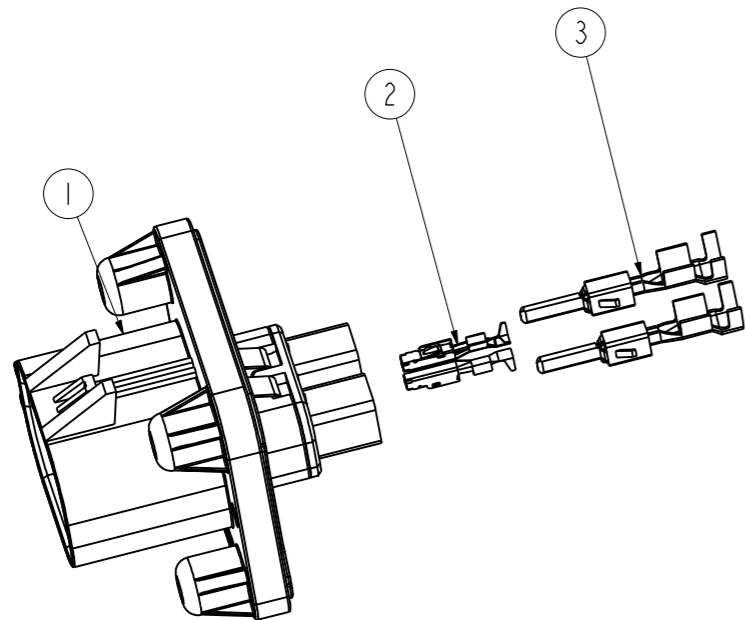
KEY F MOUNTING INTERFACE

C-HVSL282032X

C-HVSL282032X

✦ CRITICAL CHARACTERISTIC MARKS / 关键特性符号; ◉ IMPORTANT CHARACTERISTIC MARKS / 重要特性符号;

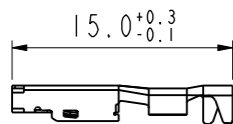
SIZE A3	DWG NO. C-HVSL282032X	REV 1
CODE: 58982	SCALE: 1:1	SHEET 2 OF 3



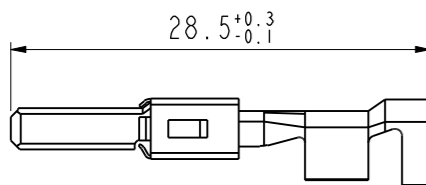
MOUNTING INTERFACE SPECIFICATION
 (KEY A MOUNTING INTERFACE SHOWN)
 REFER TO PAGE TWO FOR KEY B - F MOUNTING DIFFERENCES

3	C431003611S	POWER PIN	2	SINGLE PURCHASE
2	C431003614S	HVIL PIN	2	SINGLE PURCHASE
1	HVSL282032X	RECEPTACLE BODY(A,B,C,D,E,F)	1	NA
ITEM	PART NO.	DESCRIPTION	Q'TY	REMARK

C431003614S



C431003611S



C-HVSL282032X

C-HVSL282032X

SIZE	DWG NO.	REV
A3	C-HVSL282032X	1
CODE: 58982	SCALE: 1:1	SHEET 3 OF 3