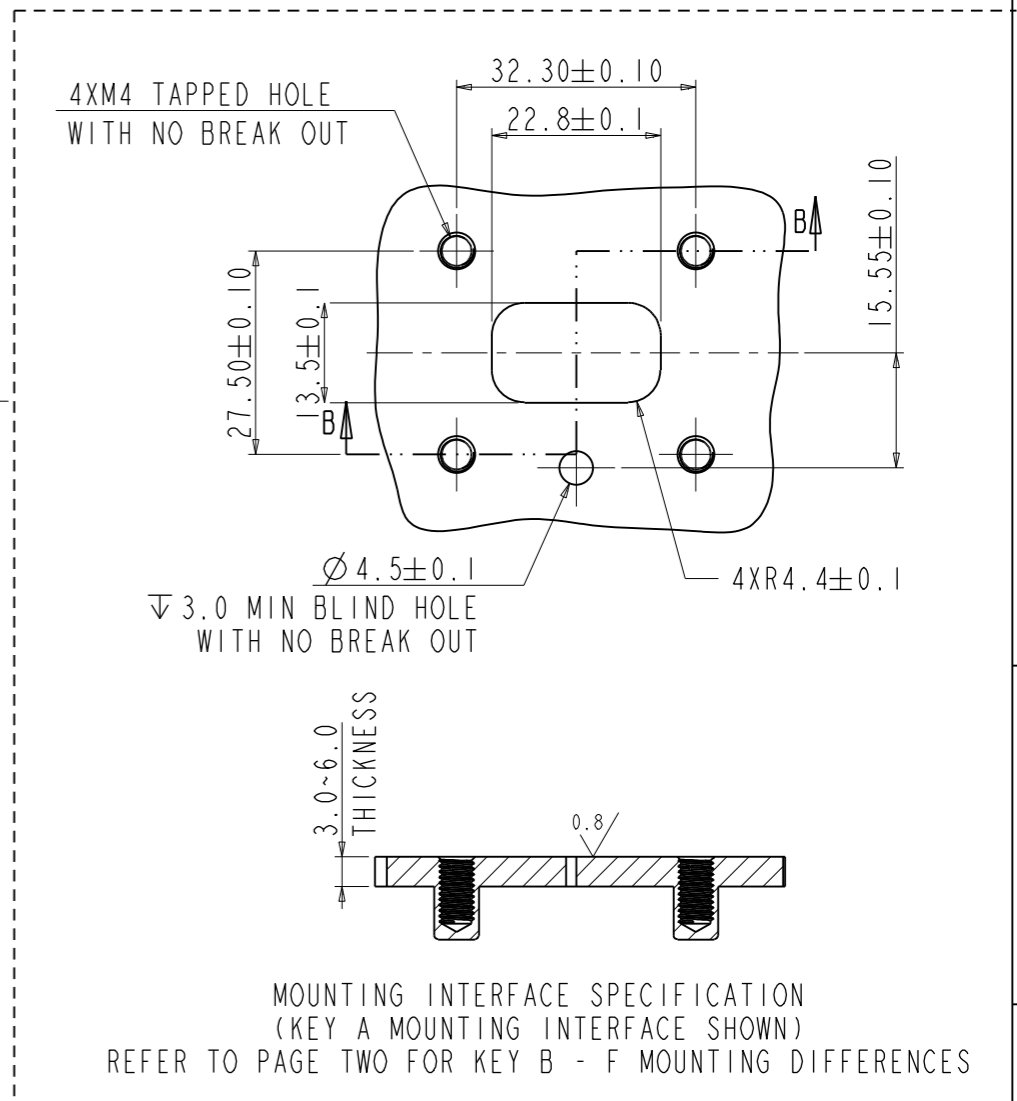
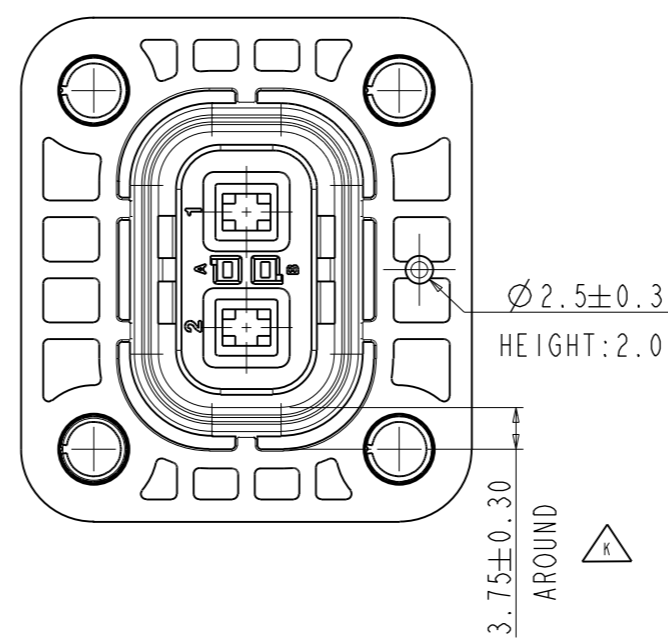
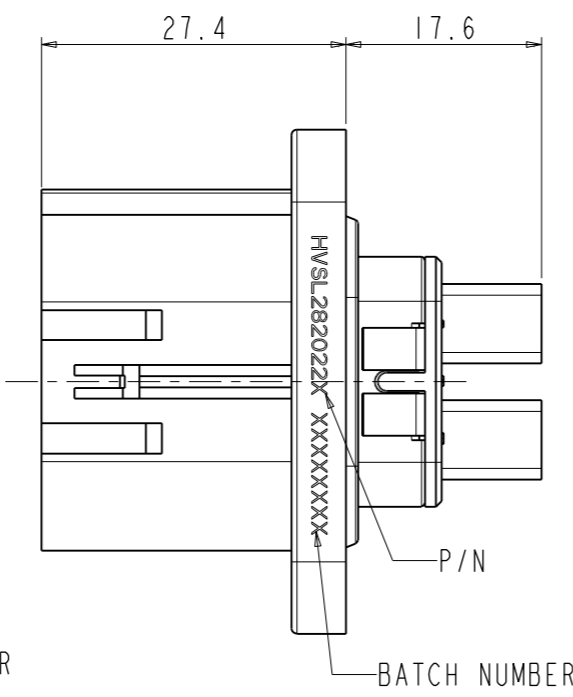
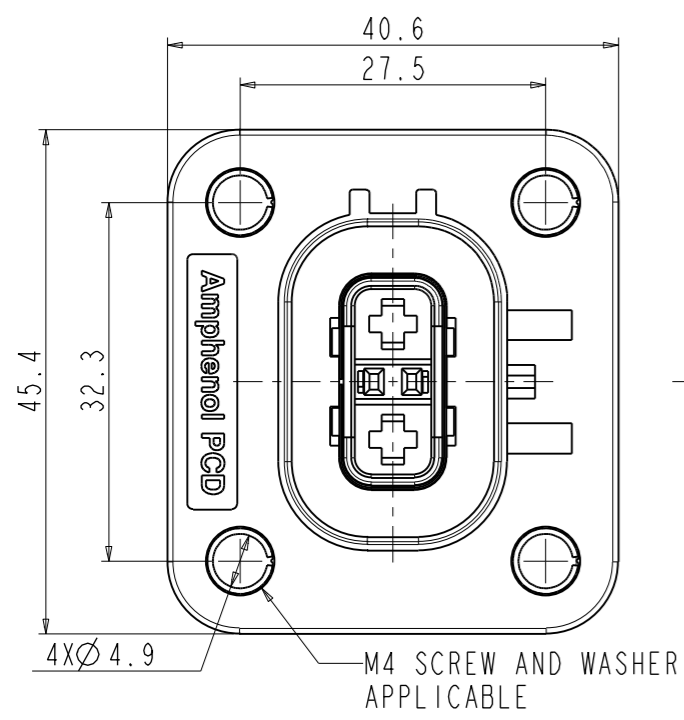


Amphenol PCD SZ
ORIGINAL
PDF Format
R&D

REV	ECN	DESCRIPTION	DATE	MODIFIED
G	C3275N	Correction of drawing errors	2019.4.24	.
H	C3338N	ADD SIGNAL CABLE OD	2019.05.17	.
J	R3571N	ADD TECHNICAL DATA SHEET NO.	2019.05.17	.
K	C4966N	ENLARGE THE SEALING GROOVE	2020.12.21	.



✦: CRITICAL CHARACTERISTICS 关键特性
◎: IMPORTANT CHARACTERISTICS 重要特性

NOTE:
1. RECEPTACLE DON'T INCLUDE CONTACT PIN, NEED TO BUY SEPARATE:
THE MAIN CONTACT: C310003611S, USE LEVEL: 2PCS
THE HVIL CONTACT: C310003614S, USE LEVEL: 2PCS
2. PREVAILING TORQUES: 2N*M

SCOPE OF CABLE OUTSIDE DIAMETER		
SIZE	OUTSIDE DIAMETER	REMARK
0.5MM ²	1.4~1.9MM	SIGNAL CABLE
0.75 MM ²		
2.5 MM ²	2.7~3.7 MM	POWER CABLE
3 MM ²	2.7~3.7 MM	
4 MM ²	3.0~4.0 MM	

RECEPTACLE	P/N	KEY CODE
HVSL282022A		A
HVSL282022B		B
HVSL282022C		C
HVSL282022D		D
HVSL282022E		E
HVSL282022F		F

TECHNICAL DATA		
CURRENT RATE (4MM ² UNSHIELD CABLE)	32A @ AMBIENT 70°C	✦
CURRENT RATE (2.5~3MM ² UNSHIELD CABLE)	23A @ AMBIENT 70°C	✦
RATING VOLTAGE (OVERVOLTAGE CATEGORY II POLLUTION DEGREE 2)	1000V DC	✦
OPERATING TEMPERATURE	-40~125°C	
DIELECTRIC WITHSTAND VOLTAGE	POWER CONTACT 3000V AC(RMS)	✦
	SIGNAL CONTACT 660V AC (RMS)	
INSULATION RESISTANCE	200MΩ MIN. 25°C, NO CABLE	✦
DURABILITY	50 CYCLES	◎
SHIELDING	YES	
WATERPROOF (MATED CONDITION)	IP 67, IP6K9K	✦
PROTECTION LEVEL	IP2XB	✦
AMBIENT TEMPERATURE	-40~70°C	
RoHS	YES	✦

DIMENSIONS	TOLERANCES	PROJECTION	Amphenol PCD Shenzhen	
ANSI Y14.5M	X ±0.5		ENGR	
UNITS: MM	XX ±0.05		20-12-18	
Pro/E FILE	ANGLES ±2°	CHKD	APPD	
ORIGINAL	THIS DOCUMENT CONTAINS PROPRIETARY INFORMATION WHICH IS THE CONFIDENTIAL PROPERTY OF Amphenol PCD Shenzhen Co. Ltd Amphenol PCD Shenzhen Co. Ltd RESERVES THE RIGHT TO CLARIFY THIS DRAWING		SIZE	REV
			A3	K

TITLE			
HVSL282 RECEPTACLE			
SIZE	DWG NO.	REV	
A3	C-HVSL282022X	K	
CODE: 58982	SCALE: 1:1	SHEET 1 OF 2	

C-HVSL282022X

C-HVSL282022X

C-HVSL282022X

2022A (KEY A)

HVSL282022B (KEY B)

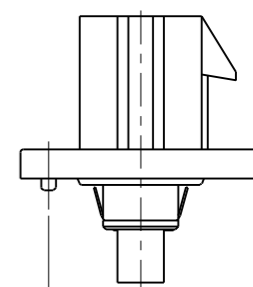
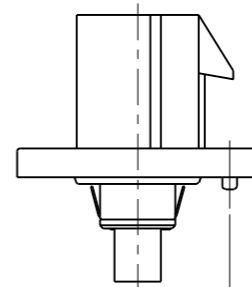
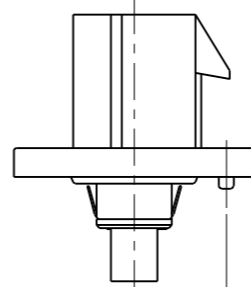
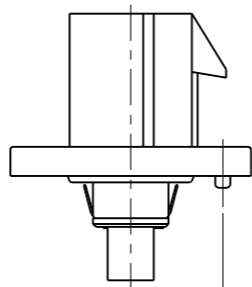
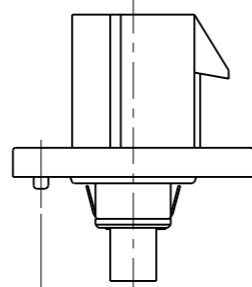
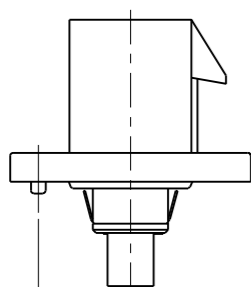
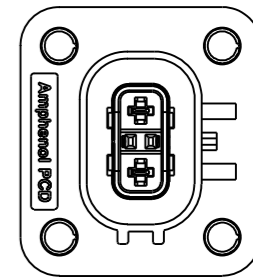
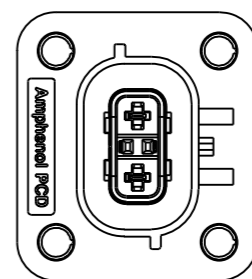
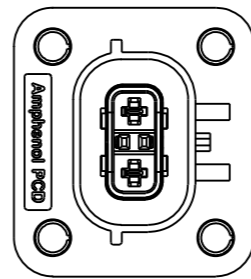
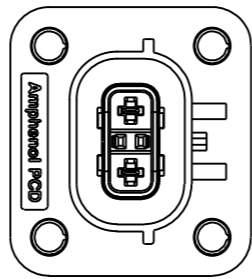
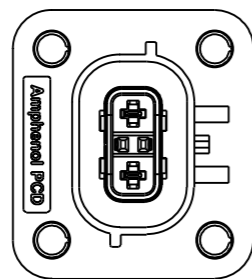
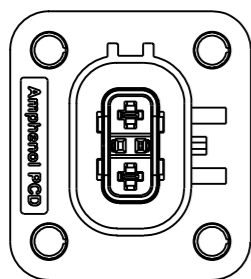
HVSL282022C (KEY C)

HVSL282022D (KEY D)

HVSL282022E (KEY E)

HVSL282022F (KEY F)

KEY A - F MOUNTING DIFFERENCES RECEPTACLE



15.55±0.15

15.55±0.15

15.55±0.15

15.55±0.15

15.55±0.15

15.55±0.15

0.00±0.15

5.50±0.15

8.25±0.15

2.75±0.15

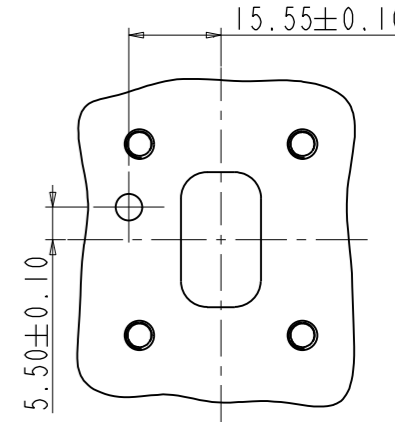
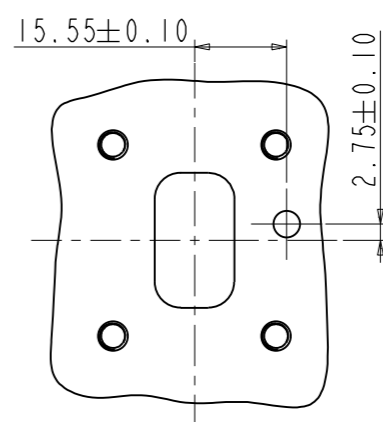
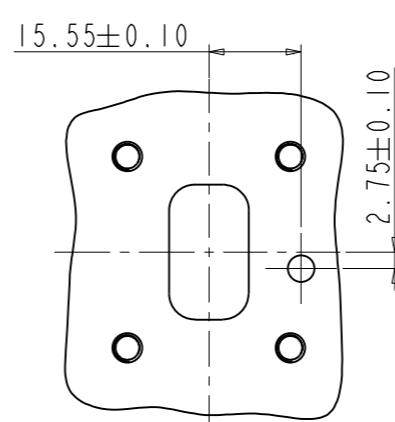
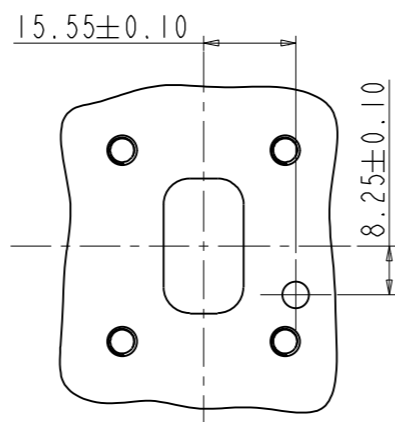
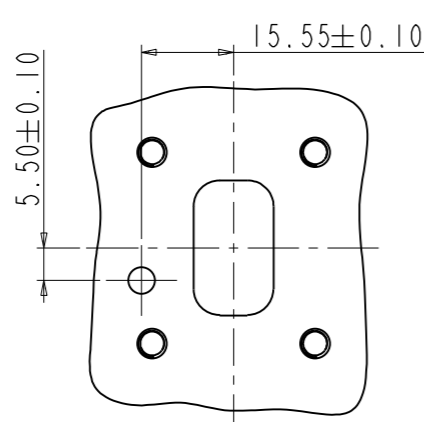
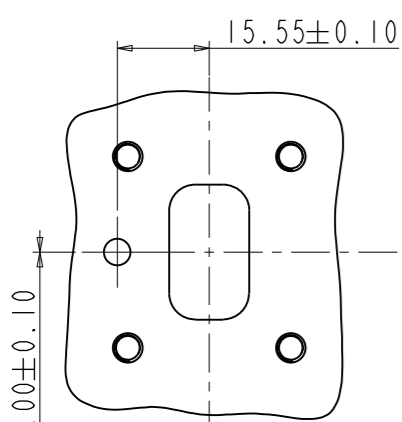
2.75±0.15

5.50±0.15

C-HVSL282022X

C-HVSL282022X

INTERFACE VIEW - MOUNTING SIDE



KEY A MOUNTING INTERFACE

KEY B MOUNTING INTERFACE

KEY C MOUNTING INTERFACE

KEY D MOUNTING INTERFACE

KEY E MOUNTING INTERFACE

KEY F MOUNTING INTERFACE

0.00±0.10

15.55±0.10

5.50±0.10

15.55±0.10

15.55±0.10

8.25±0.10

15.55±0.10

2.75±0.10

15.55±0.10

2.75±0.10

5.50±0.10

SIZE

DWG NO.

REV

A3

C-HVSL282022X

K

CODE: 58982

SCALE: 1:1

SHEET 2 OF 2