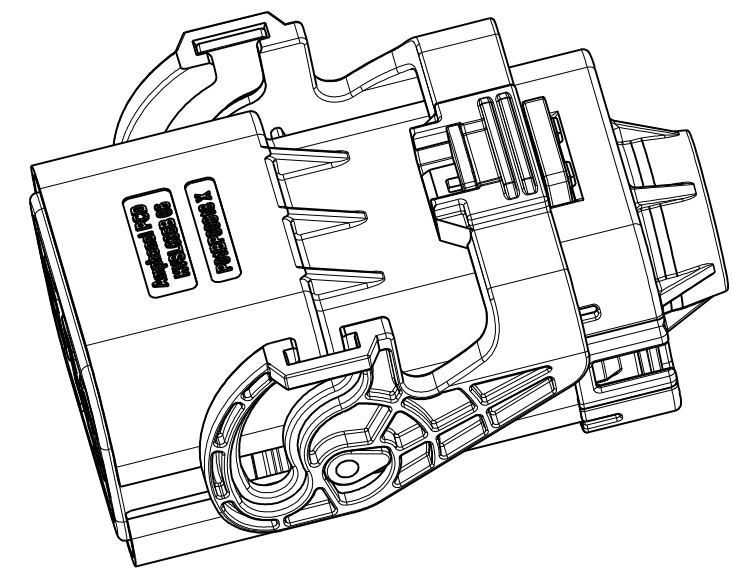
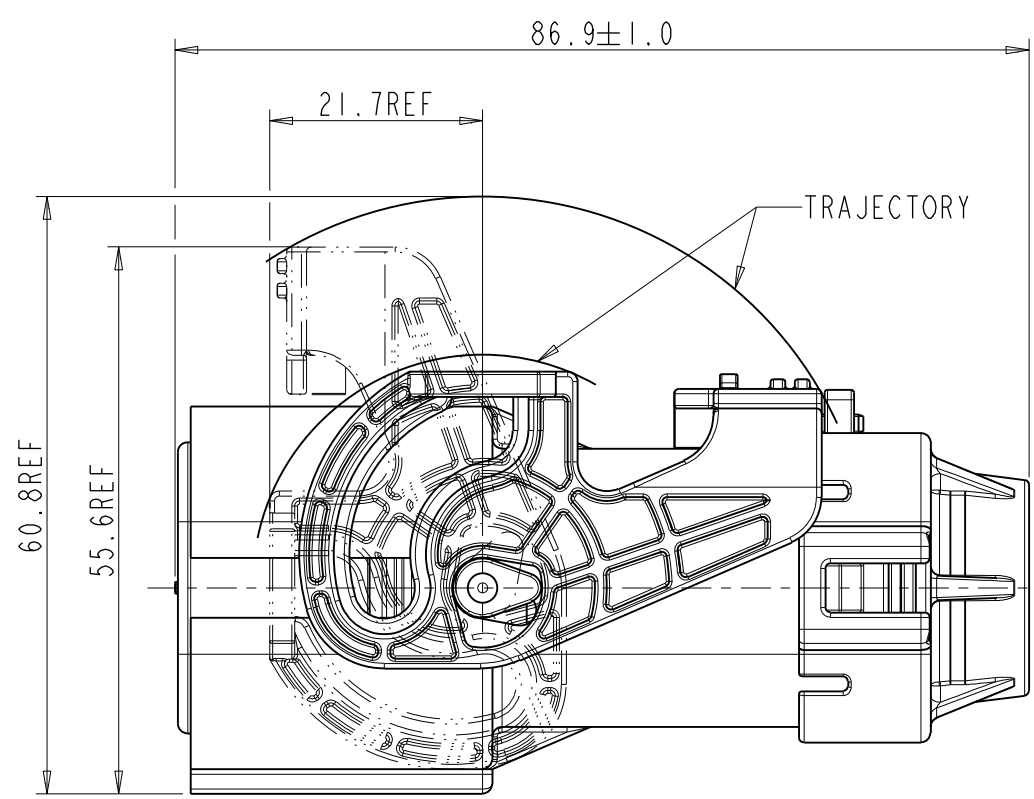
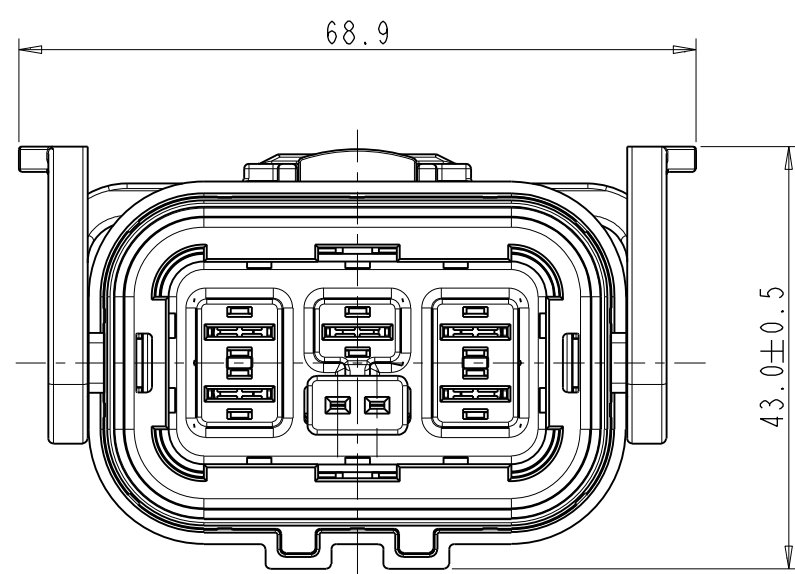


Amphenol PCDSZ
ORIGINAL
PDF Format
R&D

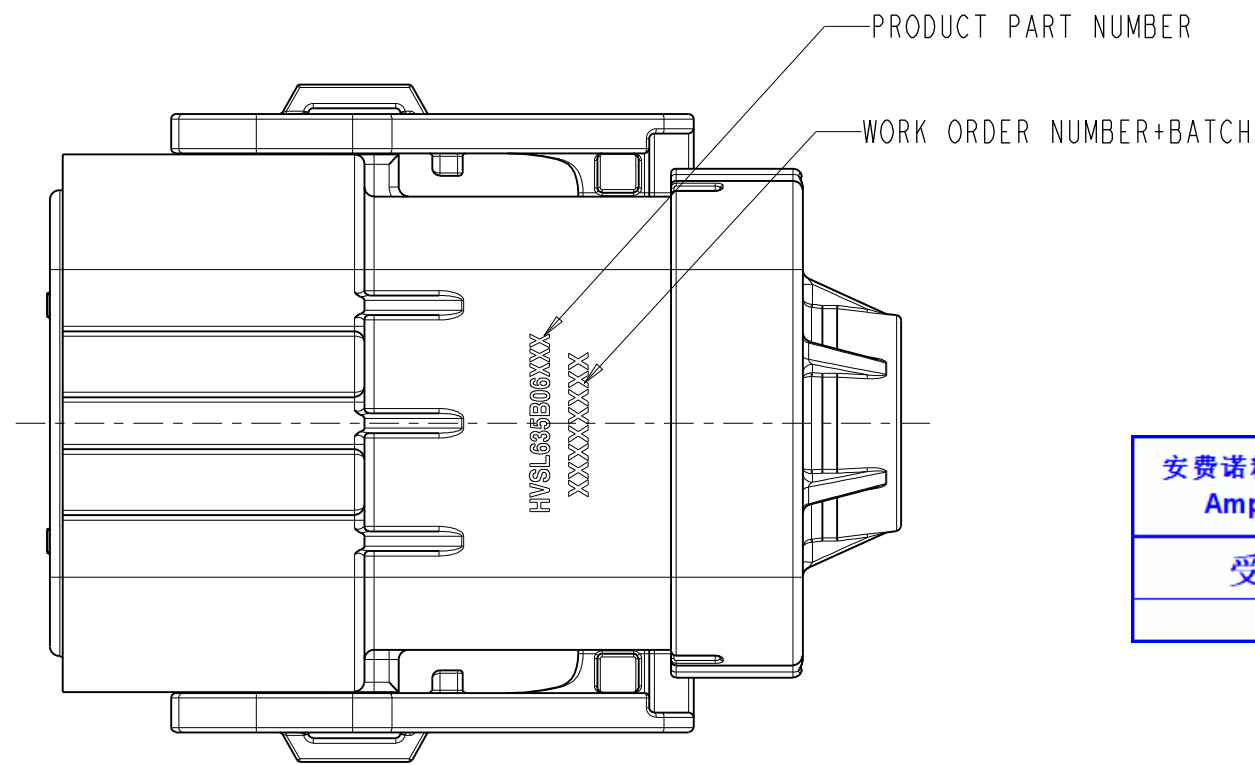
REV	ECN	DESCRIPTION	DATE	MODIFIED
1		PRE- RELEASE	Oct-28-22	
2	R6784N	CHANGE THE OUTER RING P/N	Feb-01-2023	
3	C7072N	CHANGE THE VOLTAGE DATA	May-05-2023	
4	R7808N	ADD CABLE SPECIFICATIONS	Jan-31-2024	



C-HVSL635B06XXX

I. TECHNICAL DATA:

TECHNICAL DATA	REMARK
VOLTAGE (OVERVOLTAGE CATEGORY I /POLLUTION DEGREE 2)	850V DC +
WITHSTAND VOLTAGE	2700V AC(RMS) +
INSULATION RESISTANCE	>200 MΩ MIN @25°C +
RATED CURRENT (6MM^2 SHIELD CABLE)	40A @ AMBIENT 70°C +
WATER PROOF (MATED CONDITION)	IP67&IP6K9K +
IP FOR FINGER TOUCH (UNMATED CONDITION)	IP2XB +
SHIELDING FUNCTION	YES
DURABILITY	50 CYCLES ◎
AMBIENT TEMPERATURE	-40-70°C
OPERATING TEMPERATURE	-40-125°C
RoHS & REACH	YES +

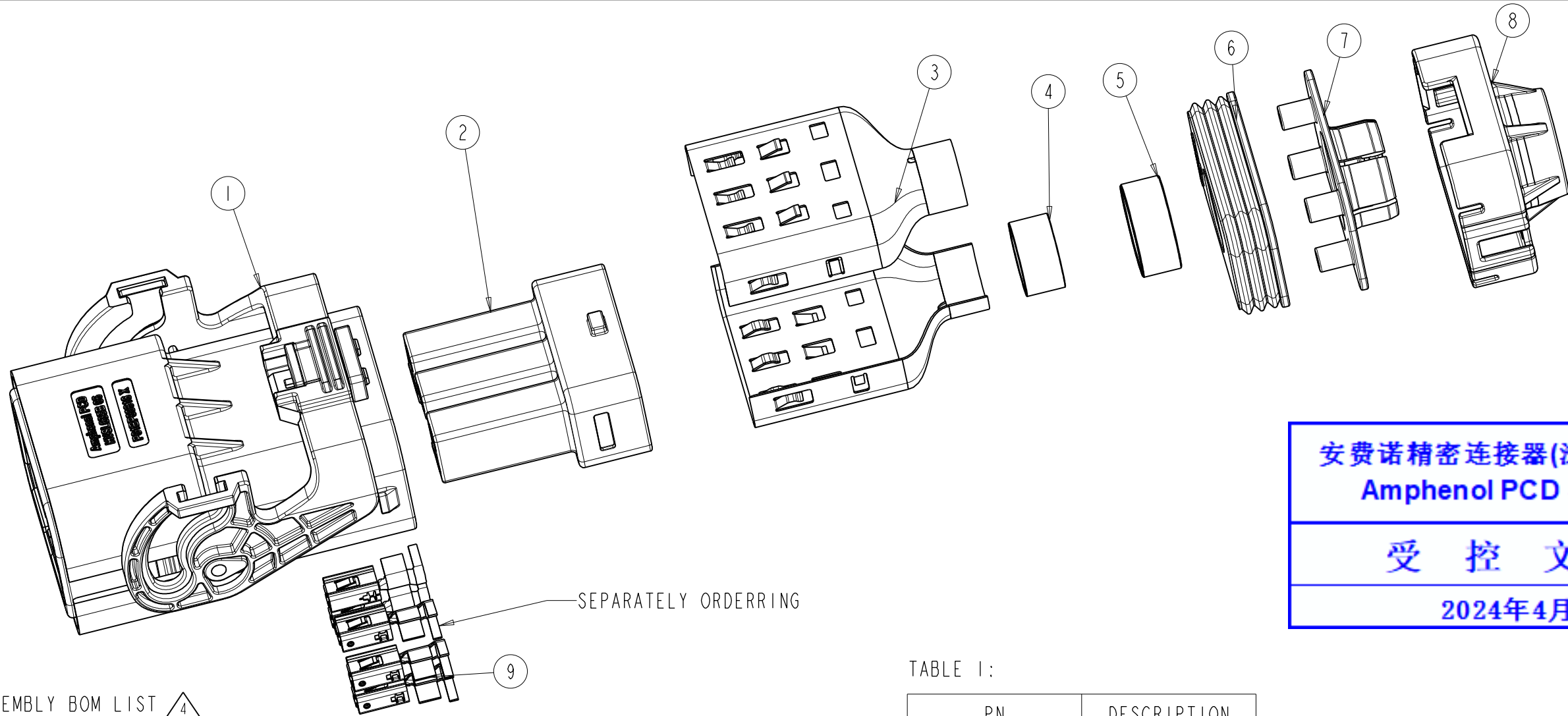


安费诺精密连接器(深圳)有限公司
Amphenol PCD Shenzhen
受控文件
2024年4月2日

C-HVSL635B06XXX

+ IS CRITICAL CHARACTERISTICAL SYMBOL
◎ IS IMPORTANT CHARACTERISTICAL SYMBOL

DIMENSIONS	TOLERANCES	PROJECTION	TITLE
ANSI Y14.5M UNITS: MM Pro/E FILE	.X ±0.5 .XX ±0.05 ANGLES ±2°		HVSL 635B PLUG
ORIGINAL	THIS DOCUMENT CONTAINS PROPRIETARY INFORMATION WHICH IS THE CONFIDENTIAL PROPERTY OF Amphenol PCD Shenzhen Co. Ltd Amphenol PCD Shenzhen Co. Ltd RESERVES THE RIGHT TO CLARIFY THIS DRAWING	ENGR Oct-28-22 CHKD APPD	SIZE A3 DWG NO. C-HVSL635B06XXX REV 4
		SCALE: 1:1	SHEET 1 OF 2



安费诺精密连接器(深圳)有限公司
Amphenol PCD Shenzhen

受 控 文 件

2024年4月2日

2. ASSEMBLY BOM LIST ⁴

ITEM	PART NO.	DESCRIPTION	Q'TY	REMARK
9	C310003623S	POWER TERMINAL	5	SEPARATELY ORDERRING PARTS
8	SEE TABLE 2	END CAP	1	NA
7	SEE TABLE 2	CABLE CLAMP	1	NA
6	SEE TABLE 2	CABLE RING	1	NA
5	P01BM00035	OUTER RING	1	NA
4	SEE TABLE 2	INNER RING	1	NA
3	P01BS00280	SHIELDING	2	NA
2	SEE TABLE 1	HOUSING ASSEMBLY	1	NA
1	P02B000291	RECEPTACLE BODY	1	NA

COMPONENT P/N: HVSL635B06XXX

TABLE 1:

PN	DESCRIPTION
P02B00029201	WITH HVIL
P02B00029202	WITHOUT HVIL

3. P/N INSTRUCTION: ⁴

HVSL635B 06 X XX

TABLE 2:

HVIL CODE	PN	CABLE CODE	CABLE OD	4# PART	6# PART	7# PART	8# PART
1	WITH HVIL	01	16.3+0/-0.6MM	P01BM00388	P01BR00477	P01BP00621	P01BP00626
0	WITHOUT HVIL	02	14.7±0.3MM	P01BM02281	P01BR01094	P01BP01123	P01BP01124

SIZE A3	DWG NO. C-HVSL635B06XXX	REV 4
SCALE: 1:1		SHEET 2 OF 2