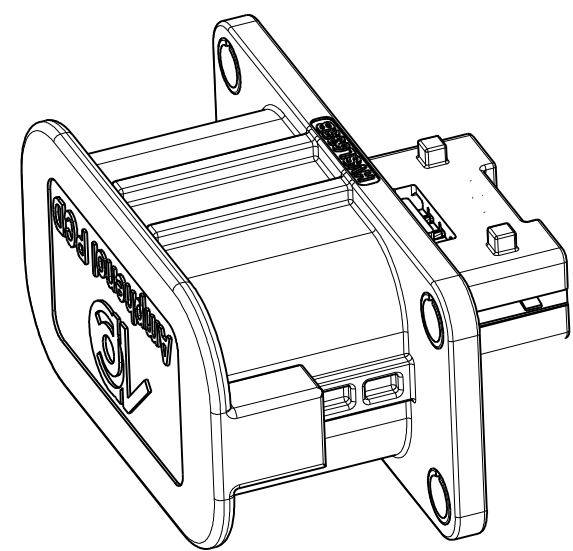
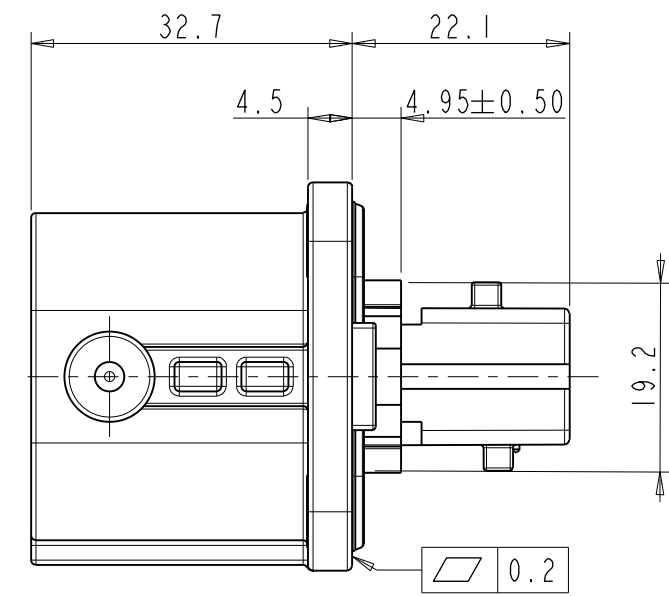
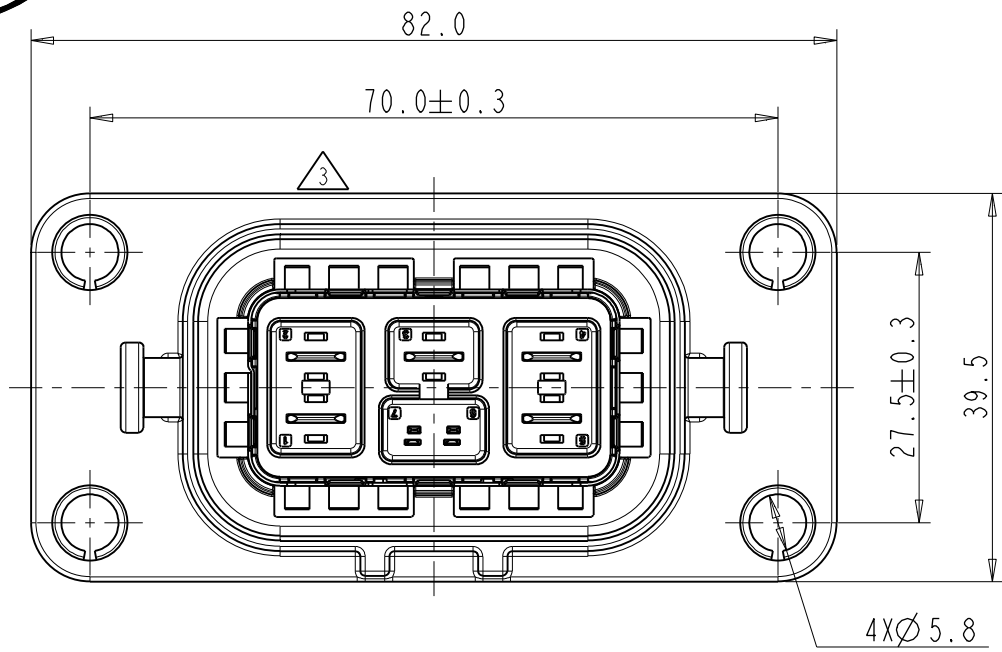


Amphenol PCDSZ
ORIGINAL
PDF Format
R&D

REV	ECN	DESCRIPTION	DATE	MODIFIED
1		PRE- RELEASE	Oct-28-22	
2	C7072N	CHANGE THE VOLTAGE DATA	May-05-2023	
3	C7820N	UPDATE DRAWING ERROR STRUCTURE	Feb-19-2024	



1. NOTES:

1). TIGHT TORQUE WITH MOUNTING PLATE(M5):6.0 N.M ±10%,

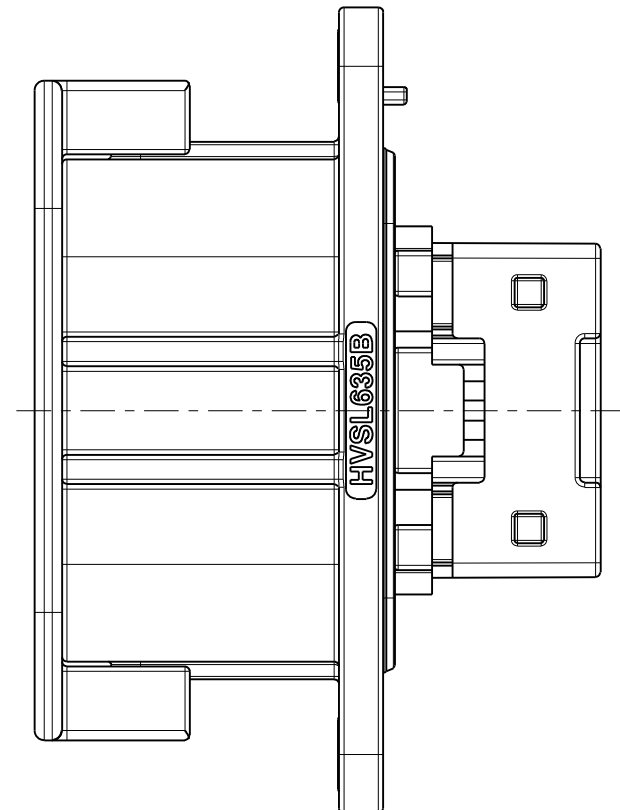
2). WIRE RANGE:

POWER TERMINAL:6mm²,OD OF NO SHIELDED WIRE:≤∅5.3mm

HVIL TERNINAL:0.5~0.75mm²,OD OF WIRE:∅1.4~1.9mm.

2. TECHNICAL DATA:

TECHNICAL DATA		REMARK
VOLTAGE(OVERVOLTAGE CATEGORY 1 /POLLUTION DEGREE 2)	850V DC	+
WITHSTAND VOLTAGE	2700V AC(RMS)	+
INSULATION RESISTANCE	>200 MΩ MIN @25°C	+
RATED CURRENT (6MM ² SHIELD CABLE)	40A @ AMBIENT 70°C	+
WATER PROOF (MATED CONDITION)	IP67&IP6K9K	+
IP FOR FINGER TOUCH (UNMATED CONDITION)	IP2XB	+
SHIELDING FUNCTION	YES	
DURABILITY	50 CYCLES	◎
AMBIENT TEMPERATURE	-40-70°C	
OPERATING TEMPERATURE	-40-125°C	
RoHS & REACH	YES	+



安费诺精密连接器(深圳)有限公司
Amphenol PCD Shenzhen
受控文件
2024年2月26日

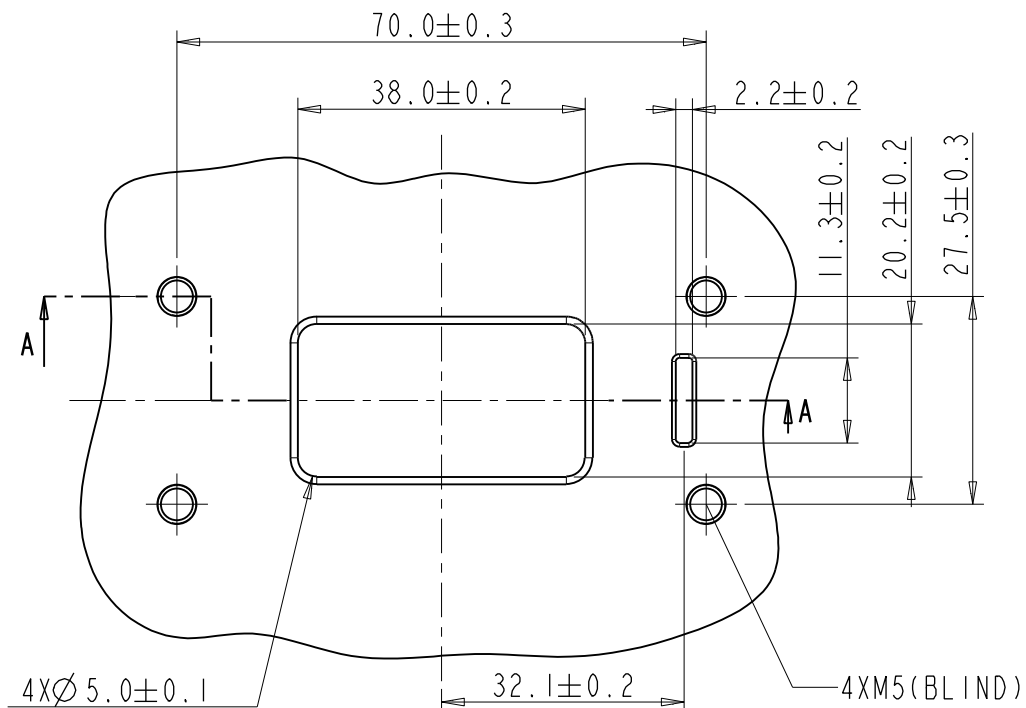
+ IS CRITICAL CHARACTERISTICAL SYMBOL
◎ IS IMPORTANT CHARACTERISTICAL SYMBOL

DIMENSIONS	TOLERANCES	PROJECTION	TITLE		
ANSI Y14.5M UNITS: MM Pro/E FILE	.X ±0.5 .XX ±0.05 ANGLES ±2°		HVSL635B CRIMPING VERSION		
ORIGINAL	THIS DOCUMENT CONTAINS PROPRIETARY INFORMATION WHICH IS THE CONFIDENTIAL PROPERTY OF Amphenol PCD Shenzhen Co. Ltd Amphenol PCD Shenzhen Co. Ltd RESERVES THE RIGHT TO CLARIFY THIS DRAWING	ENGR	SIZE	DWG NO.	REV
		Oct-28-22	A3	C-HVSL635B0201	3
			SCALE: 1:1	SHEET 1 OF 2	

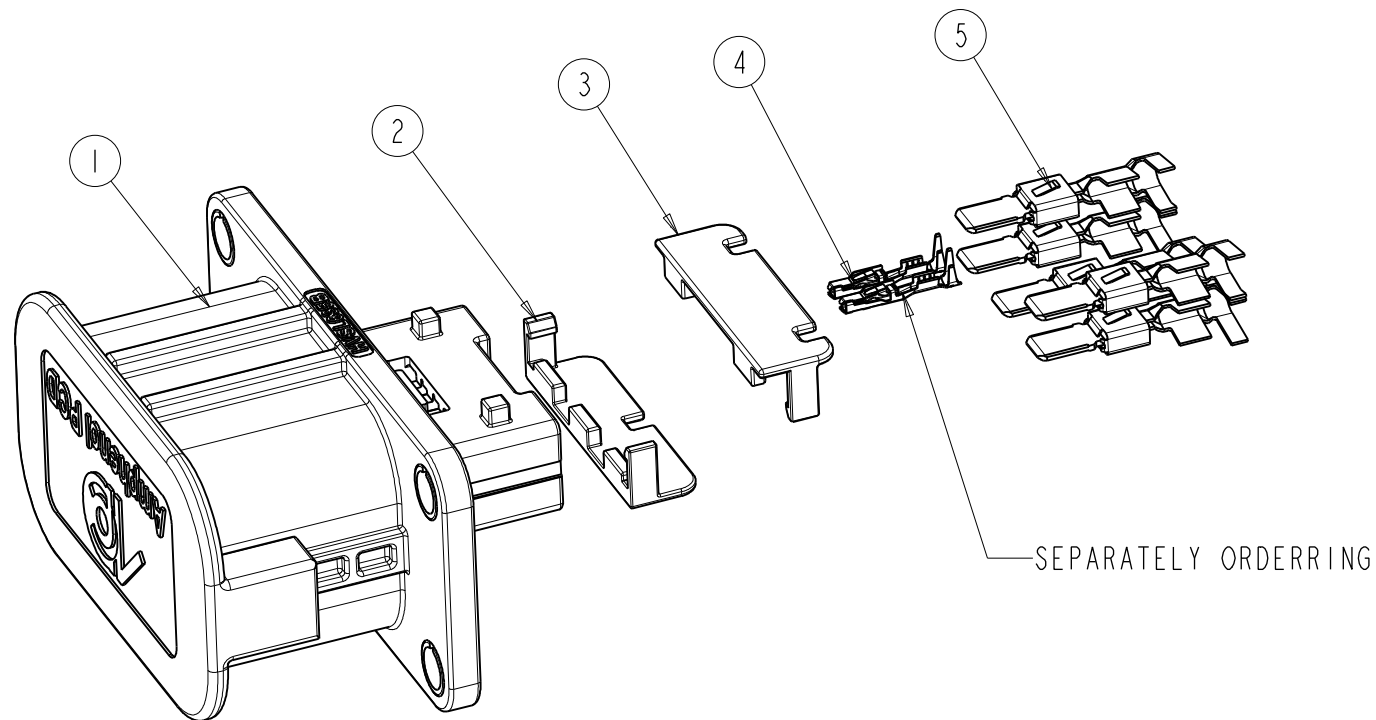
C-HVSL635B0201

C-HVSL635B0201

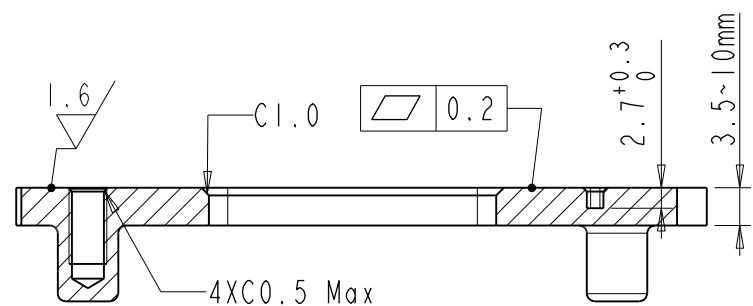
3. PANEL SPECIFICATION



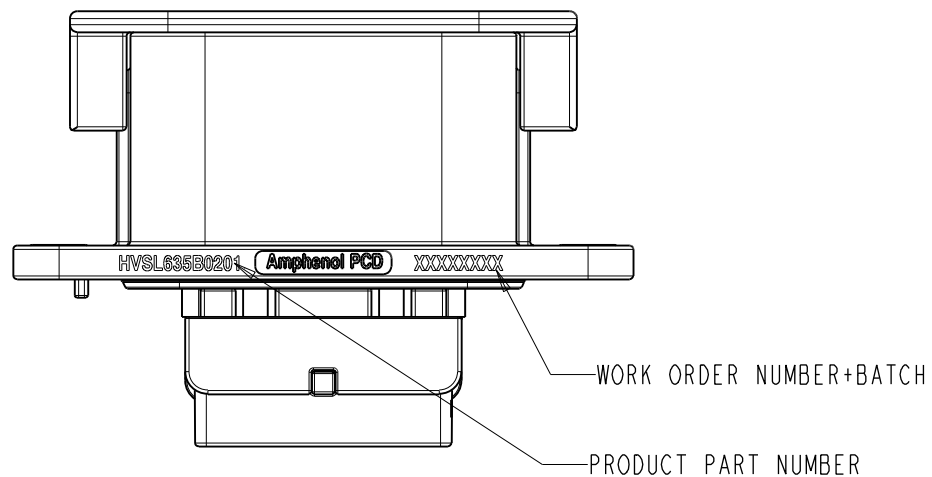
5. ASSEMBLY BOM LIST



5	C310003622S	POWER CONTACT	5	SEPARATELY ORDERING PARTS
4	C310003613S	SIGNAL CONTACT	2	SEPARATELY ORDERING PARTS
3	P01BP00616	TPA-2	1	NA
2	P01BP00617	TPA-1	1	NA
1	P02B000264	RECEPTACLE BODY	1	NA
ITEM	PART NO.	DESCRIPTION	Q'TY	REMARK
COMPONENT P/N: HVSL635B0201				



4. PRINTING REQUIREMENTS:



安费诺精密连接器(深圳)有限公司
Amphenol PCD Shenzhen
受控文件
2024年2月26日

SIZE	DWG NO.	REV
A3	C-HVSL635B0201	3
SCALE: 1:1		SHEET 2 OF 2