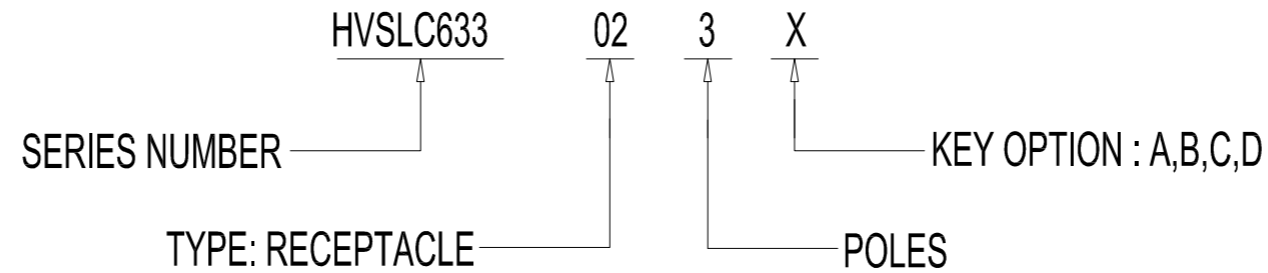




REV	ECN	DESCRIPTION	DATE	MODIFIED
A	C2255	RELEASE		
B	C2438	UPDATE DRAWING	Aug-16-17	
C	C3287N	C310003622 TO C310003622S	Jul-09-19	
D	R4328N	CORRECTION OF KEY LOCATION	Apr-29-20	

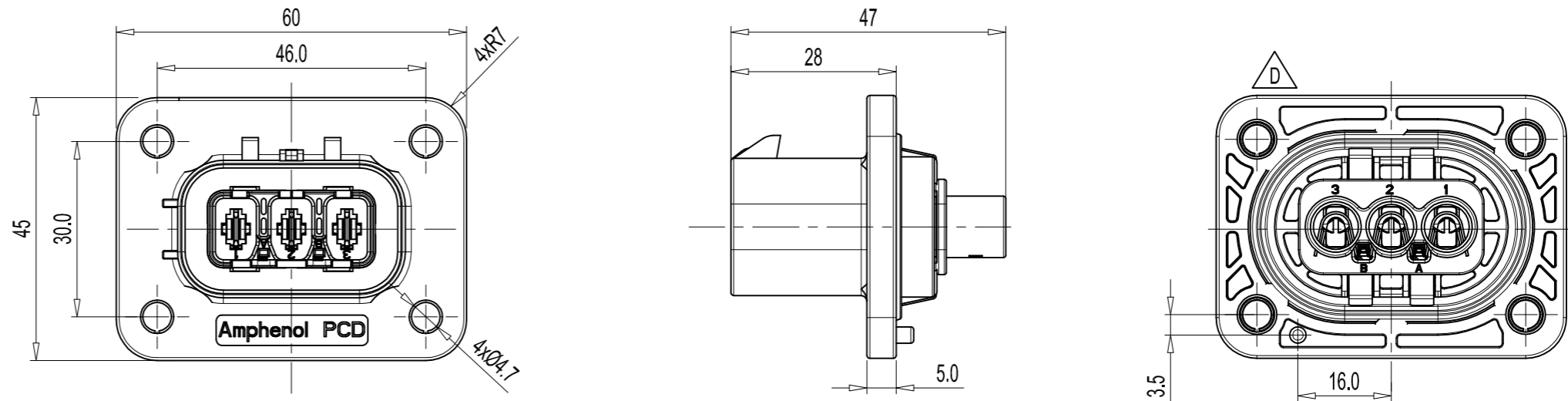
PART NUMBERING SCHEME



Material
 Housing : PA66 UL94-V0 Orange
 Contacts: Copper alloy, Tin plated
 Shield: Copper alloy, Tin plated
 Seal: Silicone

- ✦ IS CRITICAL CHARACTERISTIC SYMBOL
- ◎ IS IMPORTANT CHARACTERISTIC SYMBOL

APPLICATION: POLLUTION DEGREE 2 / 污染等级2
 OVERVOLTAGE CATEGORY II / 过电压类别II
 INHOMOGENEOUS FIELD / 非均匀电场



C-HVSLC633023X

TECHINCAL DATA		SPECIAL CHARACTERISTICS SYMBOL		
VOLTAGE RATING	1000V AC&DC	✦		
WITHSTAND VOLTAGE	3000V AC	✦		
INSULATION RESISTANCE	>100M Ω	✦		
CURRENT RATING	SIGNAL CONTACT 5A(0.5-0.75mm ²) OPTIONAL	✦		
	POWER CONTACT 23A(2.5mm ²) 32A(4mm ²) 40A(6mm ²)			
	WATER PRROF (MATED CONDITION)		IP67	✦
	IP FOR FINGER TOUCH (UNMATED CONDITION)		IP2XB	✦
SHIELDING FUNCTION	YES	NA		
MAX MATING CYCLES	50 TIMES	◎		
OPERATION TEMP.	-40-125°C	NA		
WIRE RANGE	4-6mm ²	NA		

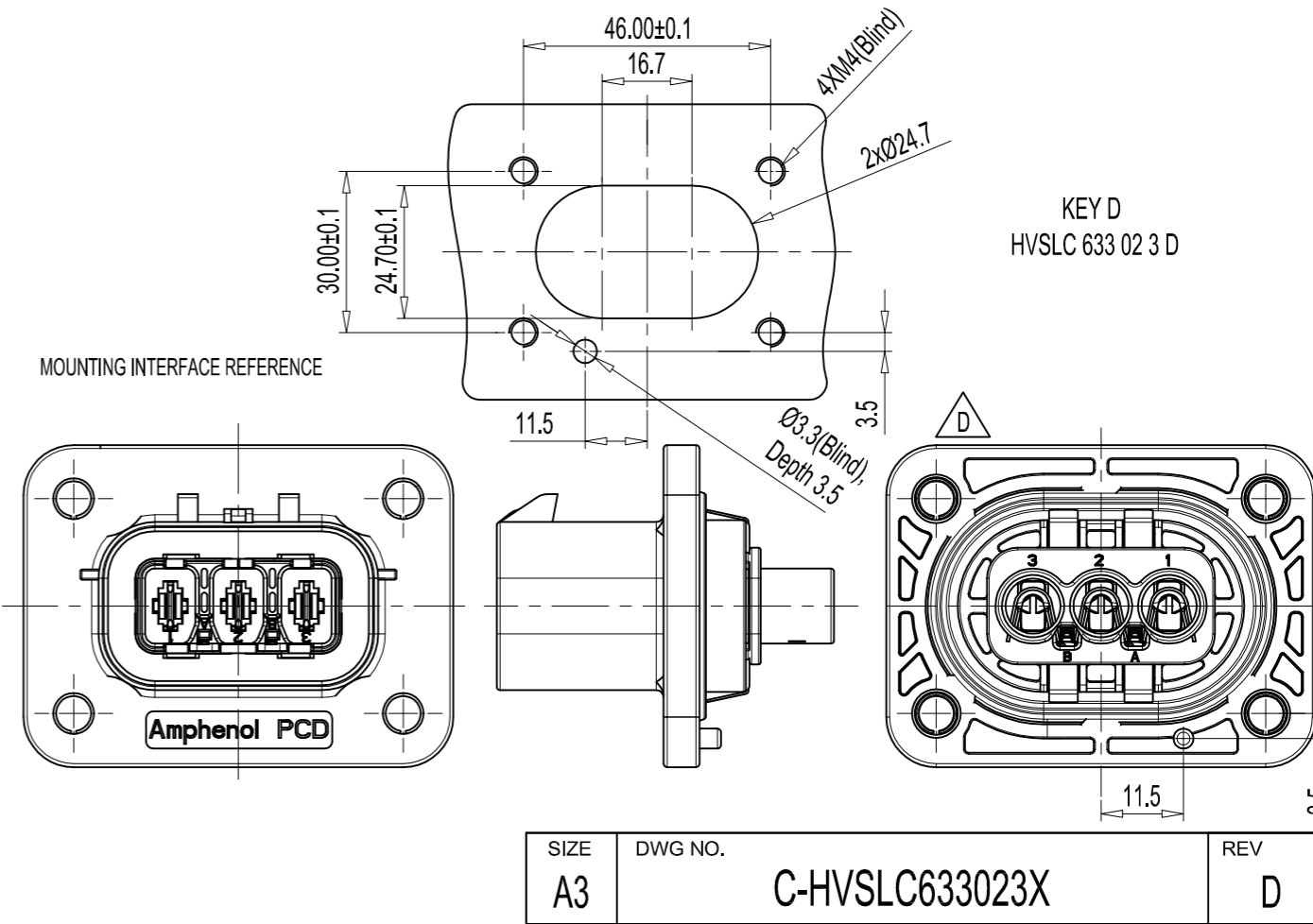
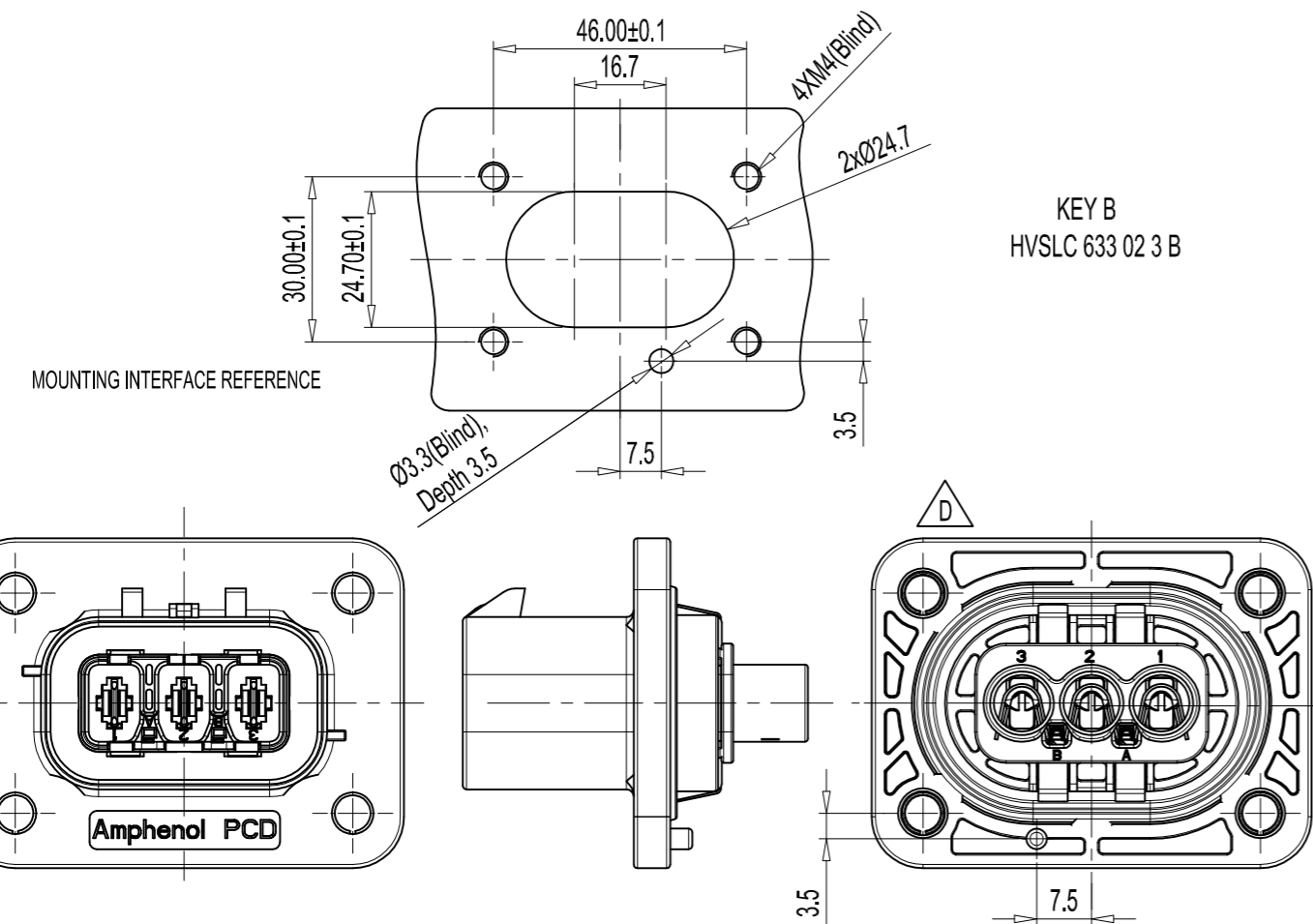
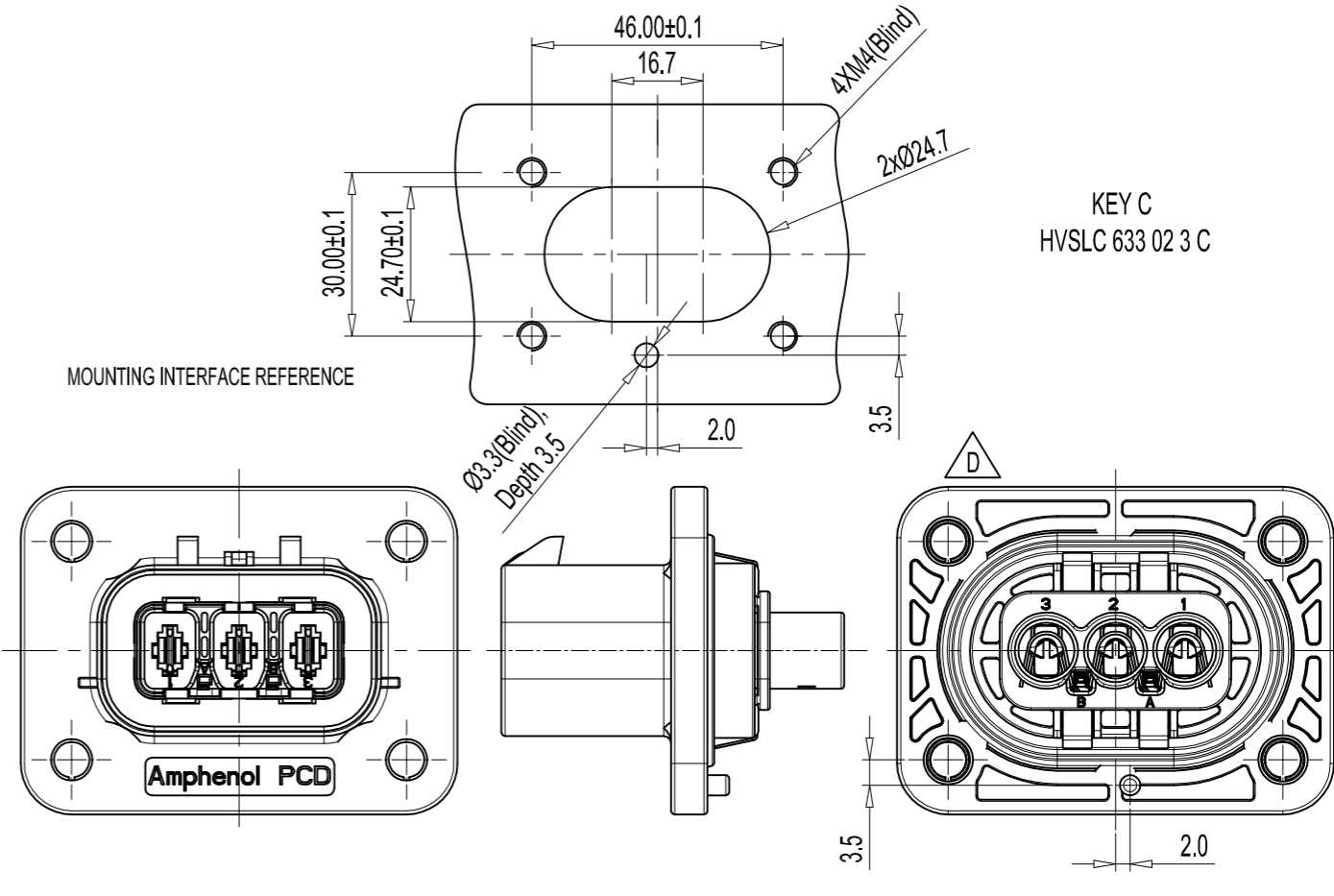
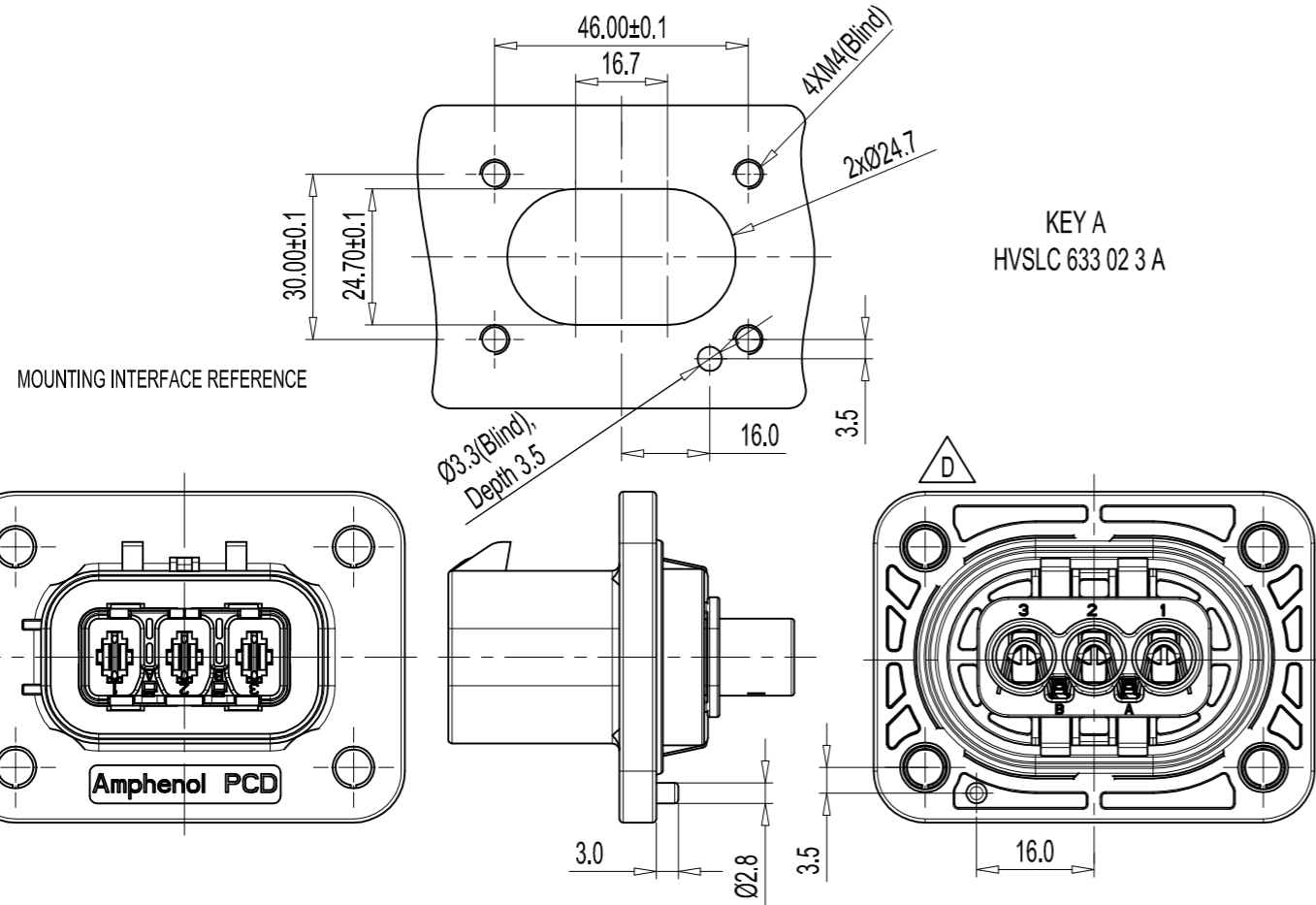
- *NOTES:
- POWER CONTACT AND HVIL CONTACT SHOULD BE ORDERED SEPARATELY. DETAIL SEE ORDERING INFORMATION TABLE
 - HVSLC633023A SHOWN IN THIS SHEET
ORDERING INFORMATION TABLE

ASSEMBLY ITEMS	SEPARATELY ORDERING PARTS / 需单独购买的零件		
HVSLC633023X (X=A,B,C,D)	WIRE SIZE CHOOSE	POWER CONTACT (QTY PER ASSEMBLY)	HVIL CONTACT (QTY PER ASSEMBLY)
	4&6mm ² WIRE	C310003622S (3pcs)	C310003614S (2pcs)
	2.5mm ² WIRE	C310023505 (3pcs)	C310003614S (2pcs)

- TIGHT TORQUE WITH MOUNTING PLATE: 2N*M
- RoHS COMPLIANCE

DIMENSIONS	TOLERANCES	PROJECTION	TITLE		
ANSI Y14.5M UNITS: MM CAD FILE	.X ±0.5 .XX ±0.05 ANGLES ±2°		Amphenol PCD Shenzhen		
ORIGINAL	THIS DOCUMENT CONTAINS PROPRIETARY INFORMATION WHICH IS THE CONFIDENTIAL PROPERTY OF AMPHENOL PCD SHENZHEN	ENGR	HVSLC633		
		2017.03.13	SIZE	DWG NO.	REV
		CHKD	A3	C-HVSLC633023X	D
		APPD	CODE: 58982	SCALE 1:1	SHEET 1 OF 2

C-HVSLC633023X



C-HVSLC633023X

C-HVSLC633023X

SIZE A3	DWG. NO. C-HVSLC633023X	REV D
CODE: 58982	SCALE 1:1	SHEET 2 OF 2