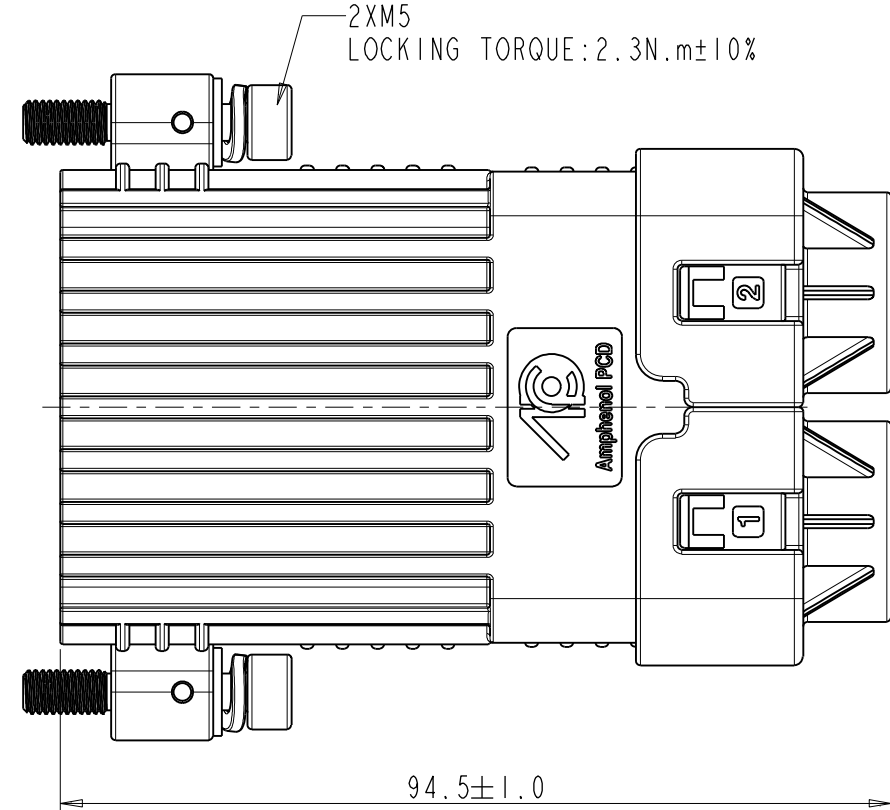
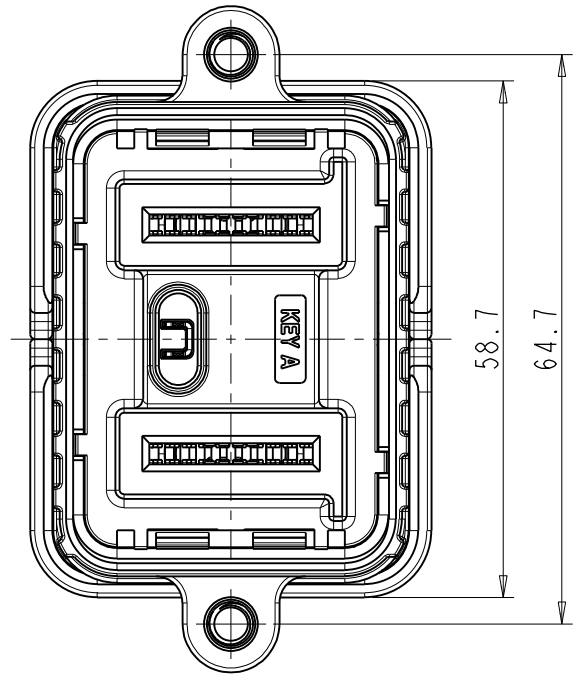


REV	ECN	DESCRIPTION	DATE	MODIFIED
1		PRE- RELEASE	Mar-04-23	
2	C7007N	CHANGE END COVER	Sep-23-24	

Amphenol PCD
ORIGINAL
PDF Format
R&D

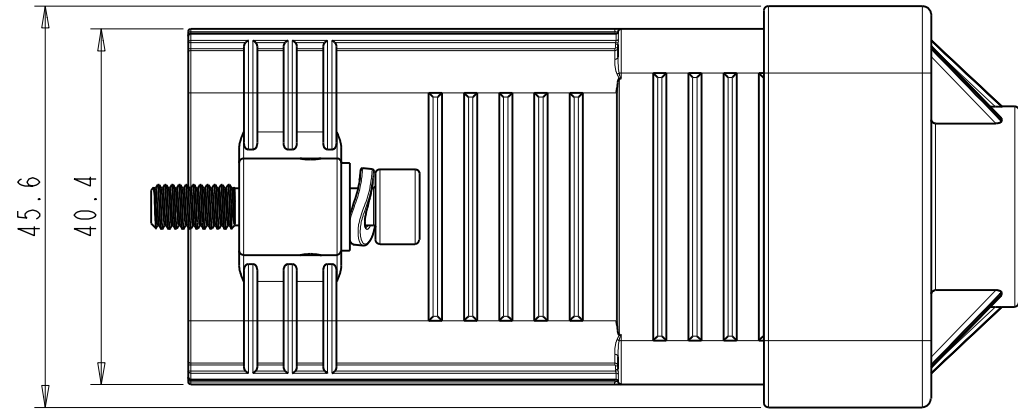


APPLICATION:
POLLUTION DEGREE 2 / 污染等级 2
OVERVOLTAGE CATEGORY II / 过电压类别 II
INHOMOGENEOUS FIELD / 非均匀电场
ALTITUDE NO MORE THAN 4000M / 海拔不高于4000M

✦ IS CRITICAL CHARACTERISTIC SYMBOL
◎ IS IMPORTANT CHARACTERISTIC SYMBOL

C-HVPC18062XXXX

C-HVPC18062XXXX

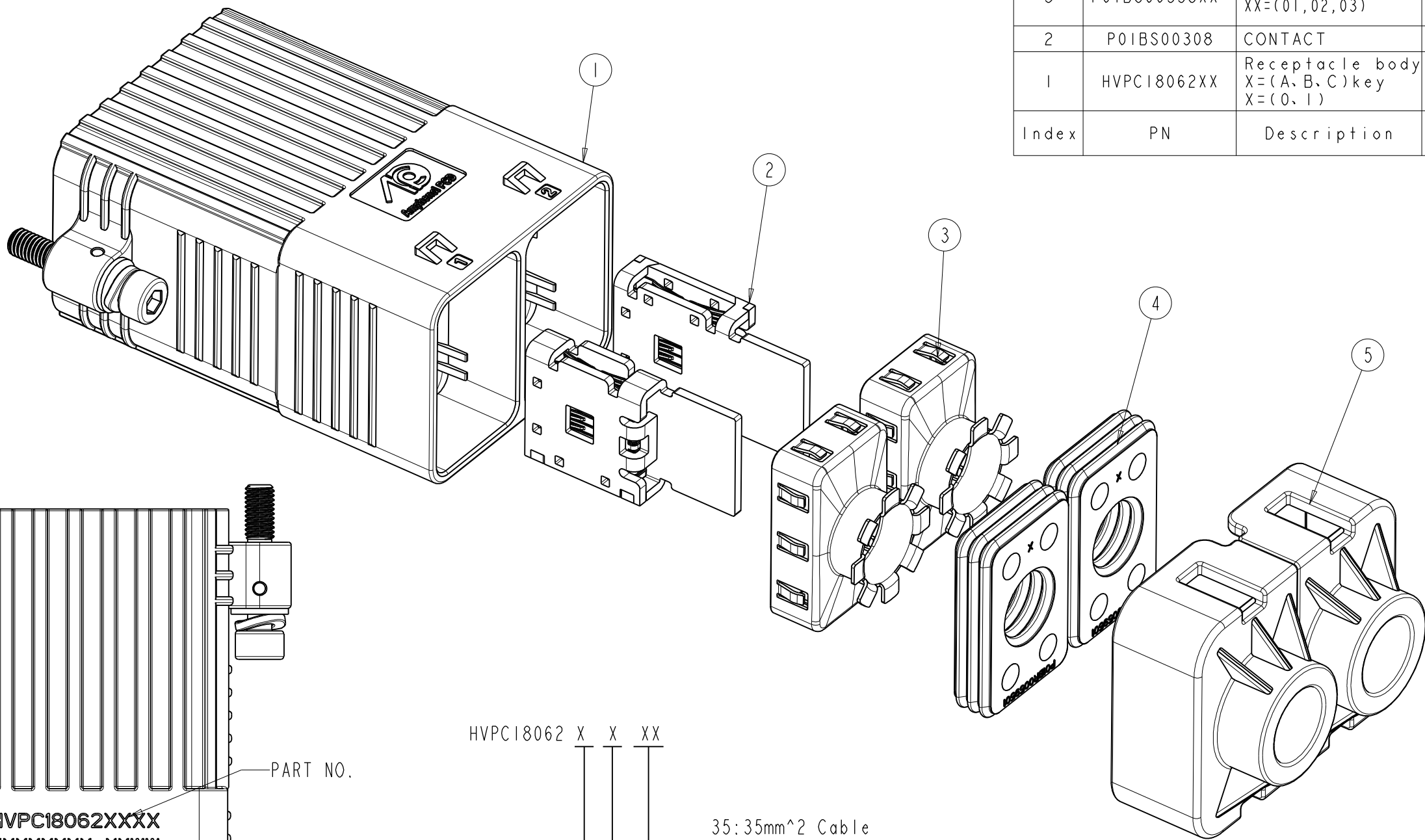


TECHNICAL DATA		
CURRENT RATE 70MM ² WIRE	250A	✦
CURRENT RATE 50MM ² WIRE	200A	✦
CURRENT RATE 35MM ² WIRE	150A	✦
VOLTAGE RATE	1000V DC	✦
OPERRATING TEMPERATURE	-40-125°C	NA
DIELECTRIC WITHSTANDING VOLTAGE	Power: 3000V AC	✦
	Signal: 660V AC	
INSULATION RESISTANCE	>100MΩ	✦
DURABILITY	50 CYCLES	◎
SHIELDING	YES	NA
WATERPROOF (MATED CONDITION)	IP67 IP6K9K	✦
	UNMATED CONDITION	IP2XB
CORROSION-PROFF GRADE(SALT FOG TEST)	336 HOURS	NA
AMBIENT TEMPERATURE	-40-70°C	NA
70mm ² CABLE SIZE(JACKET DIAMETER)	∅ 17.8±0.4	NA
50mm ² CABLE SIZE(JACKET DIAMETER)	∅ 15.5±0.3	NA
35mm ² CABLE SIZE(JACKET DIAMETER)	∅ 14.1±0.3	NA

DIMENSIONS	TOLERANCES	PROJECTION	TITLE		
ANSI Y14.5M UNITS: MM Pro/E FILE	.X ±0.5 .XX ±0.05 ANGLES ±2°		HVPC18 PLUG		
ORIGINAL	THIS DOCUMENT CONTAINS PROPRIETARY INFORMATION WHICH IS THE CONFIDENTIAL PROPERTY OF Amphenol PCD Shenzhen Co. Ltd Amphenol PCD Shenzhen Co. Ltd RESERVES THE RIGHT TO CLARIFY THIS DRAWING	ENGR	Mar-04-23		
		CHKD	SIZE A3	DWG NO. C-HVPC18062XXXX	REV 2
		APPD	SCALE: 6:5	SHEET 1 OF 3	

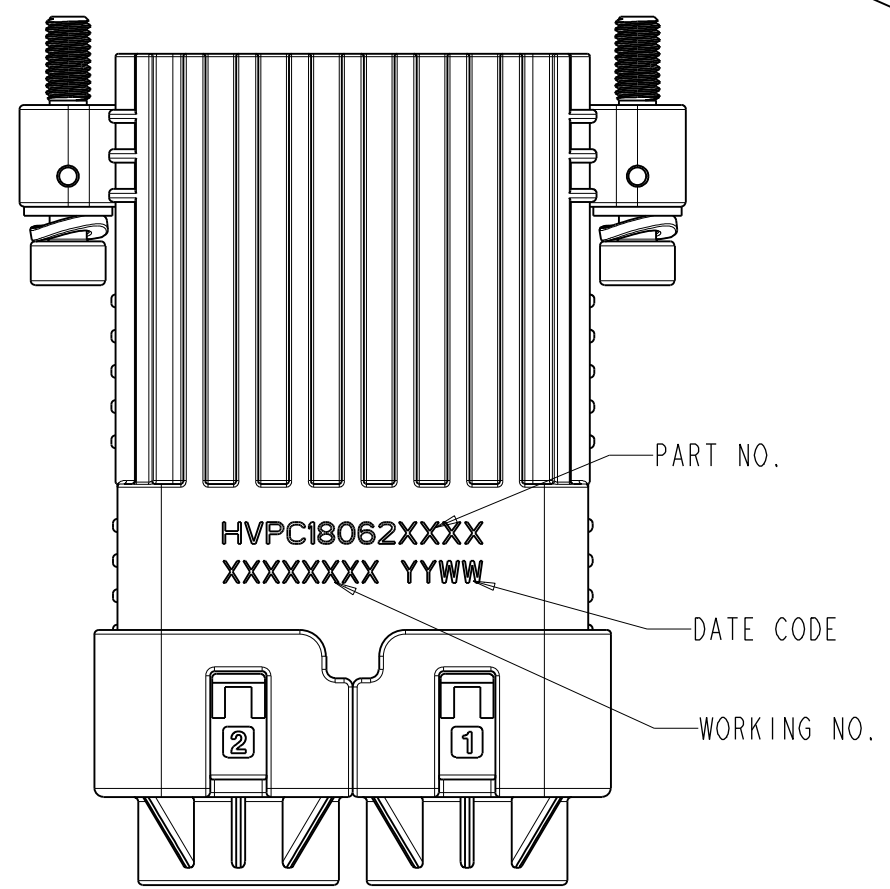
C-HVPC18062XXXX

5	P01BP00682XX	End Cap XX=(01,02,03)	2	01:35mm ² Cable 02:50mm ² Cable 03:70mm ² Cable
4	P01BR00595XX	Cable Seal XX=(01,02,03)	2	01:35mm ² Cable 02:50mm ² Cable 03:70mm ² Cable
3	P01BS00338XX	Cable Shield XX=(01,02,03)	2	01:35mm ² Cable 02:50mm ² Cable 03:70mm ² Cable
2	P01BS00308	CONTACT	2	
1	HVPC18062XX	Receptacle body X=(A,B,C)key X=(0,1)	1	0:Without signal 1:With signal
Index	PN	Description	QTY	Note



C-HVPC18062XXXX

C-HVPC18062XXXX



HVPC18062 X X XX

35:35mm² Cable
50:50mm² Cable
70:70mm² Cable

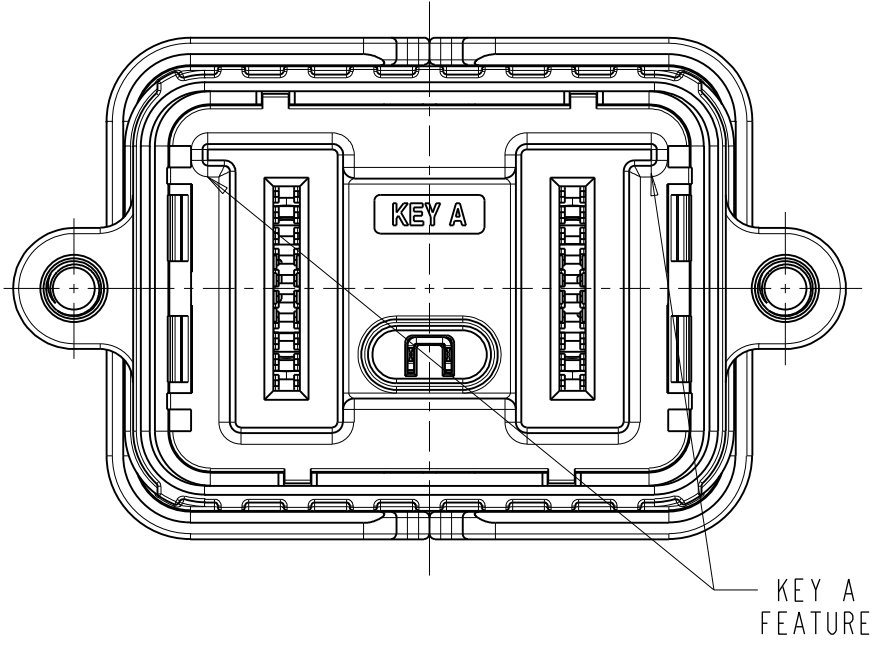
0:Without signal
1:With signal

A: A key
B: B key
C: C key

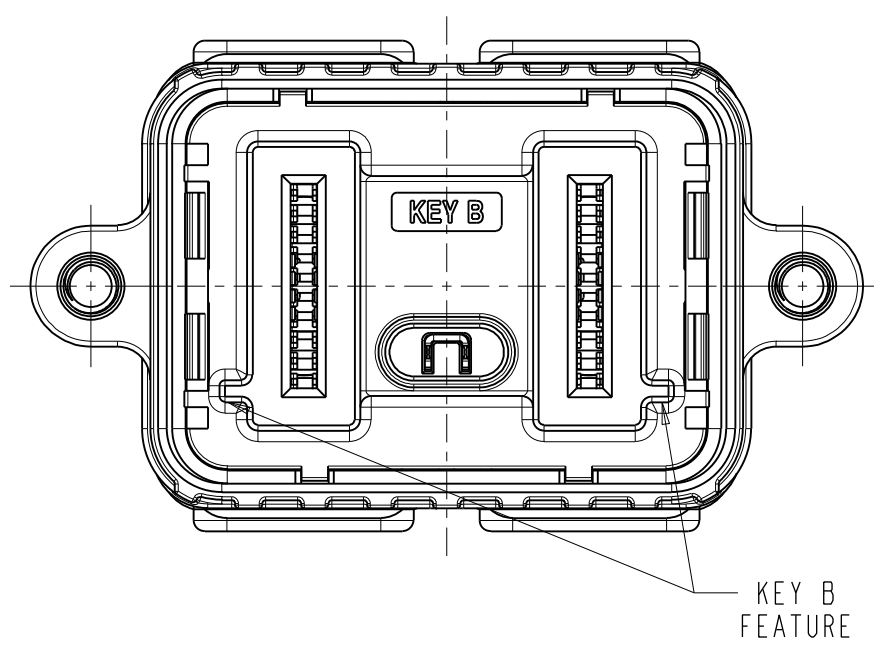
SIZE A3	DWG NO. C-HVPC18062XXXX	REV 2
SCALE: 6:5		SHEET 2 OF 3

C-HVPC18062XXXX

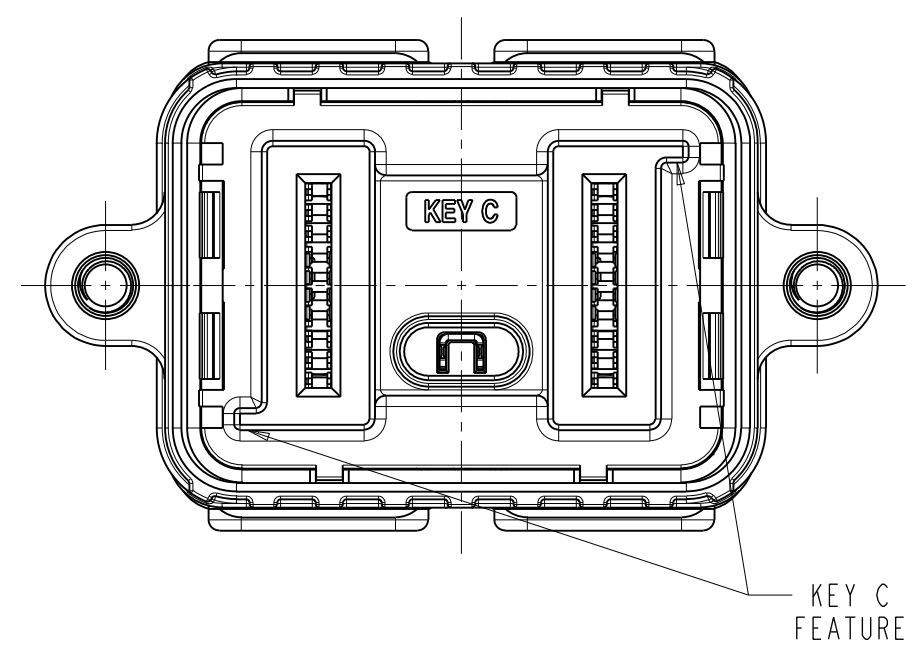
C-HVPC18062XXXX



HVPC18062AXXX



HVPC18062BXXX



HVPC18062CXXX

SIZE	DWG NO.	REV
A3	C-HVPC18062XXXX	2
SCALE: 6:5		SHEET 3 OF 3