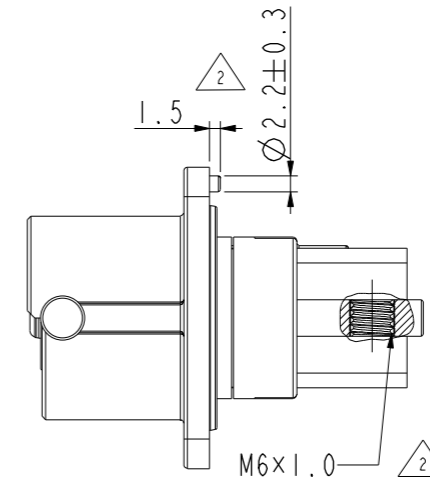
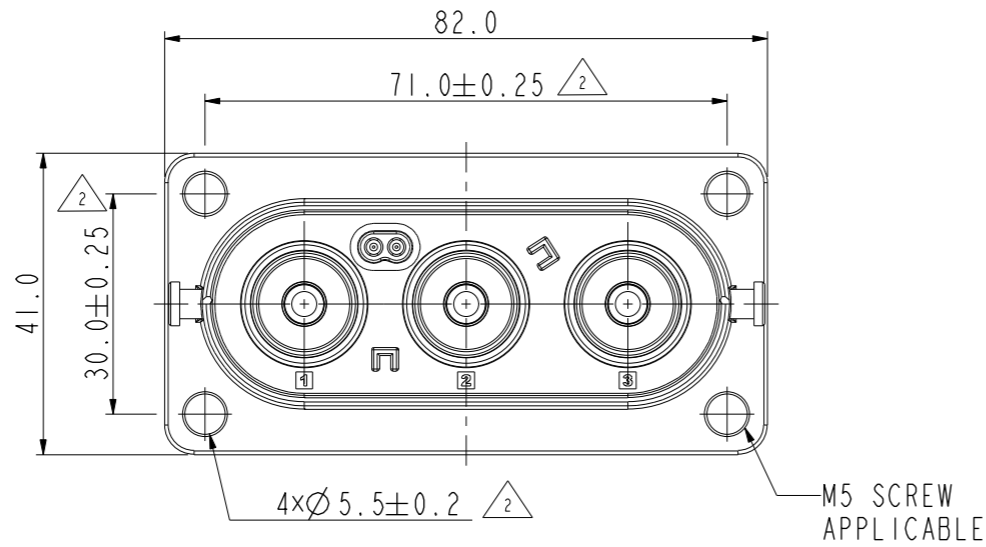


Amphenol PCDSZ
ORIGINAL
PDF Format
R&D

| REV | ECN | DESCRIPTION | DATE | MODIFIED |
|-----|--------|----------------------------------|------------|----------|
| 1 | | FIRST RELEASE | 2019.09.06 | |
| 2 | R4010W | ADJUST THE DATA/ADD DUST CAP NO. | 2019.12.24 | |



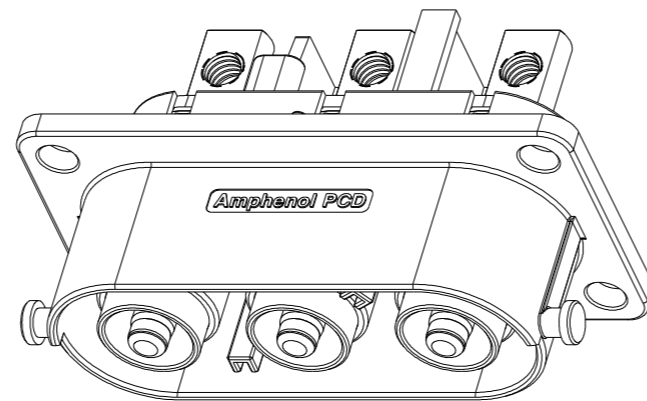
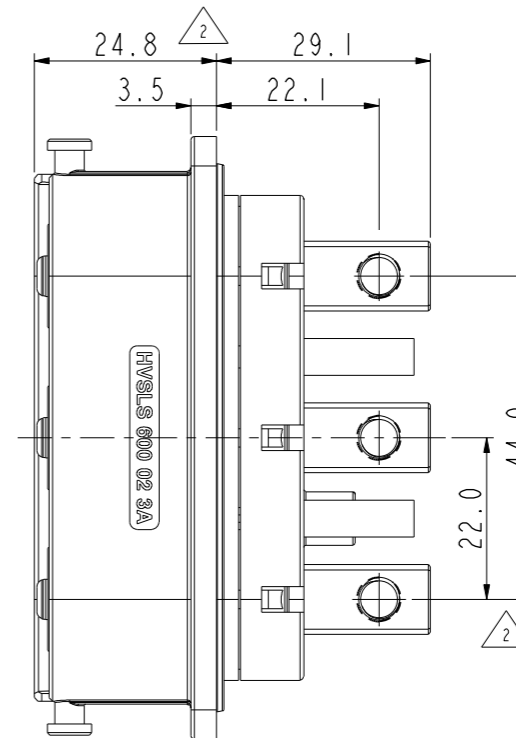
NOTES:

- 1.FLANGE RECOMMENDED LOCKING TORQUE IS 5.9 N.m
- 2.THE RECOMMENDED TORQUE FOR FASTENING THE M6COPPER BAR TERMINALS IS 5.3 N.m (REFERENCE STANDARD:NF F61-017)
- 3.DUST CAP NO.:P03BR00058. PLEASE BUY SEPARATELY IF REQUIRED

HOW TO ORDER

HVSL S 600 02 3X X XX

A: CODING A
B: CODING B
0: WITHOUT HVIL
1: WITH HVIL
H6: STANDARD HOLE M6



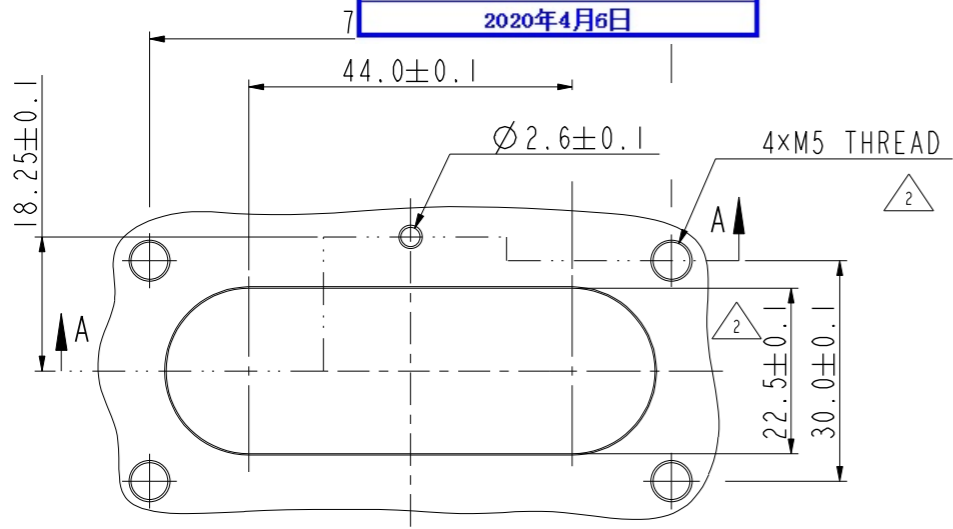
| TECHNICAL DATA | | |
|-------------------------------------------------------------------|---------------------|---|
| CURRENT RATE(25MM ² CABLE) | 120A @ AMBIENT 70°C | + |
| RATING VOLTAGE (OVERVOLTAGE CATEGORY II POLLUTION DEGREE 2) | 1000V DC | + |
| DIELECTRIC WITHSTANDING VOLTAGE | 3000V AC(RMS) | + |
| INSULATION RESISTANCE | 100MΩ MIN.@25°C | + |
| DURABILITY | 50 CYCLES | ○ |
| SHIELDING | YES | |
| WATERPROOF (MATED CONDITION) | IP67、IP6K9K | + |
| PROTECTION LEVEL(UNMATED) | IP2XB | + |
| OPERATING TEMPERATURE | -40~125°C | |
| AMBIENT TEMPERATURE | -40~70°C | |
| RoHS | YES | + |

+:CRITICAL CHARACTERISTICS/关键特性
○:IMPORTANT CHARACTERISTICS/重要特性

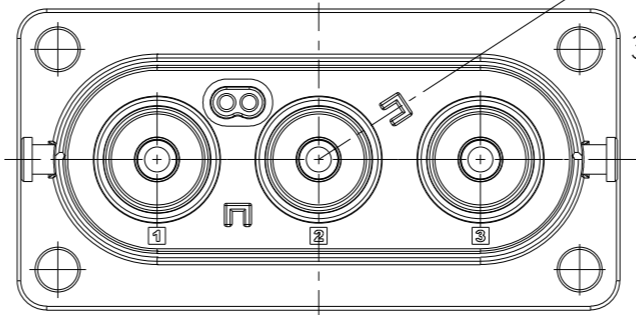
| DIMENSIONS | TOLERANCES | PROJECTION | TITLE | | |
|----------------------------------------|---------------------------------------------------------------------------------------------------------------------|------------|-----------------------|-------------------------------|--------------|
| ANSI Y14.5M UNITS: MM Pro/E FILE | .X ±0.5 .XX ±0.05 ANGLES ±0.5° | | Amphenol Pcd Shenzhen | | |
| | | | ENGR | 2019.09.06 | |
| | | | CHKD | | |
| | | | APPD | | |
| ORIGINAL | THIS DOCUMENT CONTAINS PROPRIETARY INFORMATION WHICH IS THE CONFIDENTIAL PROPERTY OF AMPHENOL PCD SHENZHEN | | SIZE A3 | DWG NO. C-HVSL S600023XXH6 | REV 2 |
| | | | CODE: 58982 | SCALE: 3:2 | SHEET 1 OF 2 |

C-HVSL S600023XXH6

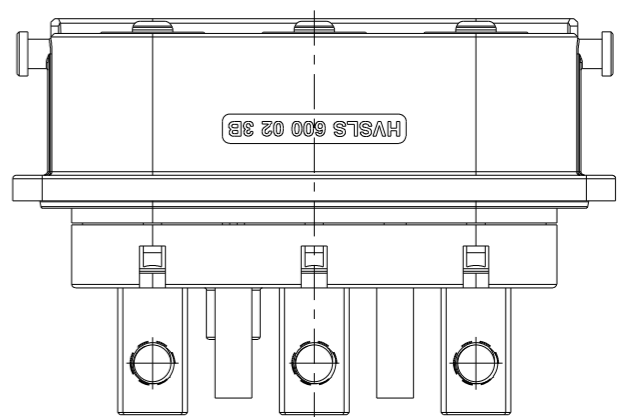
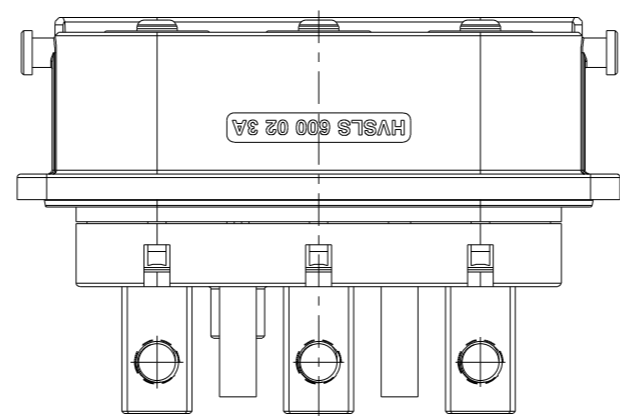
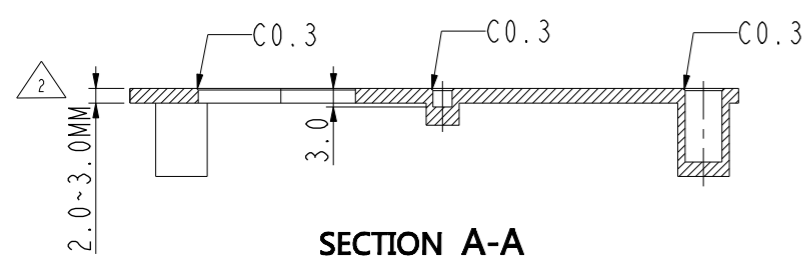
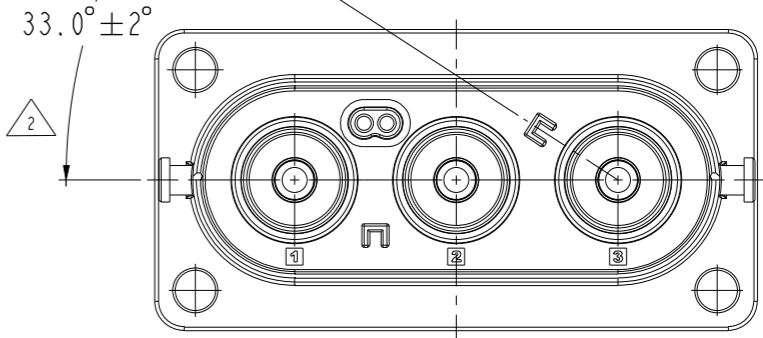
C-HVSL S600023XXH6



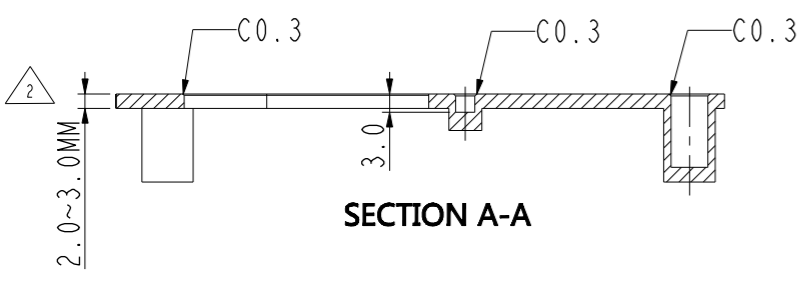
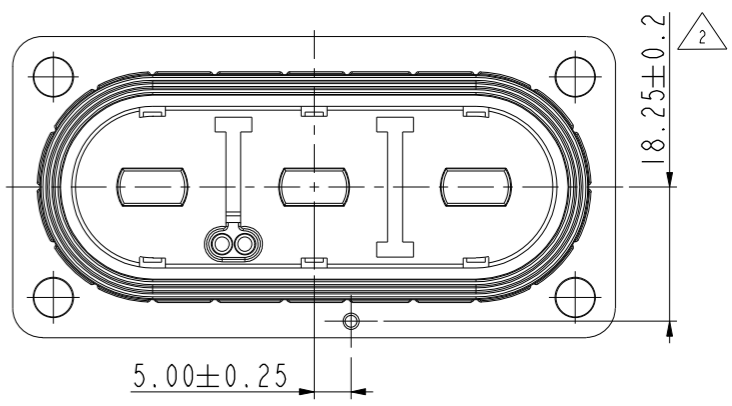
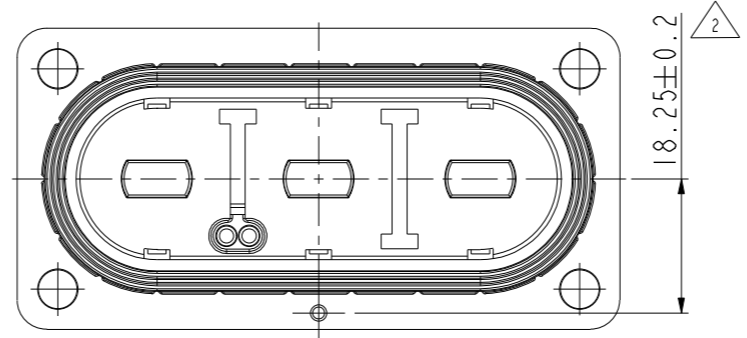
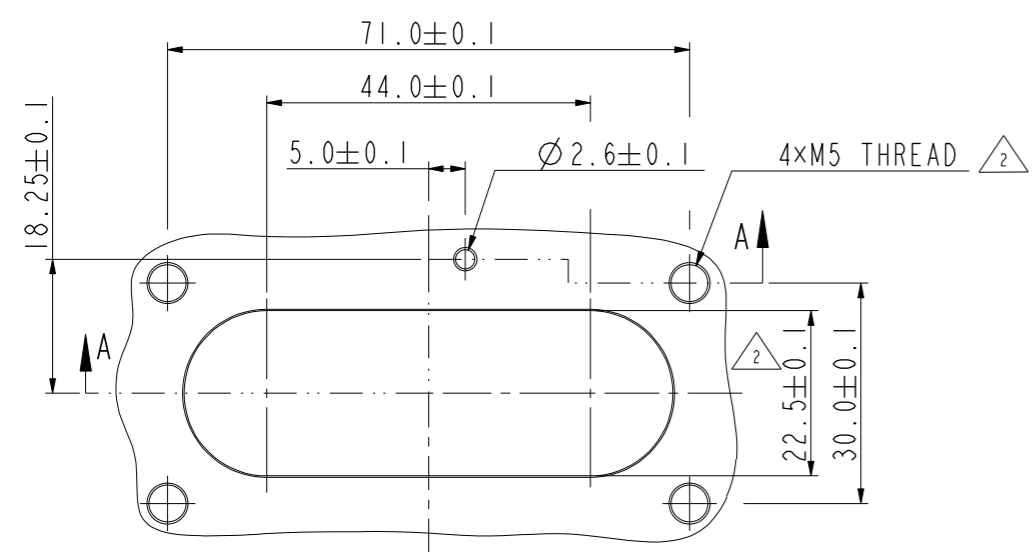
HVLS600 02 3A
CODING A



HVLS600 02 3B
CODING B



SECTION A-A
PANEL CUT-OUT REFERENCE FOR CODING A



HVIL PIN (2PCS)
P/N:C420003643

SECTION A-A
PANEL CUT-OUT REFERENCE FOR CODING B

| | | |
|-------------------|------------------------------------|-----------------|
| SIZE A3 | DWG NO. C-HVLS600023XXH6 | REV 2 |
| CODE: 58982 | SCALE: 3:2 | SHEET 2 OF 2 |

C-HVLS600023XXH6

C-HVLS600023XXH6