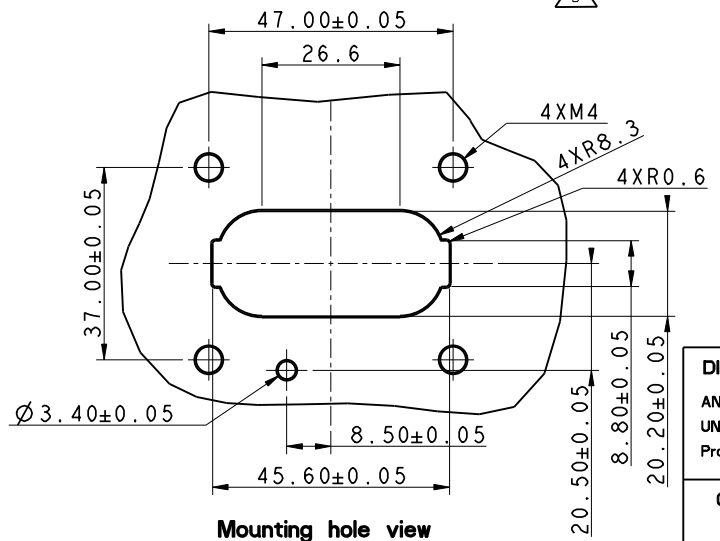
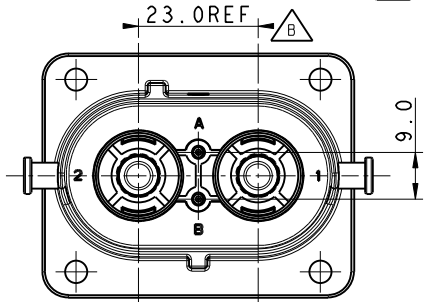
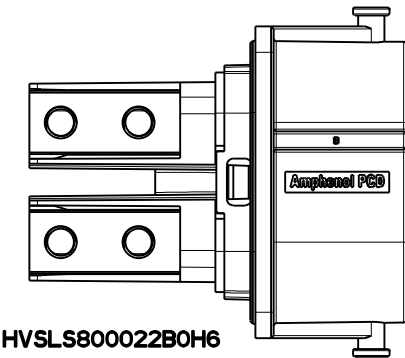
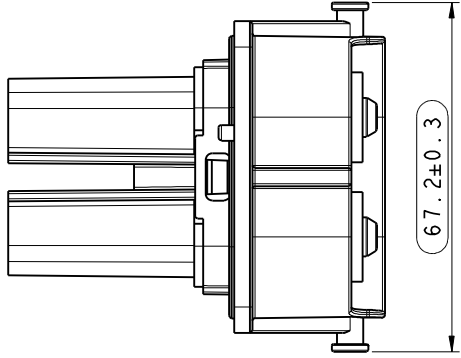
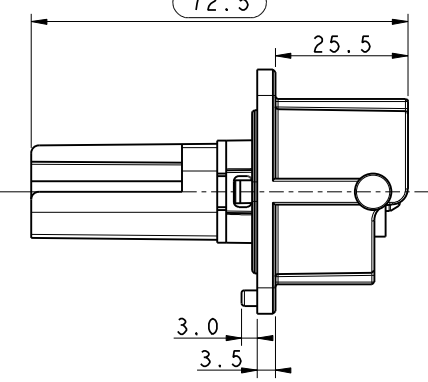
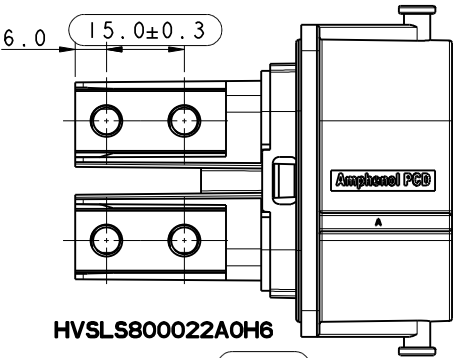
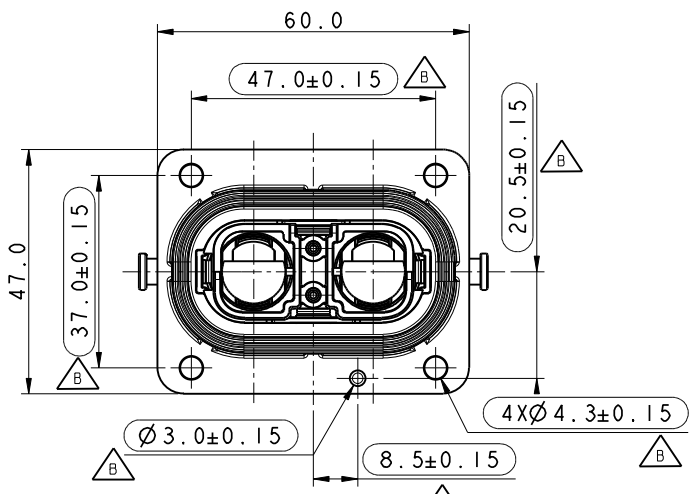


Amphenol PCD SZ
ORIGINAL
PDF Format
R&D

安费诺精密连接器(深圳)有限公司
 Amphenol PCD Shenzhen
 受控文件
 2019年4月3日

REV	ECN	DESCRIPTION	DATE	MODIFIED
A		RELEASE	Nov-10-17	
B	R0362	修改尺寸公差	2019.3.5	



TECHNICAL DATA		
CURRENT RATE 25MM ² WIRE	120A	+
CURRENT RATE 35MM ² WIRE	150A	+
CURRENT RATE 50MM ² WIRE	180A	+
VOLTAGE RATE	1000V DC	+
OPERATING TEMPERATURE	-40-125°C	
DIELECTRIC WITHSTANDING VOLTAGE	3000V AC	+
INSULATION RESISTANCE	2000M Ω	+
DURABILITY	50 CYCLES	⊙
SHIELDING	YES	
WATERPROOF(MATED CONDITION)	IP67 IP6K9K	+
CORROSION-PROFF GRADE(SALT FOG TEST)	96 HOURS	
AMBIENT TEMPERATURE	-40-70°C	

DIMENSIONS	TOLERANCES	PROJECTION	TITLE		
ANSI Y14.5M UNITS: MM Pro/E FILE	.X ±0.05 .XX ±0.30 ANGLES ±2.0°		HVLS800 RECEPTACLE NO HVIL		
ORIGINAL	THIS DOCUMENT CONTAINS PROPRIETARY INFORMATION WHICH IS THE CONFIDENTIAL PROPERTY OF AMPHENOL PCD SHENZHEN	ENGR Nov-10-17 CHKD APPD			
			CODE: 58982	SCALE: 1:1	SHEET 1 OF 1

C-HVLS800022X0H6

C-HVLS800022X0H6