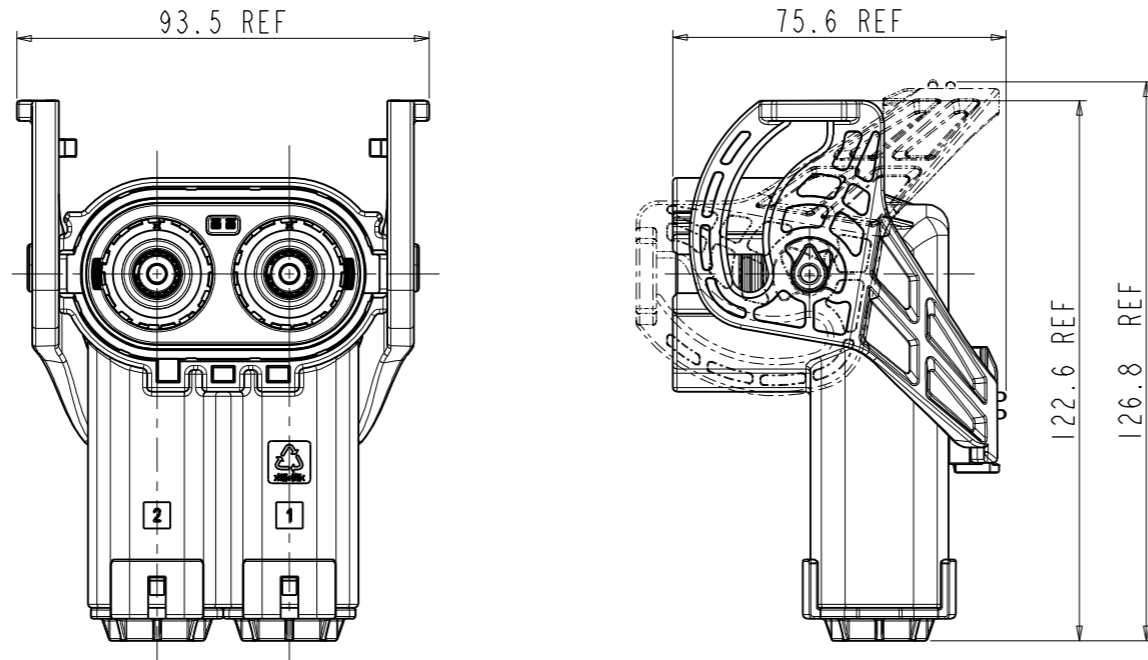


Amphenol PCDSZ  
ORIGINAL  
PDF Format  
R & D

REV	ECN	DESCRIPTION	DATE	MODIFIED
1		RELEASE	2021.01.26	
2	C5349-N	更新图纸主体组件料号	2021.04.16	



安费诺精密连接器(深圳)有限公司  
Amphenol PCD Shenzhen  
受控文件  
2021年9月9日

3. TECHNICAL DATA TABLE

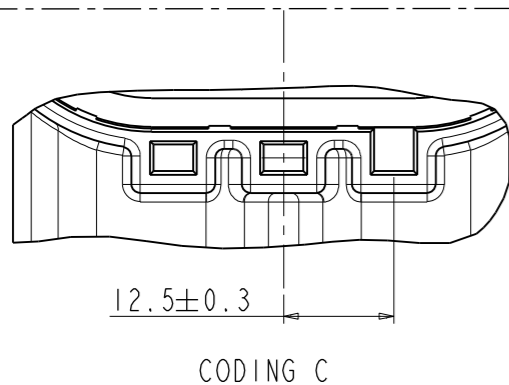
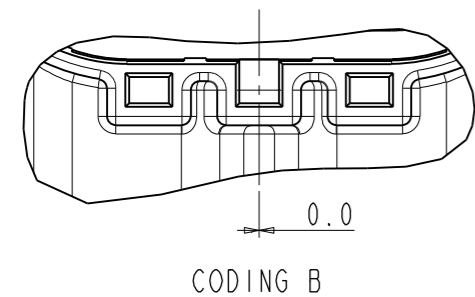
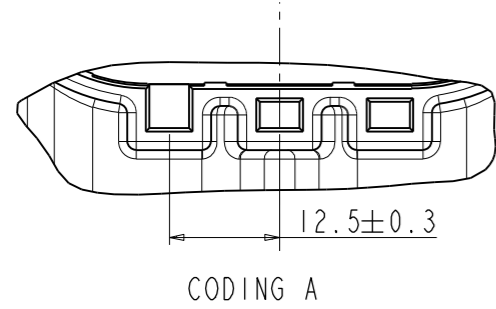
TECHNICAL DATA		
CURRENT RATING (70mm <sup>2</sup> SHIELDED CABLE)	250A@ AMBIENT 70°C	+
CURRENT RATING (50mm <sup>2</sup> SHIELDED CABLE)	200A@ AMBIENT 70°C	+
CURRENT RATING (0.5mm <sup>2</sup> UNSHIELDED CABLE)	5A@ AMBIENT 70°C	+
RATING VOLTAGE (OVERVOLTAGE CATEGORY II POLLUTION DRGREE 2)	1000V DC	+
OPERATING TEMPERATURE	-40°C~125°C	
DIELECTRIC WITHSTANDING VOLTAGE	POWER CONTACT:3000V AC(RMS)	+
	HVIL CONTACT:660V AC (RMS)	+
INSULATION RESISTANCE	200MΩ MIN. @25°C NO CABLE	+
DURABILITY	50 CYCLES	⊙
SHIELDING	YES	
WATERPROF(MATED CONDITION)	IP67 IP6K9K	+
PROTECTION LEVEL	IP2XB	+
AMBIENT TEMPERATURE	-40°C~70°C	
RoHS	YES	+

NOTES:

- MATERIAL & FINISH:  
PLASTIC BODY: THERMOPLASTICS ORANGE COLOR  
POWER CONTACT: COPPER ALLOY SILVER AND FOG TIN PLATED
- PART NUMBER DESCRIPTION:

HVSLP 1000 08 2 X X XX

- A: CODING A
- B: CODING B
- C: CODING C
- 0: WITHOUT HVIL
- 1: WITH HVIL
- 01: CROSS-SECTION 70mm<sup>2</sup>  
WIRE OD=17.9 ± 0.3mm
- 02: CROSS-SECTION 50mm<sup>2</sup>  
WIRE OD=15.5 ± 0.3mm



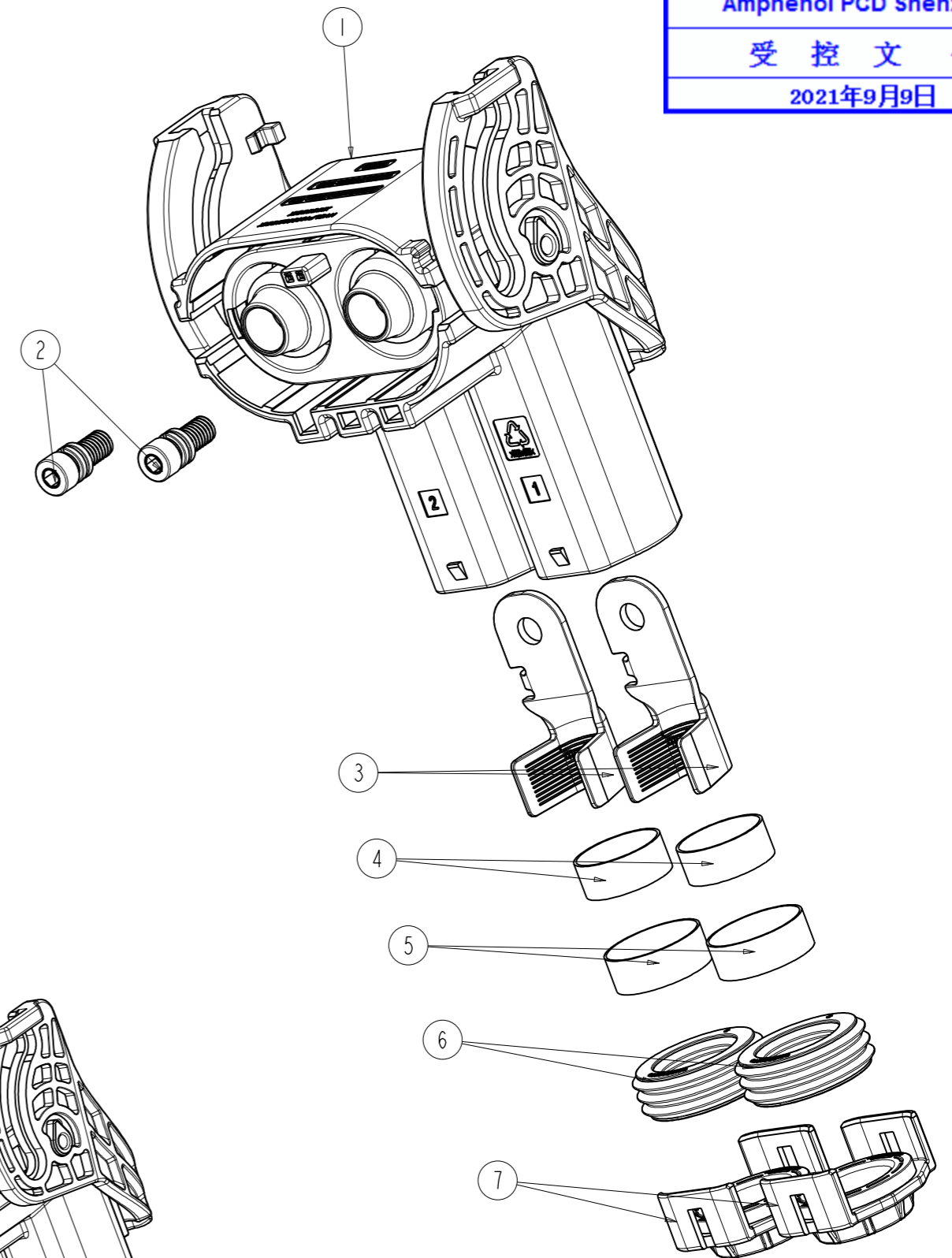
DIMENSIONS	TOLERANCES	PROJECTION	TITLE		
ANSI Y14.5M UNITS: MM Pro/E FILE	.X ±0.5 .XX ±0.05 ANGLES ±0.5°		HVSLP 1000 08 2 X X XX R/A PLUG ASSEMBLY		
			ENGR	2021.01.26	
	THIS DOCUMENT CONTAINS PROPRIETARY INFORMATION WHICH IS THE CONFIDENTIAL PROPERTY OF Amphenol PCD Shenzhen Co.Ltd Amphenol PCD Shenzhen Co.Ltd RESERVES THE RIHGT TO CLARIFY THIS DRAWING		CHKD		SIZE A3
			APPD		DWG NO. C-HVSLP1000082XXXX
					REV 2
				CODE: 58982	SCALE: 1:1 SHEET 1 OF 2

C-HVSLP1000082XXXX

C-HVSLP1000082XXXX

4. ASSEMBLY AND DETAIL BOM LIST SHOW

HVSLP1000 082XXXX	7	C2200037256	70mm <sup>2</sup>	END CAP(WIRE OD=17.9±0.3mm)	2
		C2200037255	50mm <sup>2</sup>	END CAP(WIRE OD=15.5±0.3mm)	2
	6	P01BR00276	50mm <sup>2</sup>	SEAL(WIRE OD=15.5±0.3mm)	2
		P01BR00270	70mm <sup>2</sup>	SEAL(WIRE OD=17.9±0.3mm)	2
	5	P01BM00640	70mm <sup>2</sup>	OUTER SHIELDING SLEEVE (WIRE OD=17.9±0.3mm)	2
		P01BM00613	50mm <sup>2</sup>	OUTER SHIELDING SLEEVE (WIRE OD=15.5±0.3mm)	2
	4	P01BM00641	70mm <sup>2</sup>	INNER SHIELDING SLEEVE (WIRE OD=17.9±0.3mm)	2
		P01BM00614	50mm <sup>2</sup>	INNER SHIELDING SLEEVE (WIRE OD=15.5±0.3mm)	2
	3	P01BS0013702	50mm <sup>2</sup>	LUG FOR AR PLUG(PRUCHASD SEPARATELY)	2
		P01BS0013701	70mm <sup>2</sup>	LUG FOR AR PLUG(PRUCHASD SEPARATELY)	2
	2	P01BN00628	N/A	M6 SCREW	2
1	P02B000088XX	N/A	MAIN BODY	1	
ASSEMBLY P/N	ITEM	COMPONENT P/N	CABLE SIZE	DESCRIPTION	Q'TY



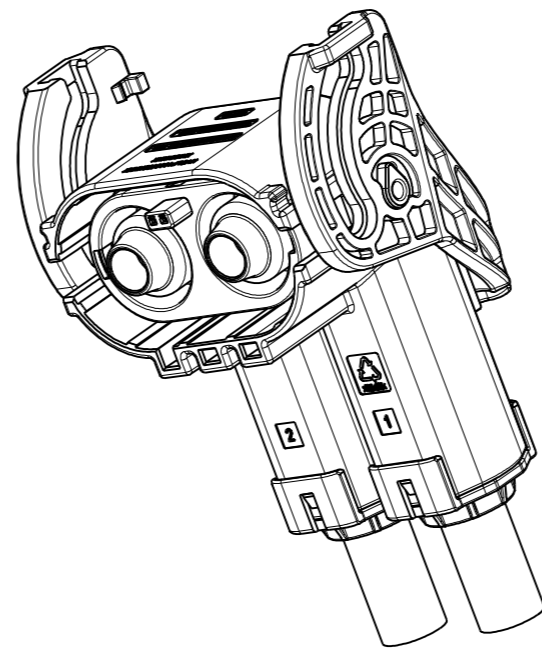
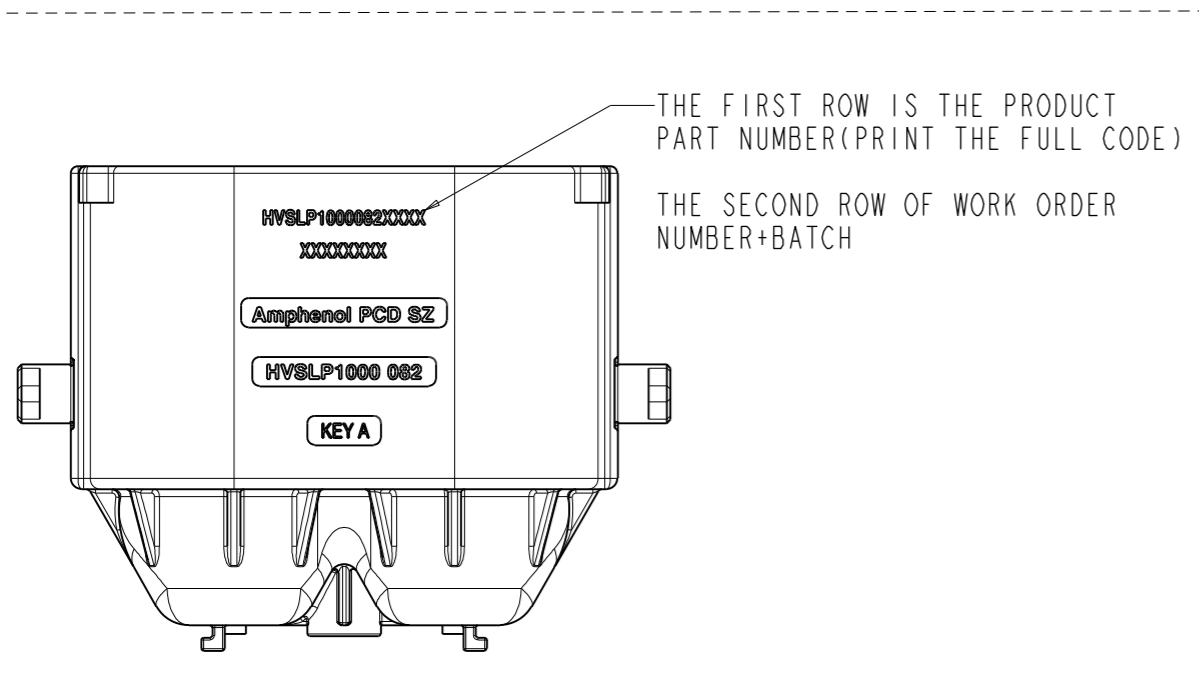
P02B000088XX SELECTION:

MIAN BODY P/N	KEY X	DESCRIPTION
P02B00008801	KEY A	WITH HVIL
P02B00008802	KEY B	WITH HVIL
P02B00008803	KEY C	WITH HVIL
P02B00008804	KEY A	WITHOUT HVIL
P02B00008805	KEY B	WITHOUT HVIL
P02B00008806	KEY C	WITHOUT HVIL

5. PLUG DON'T INCLUD TRANSFER POWER CONTACT, NEED TO BUY SEPARATE:

THE POWER CONTACT(70mm<sup>2</sup>):P01BS0013701, USE LEVEL: 2PCS

THE POWER CONTACT(50mm<sup>2</sup>):P01BS0013702, USE LEVEL: 2PCS



SIZE <b>A3</b>	DWG NO. <b>C-HVSLP1000082XXXX</b>	REV <b>2</b>
CODE: 58982	SCALE: 3:10	SHEET 2 OF 2

C-HVSLP1000082XXXX

C-HVSLP1000082XXXX