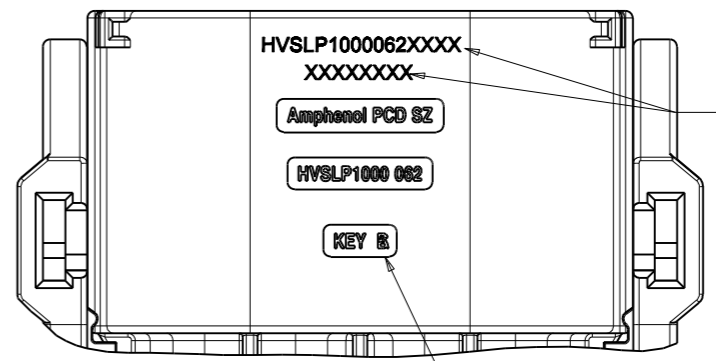
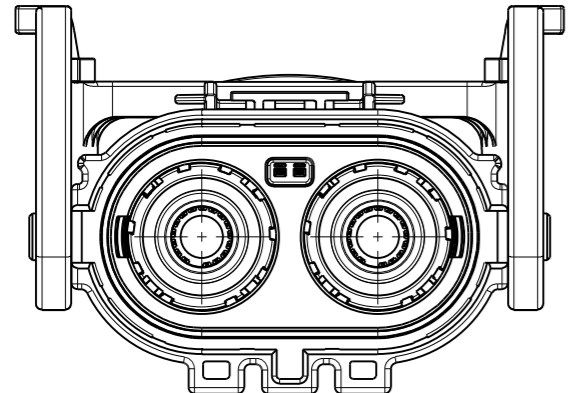
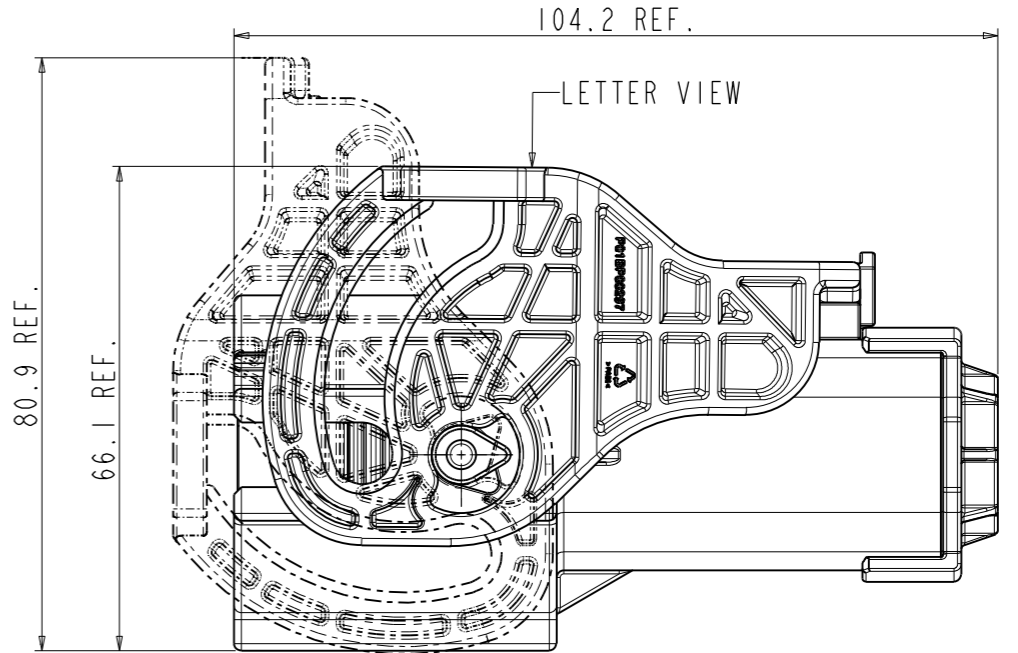
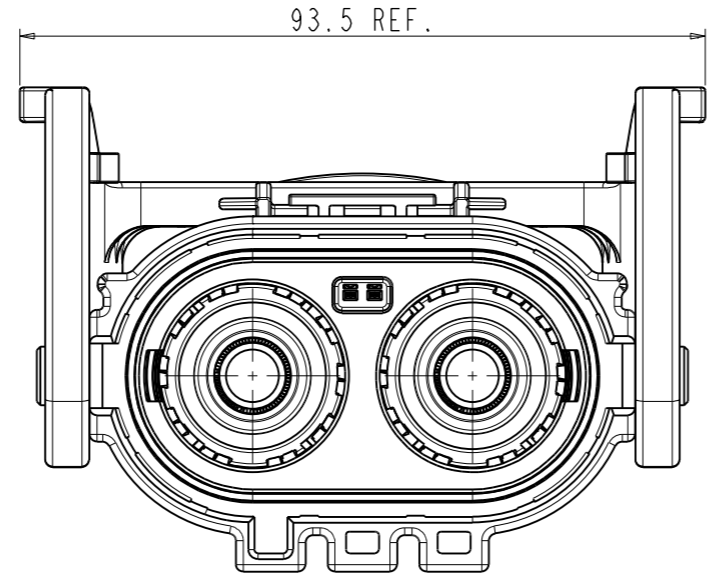
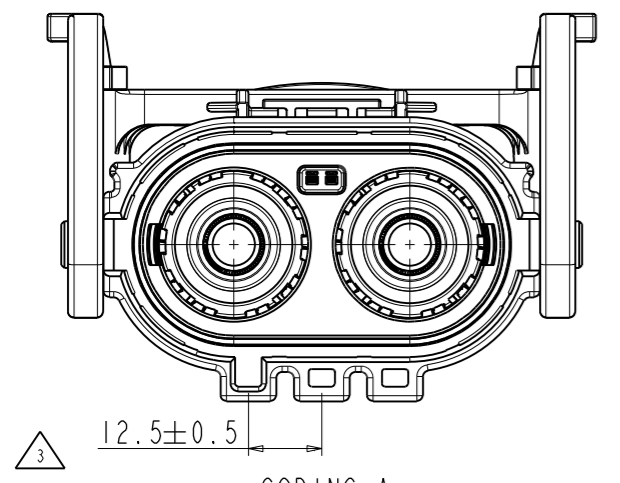


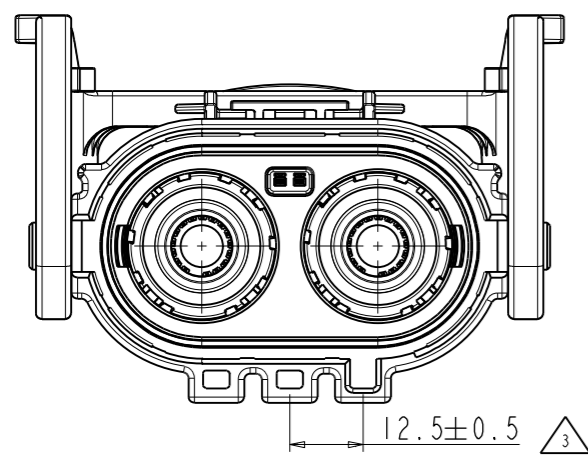
C-HVSLP1000062XXXX

REV	ECN	DESCRIPTION	DATE	MODIFIED
1		RELEASE	2020.09.29	LEON.YANG
2	R4932W	UPDATED P/N	2020.11.26	LEON.YANG
3	C5349N	UPDATED DRAWING P/N	2021.04.20	LEON.YANG

Amphenol PCD SZ  
ORIGINAL  
PDF Format  
R&D



LETTER DESCRIPTION:  
FIRST LINE:  
P/N  
SECOND LINE:  
THE TRACEABILITY CODE



NOTES:

- 1. MATERIAL & FINISH  
PLASTIC BODY: PA66 COLOR ORANGE  
POWER CONTACT: COPPER ALLOY SILVER PLATED  
HVIL CONTACT: COPPER ALLOY TIN PLATED  
SEAL: SR

2. PART NUMBER DESCRIPTION

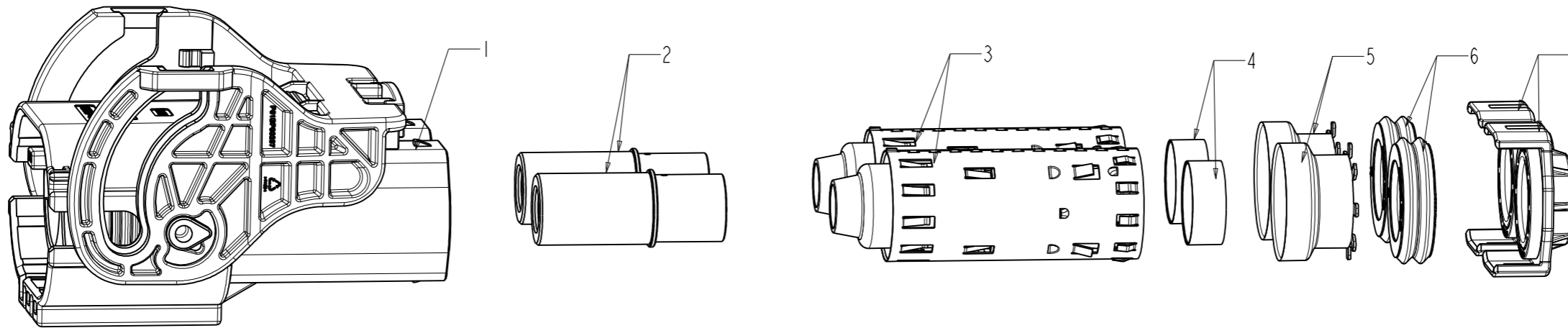
HVSLP1000062 X X XX			
A: CODING A	0: WITHOUT HVIL	01: CROSS-SECTION 70mm <sup>2</sup>	
B: CODING B	1: WITH HVIL	WIRE OD=17.9±0.3mm	
C: CODING C		02: CROSS-SECTION 50mm <sup>2</sup>	
		WIRE OD=15.5±0.3mm	

安费诺精密连接器(深圳)有限公司  
Amphenol PCD Shenzhen  
**受控文件**  
2021年9月9日

DIMENSIONS	TOLERANCES	PROJECTION	TITLE			
ANSI Y14.5M UNITS: MM Pro/E FILE	.X ±0.5 .XX ±0.05 ANGLES ±2°		Amphenol PCD Shenzhen			
ORIGINAL	THIS DOCUMENT CONTAINS PROPRIETARY INFORMATION WHICH IS THE CONFIDENTIAL PROPERTY OF Amphenol PCD Shenzhen Co. Ltd Amphenol PCD Shenzhen Co. Ltd RESERVES THE RIGHT TO CLARIFY THIS DRAWING	CHKD <i>Senbao</i> APPD <i>Derek</i>	ENGR LEON.YANG	2020.09.29	HVSLP1000 STRAIGHT PLUG	
			SIZE <b>A3</b>	DWG NO. C-HVSLP1000062XXXX	REV <b>3</b>	CODE: 58982

C-HVSLP1000062XXXX

C-HVSLP1000062XXXX



3. TECHNICAL DATA TABLE

TECHNICAL DATA		
CURRENT RATING (70mm <sup>2</sup> SHIELDED CABLE)	250A@ AMBIENT 70°C	✦
CURRENT RATING (50mm <sup>2</sup> SHIELDED CABLE)	200A@ AMBIENT 70°C	✦
CURRENT RATING (0.5mm <sup>2</sup> UNSHIELDED CABLE)	5A@ AMBIENT 70°C	✦
RATING VOLTAGE (OVERVOLTAGE CATEGORY II POLLUTION DRGREE 2)	1000V DC	✦
OPERATING TEMPERATURE	-40°C~125°C	
DIELECTRIC WITHSTANDING VOLTAGE	POWER CONTACT:3000V AC(RMS)	✦
	HVIL CONTACT:660V AC (RMS)	✦
INSULATION RESISTANCE	200MΩ MIN.@25°C NO CABLE	✦
DURABILITY	50 CYCLES	◎
SHIELDING	YES	
WATERPRROF(MATED CONDITION)	IP67 IP6K9K	✦
PROTECTION LEVEL	IP2XB	✦
AMBIENT TEMPERATURE	-40°C~70°C	
RoHS	YES	✦

4. HOW TO SELECT I# PART: <sup>3</sup>

TABLE I	CODE	DESCRIPTION
P02B00009001	CONDING A	WITH HVIL
P02B00009002	CONDING B	
P02B00009003	CONDING C	
P02B00009004	CONDING A	WITHOUT HVIL
P02B00009005	CONDING B	
P02B00009006	CONDING C	

5. ASSEMBLY BOM LIST:

7	C2200037256	70mm <sup>2</sup> END CAP	2
	C2200037255	50mm <sup>2</sup> END CAP	2
6	P01BR00280	70mm <sup>2</sup> SEAL	2
	P01BR00257	50mm <sup>2</sup> SEAL	2
5	P01BS0013901	70mm <sup>2</sup> OUTER RING	2
	P01BS0013902	50mm <sup>2</sup> OUTER RING	2
4	P01BM0064301	70mm <sup>2</sup> INNER RING	2
	P01BM0064302	50mm <sup>2</sup> INNER RING	2
3	P02B000059	SHIELDING WITH PLASTIC	2
2	P01BM0064201	70mm <sup>2</sup> POWER CONTACT	2
	P01BM0064202	50mm <sup>2</sup> POWER CONTACT	2
<sup>3</sup> 1	SEE TABLE I	WITHOUT HVIL BODY	1
	SEE TABLE I	WITH HVIL BODY	1
ITEM	P/N	DESCRIPTION	Q'TY

安费诺精密连接器(深圳)有限公司  
Amphenol PCD Shenzhen

受控文件

2021年9月9日

SIZE	DWG NO.	REV
A3	C-HVSLP1000062XXXX	3
CODE: 58982	SCALE: 1:1	SHEET 2 OF 2