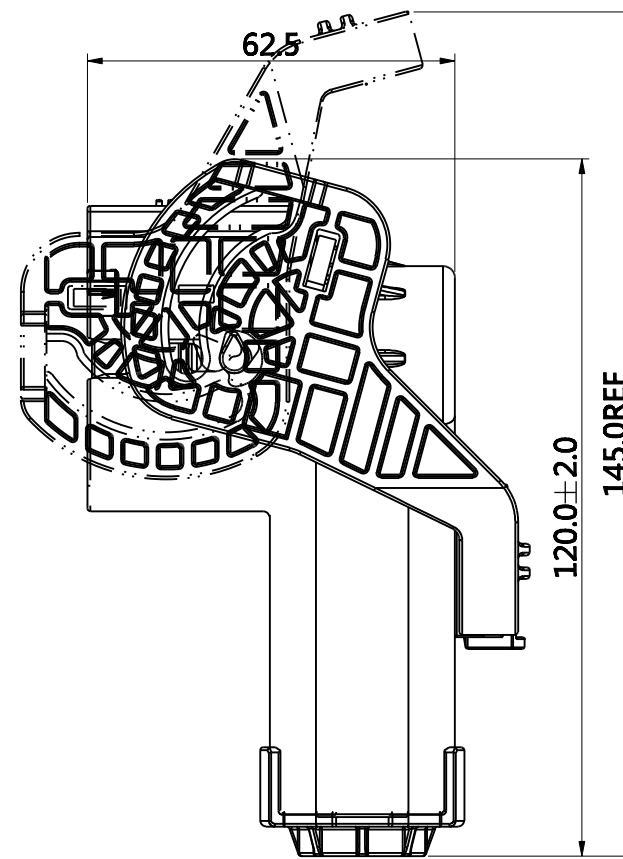
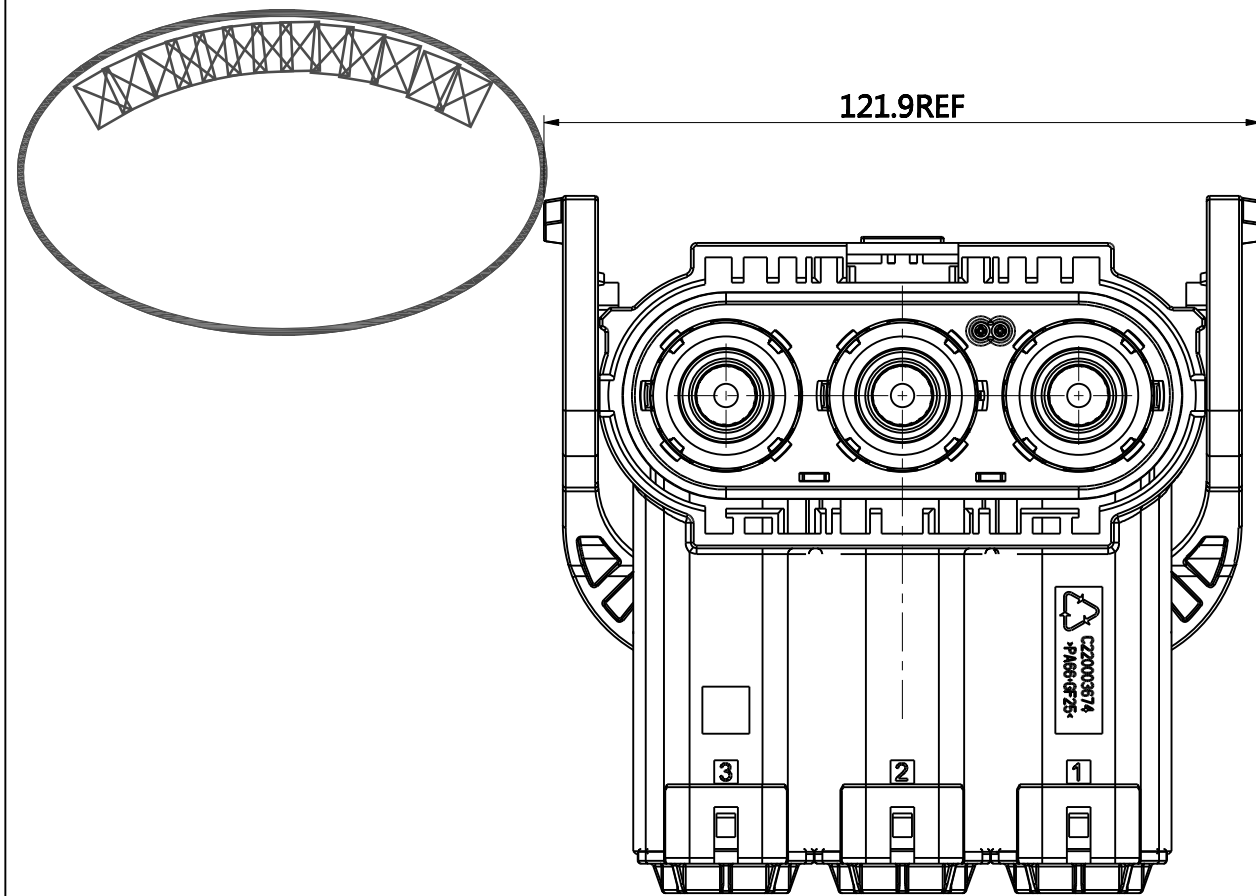


REV	ECN	DESCRIPTION	DATE	MODIFIED
1		RELEASE	2019.07.15	



安费诺精密连接器(深圳)有限公司
Amphenol PCD Shenzhen
受控文件
2019年8月7日

NOTES:

- MATERIAL & FINISH:
PLASTIC BODY: THERMOPLASTICS ORANGE COLOR
POWER CONTACT: COPPER ALLOY SILVER PLATED
HVIL CONTACTS: COPPER ALLOY GOLD PLATED
SEAL RING: SI
- HVIL PIN FOR CABLE DIAMETER: 0.5mm²
- TECHNICAL DATA SHEET: APCD-TD-409
- PART NUMBER DESCRIPTION:

HVSL 1000 08 3 X X XX

A: CODING A 0: WITHOUT HVIL 70: CROSS-SECTION 70mm²: WIRE OD=19.0 ± 0.3mm
 1: WITH HVIL 50: CROSS-SECTION 50mm²: WIRE OD=16.5 ± 0.3mm
 35: CROSS-SECTION 35mm²: WIRE OD=14.2 ± 0.3mm
 25: CROSS-SECTION 25mm²: WIRE OD=11.9 ± 0.3mm

TECHNICAL DATA		RM
CURRENT RATE 25~70MM ² SHIELD CABLE	25mm ² :120A @AMBIENT 70° C 35mm ² :150A @AMBIENT 70° C 50mm ² :180A @AMBIENT 70° C 70mm ² :250A @AMBIENT 70° C	+
RATING VOLTAGE (OVERVOLTAGE CATEGORY II POLLUTION DEGREE 2)	1000V DC	+
OPERRATING TEMPERATURE	-40-125° C	
DIELECTRIC WITHSTANDING VOLTAGE	3000V AC	+
INSULATION RESISTANCE	100 MΩ Min	+
DURABILITY	50 CYCLES	⊙
SHIELDING	YES	
WATERPROOF (MATED CONDITION)	IP67&IP6K9K	+
PROTECTION LEVEL	IP2XB	+
AMBIENT TEMPERATURE	40~70° C	
RoHS	YES	+

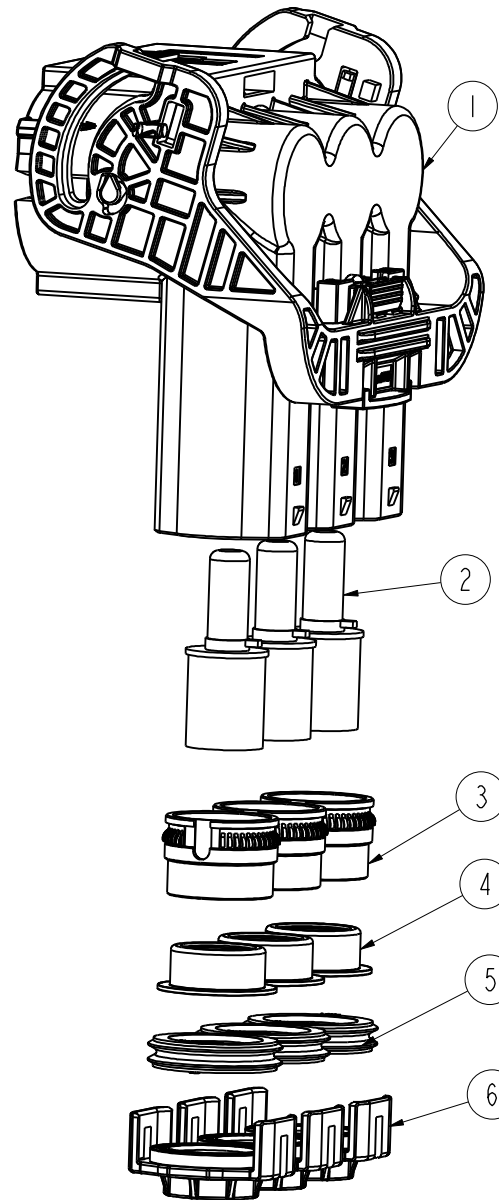
† CRITICAL CHARACTERISTIC MARKS/关键特性符号
 © IMPORTANT CHARACTERISTIC MARKS/重要特性符号

DIMENSIONS ANSI Y14.5M UNITS: MM Pro/E FILE	TOLERANCES .X ±0.5 .XX ±0.05 ANGLES ±2.0°	PROJECTION 	TITLE HVSL1000 SERIES 3POS R/A PLUG	
ORIGINAL	THIS DOCUMENT CONTAINS PROPRIETARY INFORMATION WHICH IS THE CONFIDENTIAL PROPERTY OF AMPHENOL PCD SHENZHEN		ENGR 15/07/19	CHKD
			APPD	APPD
			SIZE A3	DWG NO. C-HVSL1000083XXXX
			CODE: 58982	SCALE:0.9:1
			SHEET 1	OF 3
			REV 1	

C-HVSL1000083XXXX

C-HVSL1000083XXXX

WITH INTERLOCK BOM:



HVSL1000083A 1 XX
"XX"=25/35/50/70

ITEM	P/N	Q'ty	REMARK	DESCRIPTION
6	C2200037254	3	70mm ²	END CAP(CABLE OD:19.0 ± 0.3mm)
	C2200037251	3	50mm ²	END CAP(CABLE OD:16.5 ± 0.3mm)
	C2200037252	3	35mm ²	END CAP(CABLE OD:14.2 ± 0.3mm)
	C2200037253	3	25mm ²	END CAP(CABLE OD:11.9 ± 0.3mm)
5	C2700036044	3	70mm ²	CABLE SEAL(CABLE OD:19.0 ± 0.3mm)
	C2700036041	3	50mm ²	CABLE SEAL(CABLE OD:16.5 ± 0.3mm)
	C2700036042	3	35mm ²	CABLE SEAL(CABLE OD:14.2 ± 0.3mm)
	C2700036043	3	25mm ²	CABLE SEAL(CABLE OD:11.9 ± 0.3mm)
4	C2000036321	3	70mm ²	INNER FERRULE(CABLE OD:19.0 ± 0.3mm)
	C2000036322	3	50mm ²	INNER FERRULE(CABLE OD:16.5 ± 0.3mm)
	C2000036323	3	35mm ²	INNER FERRULE(CABLE OD:14.2 ± 0.3mm)
	C2000036324	3	25mm ²	INNER FERRULE(CABLE OD:11.9 ± 0.3mm)
3	C4200036331	3	70mm ²	OUT FERRULE(CABLE OD:19.0 ± 0.3mm)
	C4200036332	3	50mm ²	OUT FERRULE(CABLE OD:16.5 ± 0.3mm)
	C4200036333	3	35mm ²	OUT FERRULE(CABLE OD:14.2 ± 0.3mm)
	C4200036333	3	25mm ²	OUT FERRULE(CABLE OD:11.9± 0.3mm)
2	C2000036311	3	70mm ²	CONTACT BODY
	C2000036312	3	50mm ²	
	C2000036313	3	35mm ²	
	C2000036314	3	25mm ²	
1	HVSL1000083A1	1	KEY A	MAIN BODY & WITH HVIL

C-HVSL1000083XXXX

C-HVSL1000083XXXX

SIZE	DWG NO.	REV
A3	C-HVSL1000083XXXX	1
CODE: 58982	SCALE:	SHEET 2 OF 3

WITHOUT INTERLOCK BOM:

HVSL1000083A 0 XX "XX"=25/35/50/70	6	C2200037254	3	70mm ²	END CAP(CABLE OD:19.0 ± 0.3mm)
		C2200037251	3	50mm ²	END CAP(CABLE OD:16.5 ± 0.3mm)
		C2200037252	3	35mm ²	END CAP(CABLE OD:14.2 ± 0.3mm)
		C2200037253	3	25mm ²	END CAP(CABLE OD:11.9 ± 0.3mm)
	5	C2700036044	3	70mm ²	CABLE SEAL(CABLE OD:19.0 ± 0.3mm)
		C2700036041	3	50mm ²	CABLE SEAL(CABLE OD:16.5 ± 0.3mm)
		C2700036042	3	35mm ²	CABLE SEAL(CABLE OD:14.2 ± 0.3mm)
		C2700036043	3	25mm ²	CABLE SEAL(CABLE OD:11.9 ± 0.3mm)
	4	C2000036321	3	70mm ²	INNER FERRULE(CABLE OD:19.0 ± 0.3mm)
		C2000036322	3	50mm ²	INNER FERRULE(CABLE OD:16.5 ± 0.3mm)
		C2000036323	3	35mm ²	INNER FERRULE(CABLE OD:14.2 ± 0.3mm)
		C2000036324	3	25mm ²	INNER FERRULE(CABLE OD:11.9 ± 0.3mm)
	3	C4200036331	3	70mm ²	OUT FERRULE(CABLE OD:19.0 ± 0.3mm)
		C4200036332	3	50mm ²	OUT FERRULE(CABLE OD:16.5 ± 0.3mm)
		C4200036333	3	35mm ²	OUT FERRULE(CABLE OD:14.2 ± 0.3mm)
		C4200036333	3	25mm ²	OUT FERRULE(CABLE OD:11.9 ± 0.3mm)
	2	C2000036311	3	70mm ²	CONTACT BODY
		C2000036312	3	50mm ²	
		C2000036313	3	35mm ²	
		C2000036314	3	25mm ²	
1	HVSL1000083A0	1	KEY A	MAIN BODY & WITH HVIL	
ITEM	P/N	Q'ty	REMARK	DESCRIPTION	

安费诺精密连接器(深圳)有限公司 Amphenol PCD Shenzhen
受 控 文 件
2019年8月7日

SIZE	DWG NO.	REV
A3	C-HVSL1000083XXXX	1
CODE: 58982	SCALE:	SHEET 3 OF 3