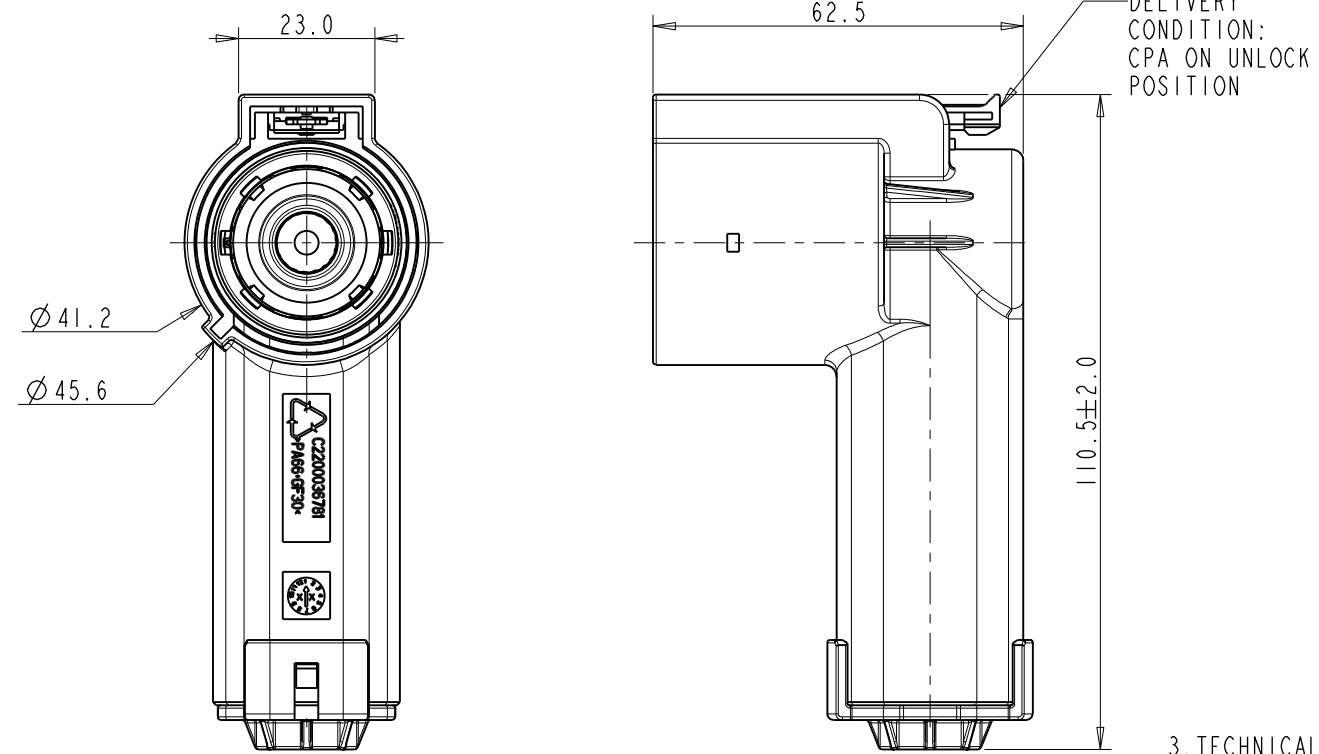
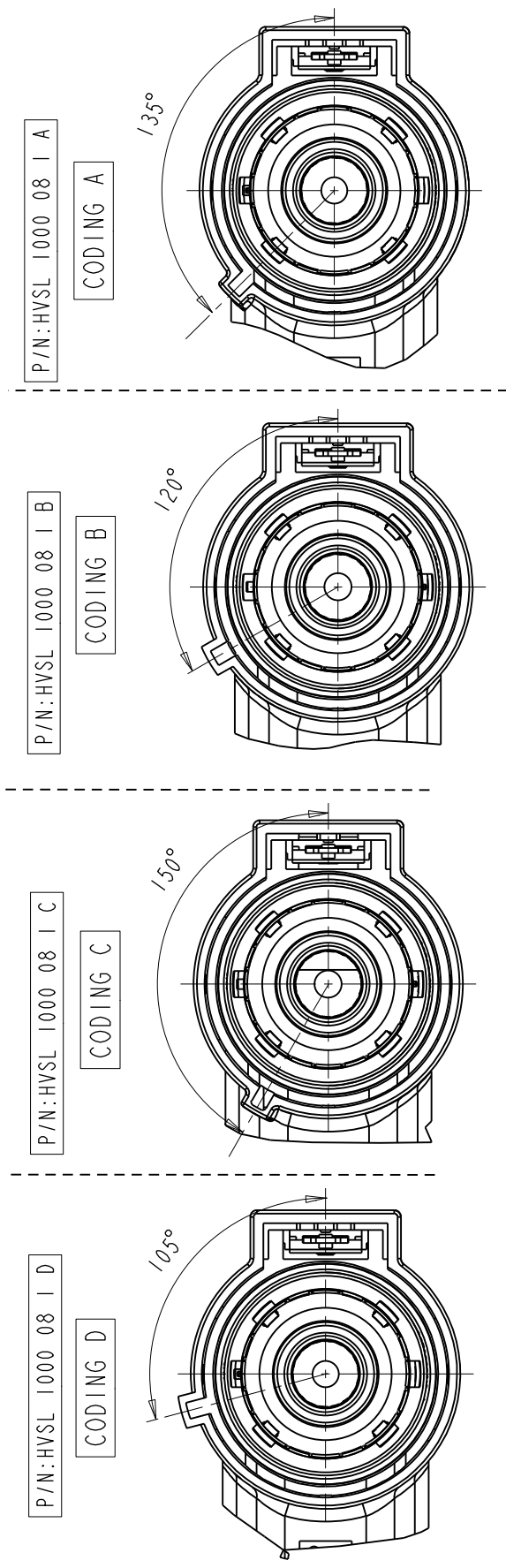


Amphenol PCD SZ
ORIGINAL
PDF Format
R&D

REV	ECN	DESCRIPTION	DATE	MODIFIED
A		PRE- RELEASE	Sep-14-2018	
B	C3374N	ADD HEST SHRINK TUBE	Jul-03-2019	
C	C3714N	CHANGE MATERIAL QTY	Sep-21-2019	
D	C6604N	ADD C & D CODE	Oct-22-2022	

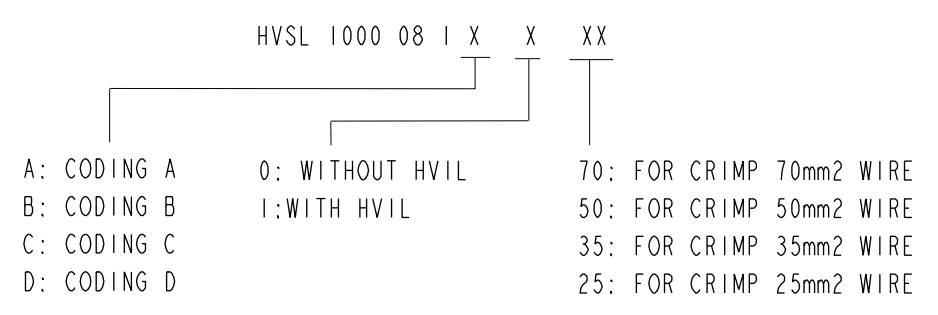


3. TECHNICAL DATA

TECHNICAL DATA		RM
CURRENT RATE 25-70MM ² SHIELD CABLE	25mm ² : 120A @AMBIENT 70°C 35mm ² : 150A @AMBIENT 70°C 50mm ² : 180A @AMBIENT 70°C 70mm ² : 250A @AMBIENT 70°C	+
RATING VOLTAGE (OVERVOLTAGE CATEGORY II POLLUTION DEGREE 2)	1000V DC	+
OPERRATING TEMPERATURE	-40-125°C	
DIELECTRIC WITHSTANDING VOLTAGE	3000V AC	+
INSULATION RESISTANCE	200 M Ω Min	+
DURABILITY	50 CYCLES	⊙
SHIELDING	YES	
WATERPRROF (MATED CONDITION)	IP67&IP6K9K	+
PROTECTION LEVEL	IP2XB	+
AMBIENT TEMPERATURE	40-70°C	
RoHS	YES	+

NOTES:

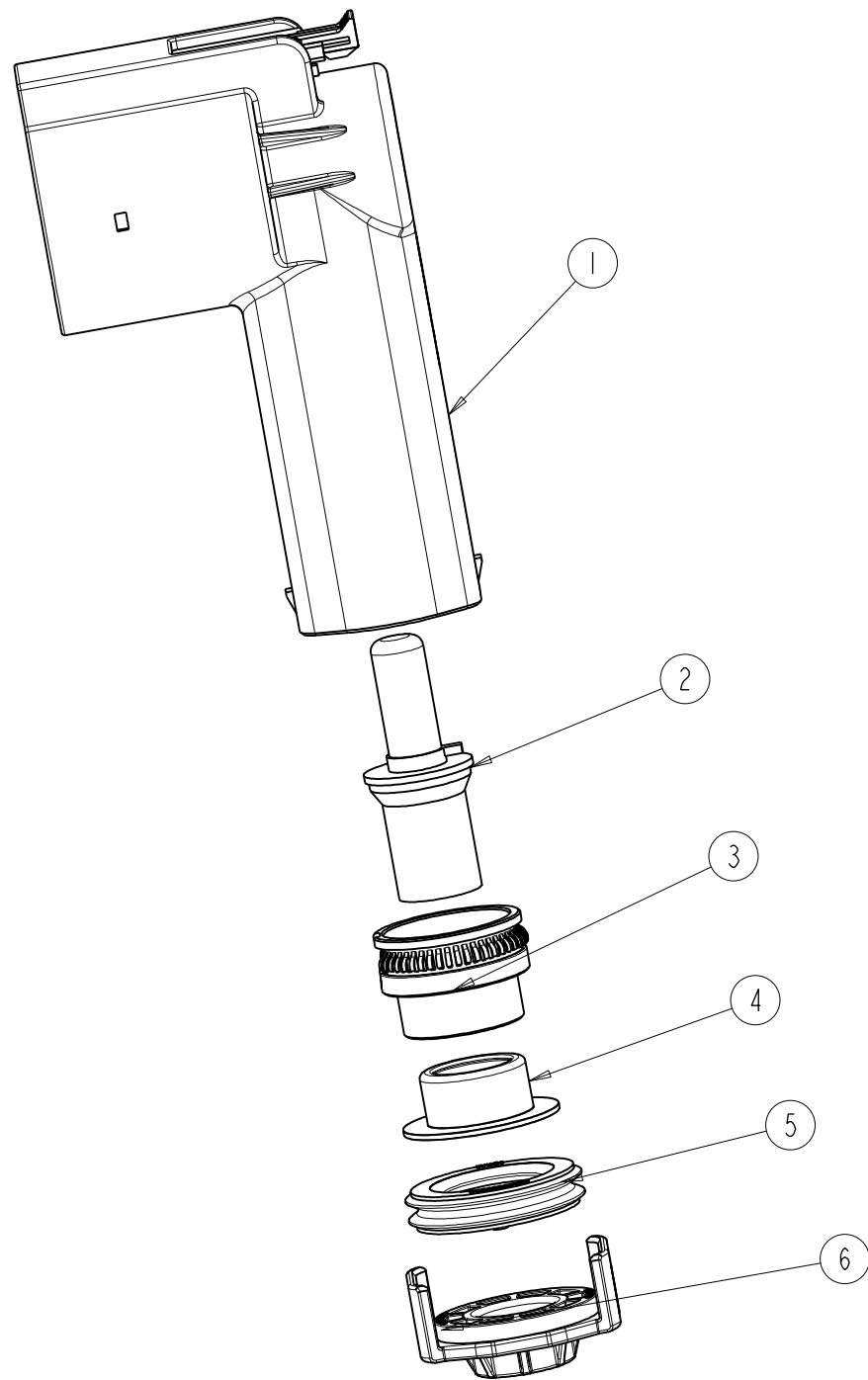
- MATERIAL & FINISH:
PLASTIC BODY: THERMOPLASTICS ORANGE COLOR
POWER CONTACT: COPPER ALLOY SILVER PLATED
SEAL RING: SI
- PART NUMBER DESCRIPTION:



DIMENSIONS	TOLERANCES	PROJECTION	TITLE		
ANSI Y14.5M UNITS: MM Pro/E FILE	X ±0.5 XX ±0.05 ANGLES ±2°		HVSL1000 1P PLUG		
ORIGINAL	THIS DOCUMENT CONTAINS PROPRIETARY INFORMATION WHICH IS THE CONFIDENTIAL PROPERTY OF Amphenol PCD Shenzhen Co. Ltd Amphenol PCD Shenzhen Co. Ltd RESERVES THE RIGHT TO CLARIFY THIS DRAWING		ENGR	SIZE	REV
			APPD	A3	D
			CHKD	DWG NO.	
			APPD	C-HVSL1000081XXXX	
				SCALE: 1:1	SHEET 1 OF 3

C-HVSL1000081XXXX

C-HVSL1000081XXXX



比例 4:5

HVSL1000081 X 0 XX
 "X"=A/B
 "XX"=25/35/50/70

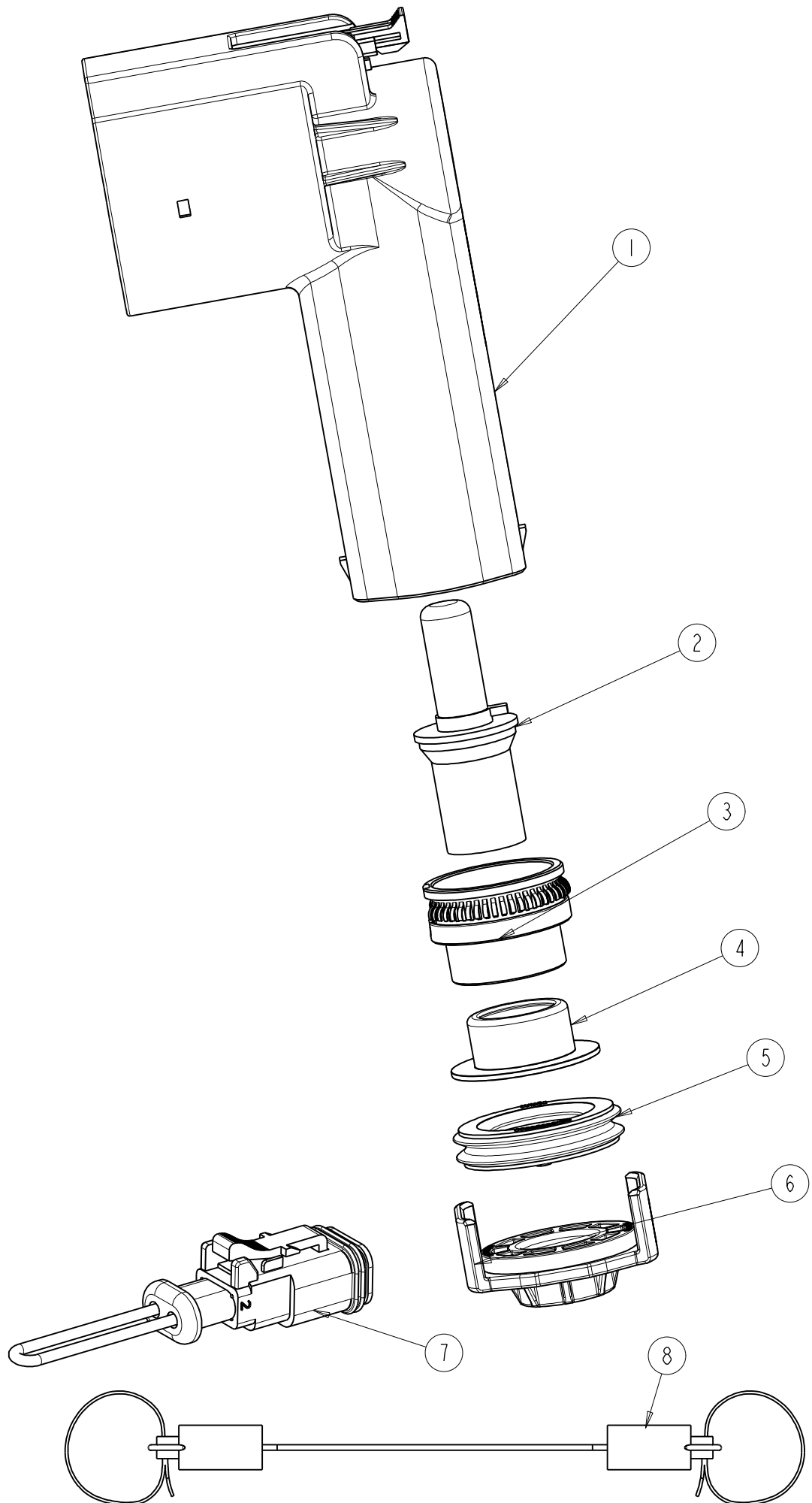
HVSL1000081X SELECTION:

HVSL1000081A	KEY A
HVSL1000081B	KEY B

ITEM	P/N	Q'ty	REMARK	DESCRIPTION
6	C2200037254	1	70mm ²	END CAP(CABLE OD:19.0 ± 0.3mm)
	C2200037251	1	50mm ²	END CAP(CABLE OD:16.5 ± 0.3mm)
	C2200037252	1	35mm ²	END CAP(CABLE OD:14.2 ± 0.3mm)
	C2200037253	1	25mm ²	END CAP(CABLE OD:11.9 ± 0.3mm)
5	C2700036044	1	70mm ²	CABLE SEAL(CABLE OD:19.0 ± 0.3mm)
	C2700036041	1	50mm ²	CABLE SEAL(CABLE OD:16.5 ± 0.3mm)
	C2700036042	1	35mm ²	CABLE SEAL(CABLE OD:14.2 ± 0.3mm)
	C2700036043	1	25mm ²	CABLE SEAL(CABLE OD:11.9 ± 0.3mm)
4	C2000036321	1	70mm ²	INNER FERRULE(CABLE OD:19.0 ± 0.3mm)
	C2000036322	1	50mm ²	INNER FERRULE(CABLE OD:16.5 ± 0.3mm)
	C2000036323	1	35mm ²	INNER FERRULE(CABLE OD:14.2 ± 0.3mm)
	C2000036324	1	25mm ²	INNER FERRULE(CABLE OD:11.9 ± 0.3mm)
3	C4200036331	1	70mm ²	OUT FERRULE(CABLE OD:19.0 ± 0.3mm)
	C4200036332	1	50mm ²	OUT FERRULE(CABLE OD:16.5 ± 0.3mm)
	C4200036333	1	35mm ²	OUT FERRULE(CABLE OD:14.2 ± 0.3mm)
	C4200036333	1	25mm ²	OUT FERRULE(CABLE OD:11.9 ± 0.3mm)
2	C4200036311	1	70mm ²	CONTACT BODY
	C4200036312	1	50mm ²	
	C4200036313	1	35mm ²	
	C4200036314	1	25mm ²	
1	HVSL1000081X	1	KEYS	MAIN BODY

C-HVSL1000081XXXX

C-HVSL1000081XXXX



HVSL1000081 X I XX
 "X"=A/B
 "XX"=25/35/50/70

ITEM	P/N	Q'ty	REMARK	DESCRIPTION
8	C210003611	1	ALL	STAINLESS STEEL ROPE ASSEMBLY
7	C210003610	1	ALL	HVIL ASSEMBLY
6	C2200037254	1	70mm ²	END CAP(CABLE OD:19.0 ± 0.3mm)
	C2200037251	1	50mm ²	END CAP(CABLE OD:16.5 ± 0.3mm)
	C2200037252	1	35mm ²	END CAP(CABLE OD:14.2 ± 0.3mm)
	C2200037253	1	25mm ²	END CAP(CABLE OD:11.9 ± 0.3mm)
5	C2700036044	1	70mm ²	CABLE SEAL(CABLE OD:19.0 ± 0.3mm)
	C2700036041	1	50mm ²	CABLE SEAL(CABLE OD:16.5 ± 0.3mm)
	C2700036042	1	35mm ²	CABLE SEAL(CABLE OD:14.2 ± 0.3mm)
	C2700036043	1	25mm ²	CABLE SEAL(CABLE OD:11.9 ± 0.3mm)
4	C2000036321	1	70mm ²	INNER FERRULE(CABLE OD:19.0 ± 0.3mm)
	C2000036322	1	50mm ²	INNER FERRULE(CABLE OD:16.5 ± 0.3mm)
	C2000036323	1	35mm ²	INNER FERRULE(CABLE OD:14.2 ± 0.3mm)
	C2000036324	1	25mm ²	INNER FERRULE(CABLE OD:11.9 ± 0.3mm)
3	C4200036331	1	70mm ²	OUT FERRULE(CABLE OD:19.0 ± 0.3mm)
	C4200036332	1	50mm ²	OUT FERRULE(CABLE OD:16.5 ± 0.3mm)
	C4200036333	1	35mm ²	OUT FERRULE(CABLE OD:14.2 ± 0.3mm)
	C4200036333	1	25mm ²	OUT FERRULE(CABLE OD:11.9 ± 0.3mm)
2	C4200036311	1	70mm ²	CONTACT BODY
	C4200036312	1	50mm ²	
	C4200036313	1	35mm ²	
	C4200036314	1	25mm ²	
1	HVSL1000081X	1	KEYS	MAIN BODY
ITEM	P/N	Q'ty	REMARK	DESCRIPTION

HVSL1000081X SELECTION:

HVSL1000081A	KEY A
HVSL1000081B	KEY B

SIZE	DWG NO.	REV
A3	C-HVSL1000081XXXX	D
SCALE: 1:1		SHEET 3 OF 3