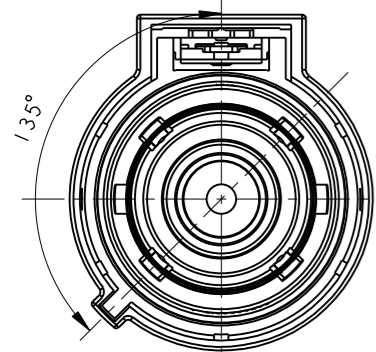
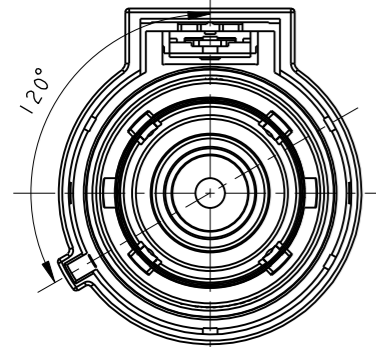


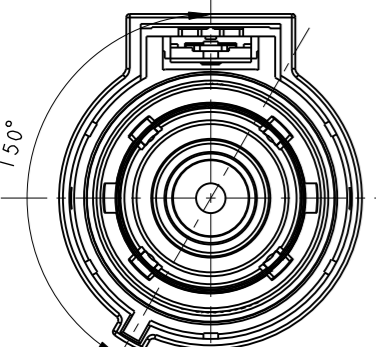
REV	ECN	DESCRIPTION	DATE	MODIFIED
1		PRE-RELEASE	2019.8.13	



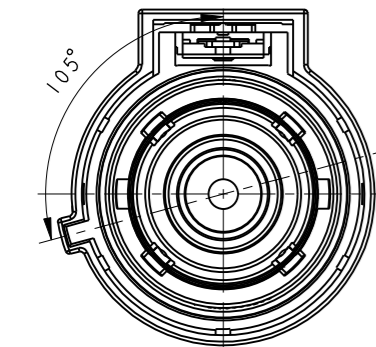
HVSL 1000 06 1 A
CODING A



HVSL 1000 06 1 B
CODING B

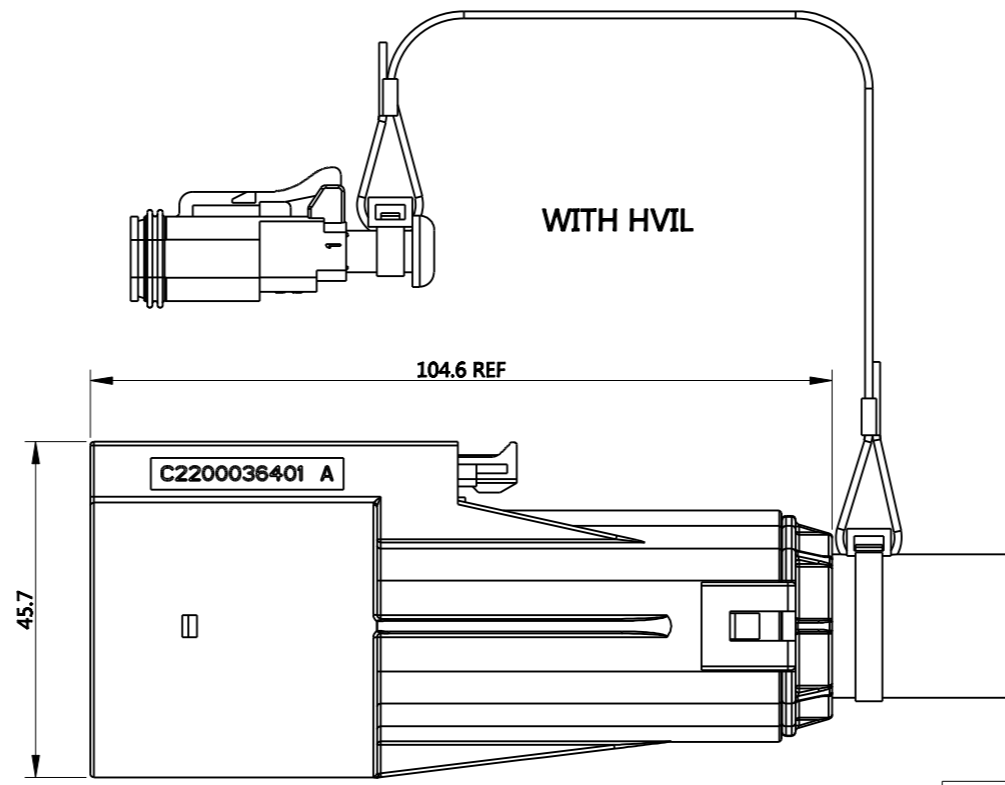
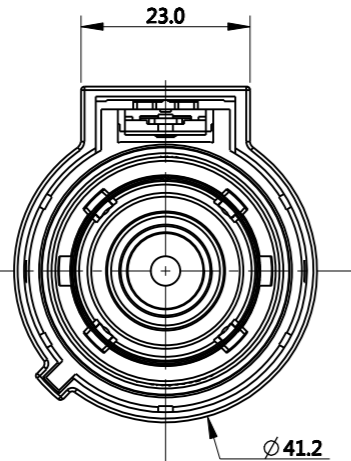


HVSL 1000 06 1 C
CODING C

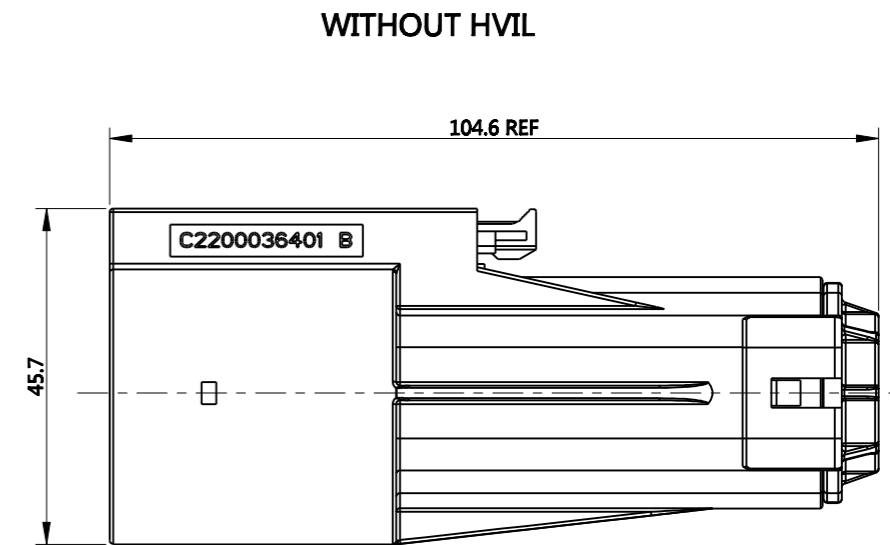


HVSL 1000 06 1 D
CODING D

Amphenol PCDSZ
ORIGINAL
PDF Format
R&D



比例 1:1



NOTES:

- MATERIAL & FINISH:
PLASTIC BODY: THERMOPLASTICS ORANGE COLOR, PA66+GF25
POWER CONTACT: COPPER ALLOY SILVER PLATED
HVIL CONTACTS: COPPER ALLOY NICKEL PLATED
SEAL RING: SI
- HVIL PIN FOR CABLE DIAMETER: 0.5mm²
- TECHNICAL DATA SHEET: APCD-TD-409
- PART NUMBER DESCRIPTION:

HVSL 1000 06 1 X X XX

A: CODING A
B: CODING B
C: CODING C
D: CODING D

0: WITHOUT HVIL
1: WITH HVIL

- 70: CROSS-SECTION 70mm²: WIRE OD=19.0 ± 0.3mm
- 50: CROSS-SECTION 50mm²: WIRE OD=16.5 ± 0.3mm
- 35: CROSS-SECTION 35mm²: WIRE OD=14.2 ± 0.3mm
- 25: CROSS-SECTION 25mm²: WIRE OD=11.9 ± 0.3mm

TECHNICAL DATA		RM
CURRENT RATE 25~70MM ² SHIELD CABLE	25mm ² :120A @AMBIENT 70° C 35mm ² :150A @AMBIENT 70° C 50mm ² :180A @AMBIENT 70° C 70mm ² :250A @AMBIENT 70° C	+
RATING VOLTAGE (OVERVOLTAGE CATEGORY II POLLUTION DEGREE 2)	1000V DC	+
OPERRATING TEMPERATURE	-40-125° C	
DIELECTRIC WITHSTANDING VOLTAGE	3000V AC	+
INSULATION RESISTANCE	100 MΩ Min	+
DURABILITY	50 CYCLES	⊙
SHIELDING	YES	
WATERPRROF (MATED CONDITION)	IP67&IP6K9K	+
PROTECTION LEVEL	IP2XB	+
AMBIENT TEMPERATURE	40~70° C	
RoHS	YES	+

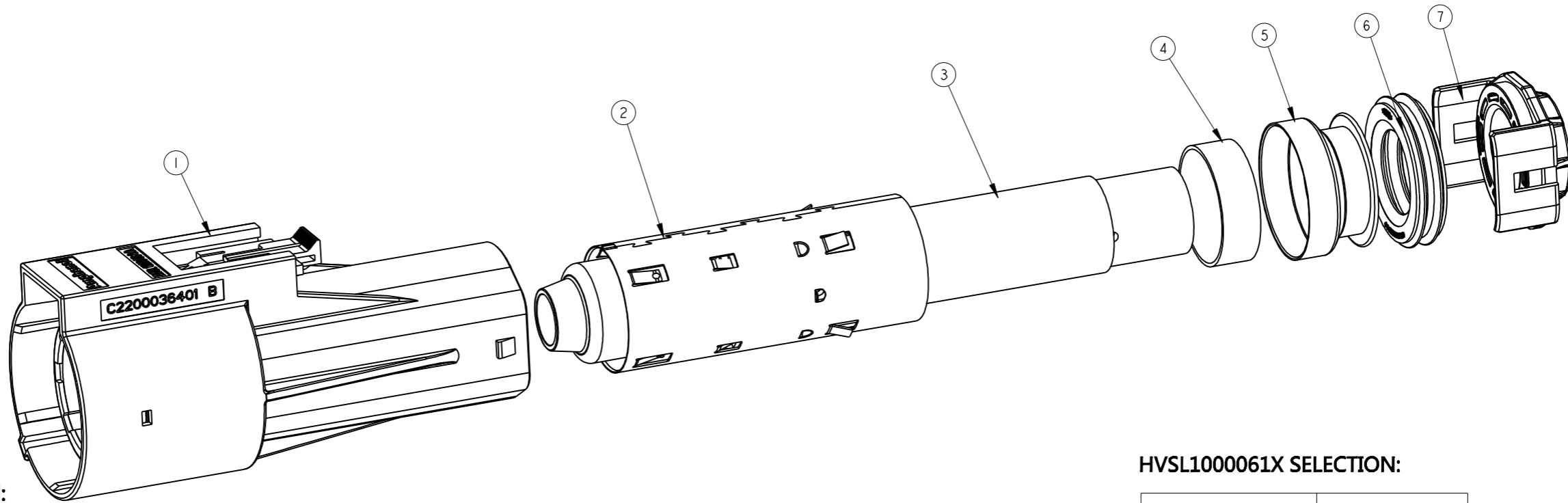
DIMENSIONS	TOLERANCES	PROJECTION	TITLE		
ANSI Y14.5M UNITS: MM Pro/E FILE	.X ±0.5 .XX ±0.05 ANGLES ±0.5°		HVSL 1000 06 1 X X XX STRAIGHT PLUG ASSEMBLY		
ORIGINAL	THIS DOCUMENT CONTAINS PROPRIETARY INFORMATION WHICH IS THE CONFIDENTIAL PROPERTY OF AMPHENOL PCD SHENZHEN		ENGR	2019.8.13	
			CHKD	APPD	SIZE A3
			CODE: 58982	SCALE: 1:1	SHEET 1 OF 3

† CRITICAL CHARACTERISTIC MARKS/关键特性符号
⊙ IMPORTANT CHARACTERISTIC MARKS/重要特性符号

C-HVSL1000061XXXX

C-HVSL1000061XXXX

Amphenol PCDSZ
ORIGINAL
PDF Format
R&D



WITHOUT INTERLOCK BOM:

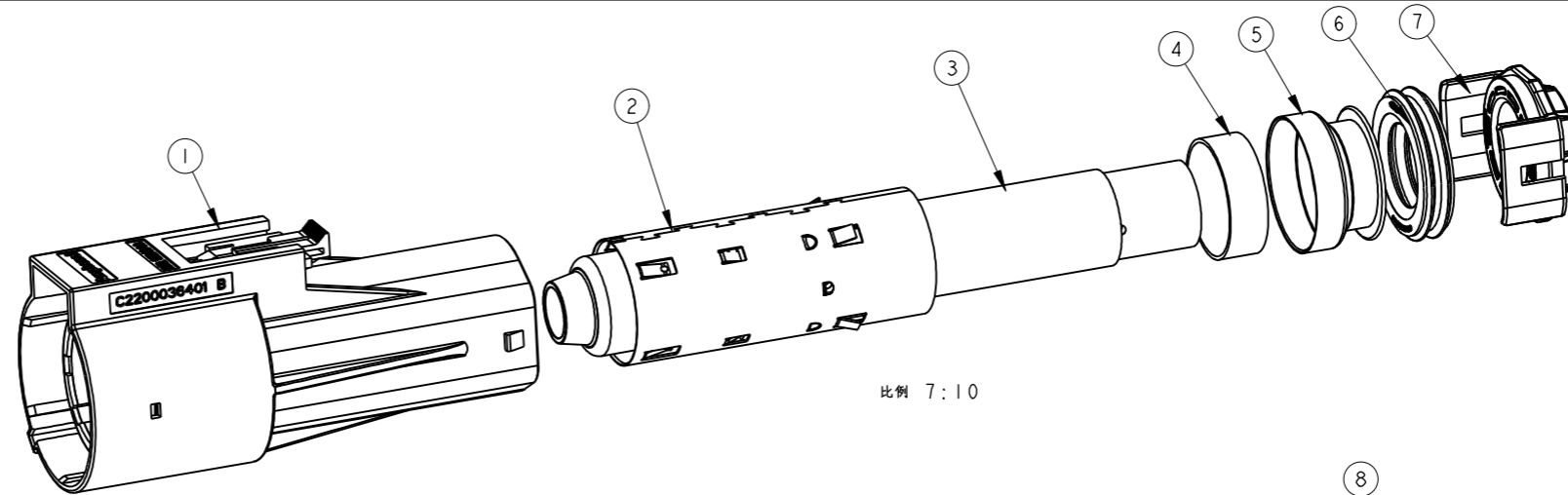
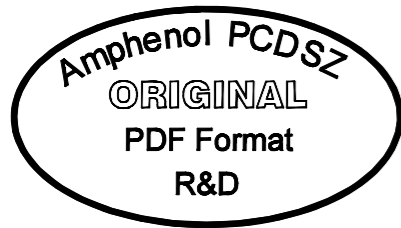
ITEM	P/N	Q'ty	REMARK	DESCRIPTION
7	C2200037254	1	70mm ²	END CAP(CABLE OD:19.0 ± 0.3mm)
	C2200037251	1	50mm ²	END CAP(CABLE OD:16.5 ± 0.3mm)
	C2200037252	1	35mm ²	END CAP(CABLE OD:14.2 ± 0.3mm)
	C2200037253	1	25mm ²	END CAP(CABLE OD:11.9 ± 0.3mm)
6	C2700036044	1	70mm ²	CABLE SEAL(CABLE OD:19.0 ± 0.3mm)
	C2700036041	1	50mm ²	CABLE SEAL(CABLE OD:16.5 ± 0.3mm)
	C2700036042	1	35mm ²	CABLE SEAL(CABLE OD:14.2 ± 0.3mm)
	C2700036043	1	25mm ²	CABLE SEAL(CABLE OD:11.9 ± 0.3mm)
5	C2000036141	1	70mm ²	OUT FERRULE(CABLE OD:19.0 ± 0.3mm)
	C2000036142	1	50mm ²	OUT FERRULE(CABLE OD:16.5 ± 0.3mm)
	C2000036143	1	35mm ²	OUT FERRULE(CABLE OD:14.2 ± 0.3mm)
	C2000036144	1	25mm ²	OUT FERRULECABLE OD:11.9 ± 0.3mm)
4	C200003617	1	ALL	INNER FERRULE
3	C4200036161	1	70mm ²	SOCKRT CONTACT BODY
	C4200036162	1	50mm ²	
	C4200036163	1	35mm ²	
	C4200036164	1	25mm ²	
2	C631003619	1	ALL	SHIELDING COMPONENT
1	HVSL1000061X	1	KEYS	MAIN BODY
ITEM	P/N	Q'ty	REMARK	DESCRIPTION

HVSL1000061 X 0 XX
"X"=A,B,C,D
"XX"=25/35/50/70

HVSL1000061X SELECTION:

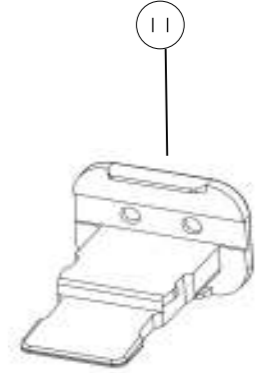
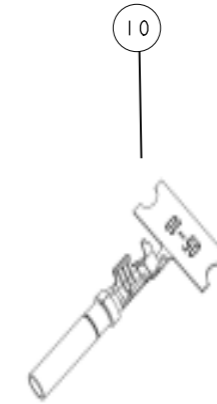
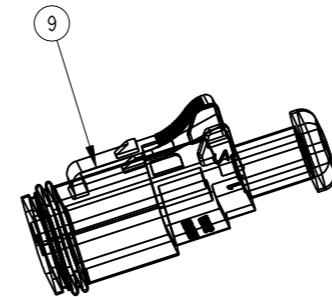
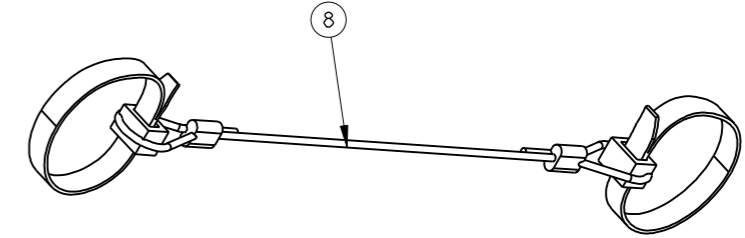
HVSL1000061A	KEY A
HVSL1000061B	KEY B
HVSL1000061C	KEY C
HVSL1000061D	KEY D

SIZE	DWG NO.	REV
A3	C-HVSL1000061XXXX	1
CODE: 58982	SCALE: 1:1	SHEET 2 OF 3



WITH INTERLOCK BOM:

HVSL1000061 X 1 XX "X"=A,B,C,D "XX"=25/35/50/70	11	AW2S	1	ALL	S-WEDGELOCK
	10	AT62160622	2	ALL	HVIL PIN
	9	AT062SSR02BLK	1	ALL	PLUG&2 WAY&SR&SEAL
	8	C210003608	1	ALL	ATTACHMENT ROPE
	7	C2200037254	1	70mm ²	END CAP(CABLE OD:19.0 ± 0.3mm)
		C2200037251	1	50mm ²	END CAP(CABLE OD:16.5 ± 0.3mm)
		C2200037252	1	35mm ²	END CAP(CABLE OD:14.2 ± 0.3mm)
		C2200037253	1	25mm ²	END CAP(CABLE OD:11.9 ± 0.3mm)
	6	C2700036044	1	70mm ²	CABLE SEAL(CABLE OD:19.0 ± 0.3mm)
		C2700036041	1	50mm ²	CABLE SEAL(CABLE OD:16.5 ± 0.3mm)
		C2700036042	1	35mm ²	CABLE SEAL(CABLE OD:14.2 ± 0.3mm)
		C2700036043	1	25mm ²	CABLE SEAL(CABLE OD:11.9 ± 0.3mm)
	5	C2000036141	1	70mm ²	OUT FERRULE(CABLE OD:19.0 ± 0.3mm)
		C2000036142	1	50mm ²	OUT FERRULE(CABLE OD:16.5 ± 0.3mm)
		C2000036143	1	35mm ²	OUT FERRULE(CABLE OD:14.2 ± 0.3mm)
		C2000036144	1	25mm ²	OUT FERRULE(CABLE OD:11.9 ± 0.3mm)
	4	C200003617	1	ALL	INNER FERRULE
	3	C4200036161	1	70mm ²	SOCKRT CONTACT BODY
		C4200036162	1	50mm ²	
		C4200036163	1	35mm ²	
		C4200036164	1	25mm ²	
2	C631003619	1	ALL	SHIELDING COMPONENT	
1	HVSL1000061X	1	KEYS	MAIN BODY	
ITEM	P/N	Q'ty	REMARK	DESCRIPTION	



HVSL1000061X SELECTION:

HVSL1000061A	KEY A
HVSL1000061B	KEY B
HVSL1000061C	KEY C
HVSL1000061D	KEY D

SIZE A3	DWG NO. C-HVSL1000061XXXX	REV 1
CODE: 58982	SCALE: 1:1	SHEET 3 OF 3