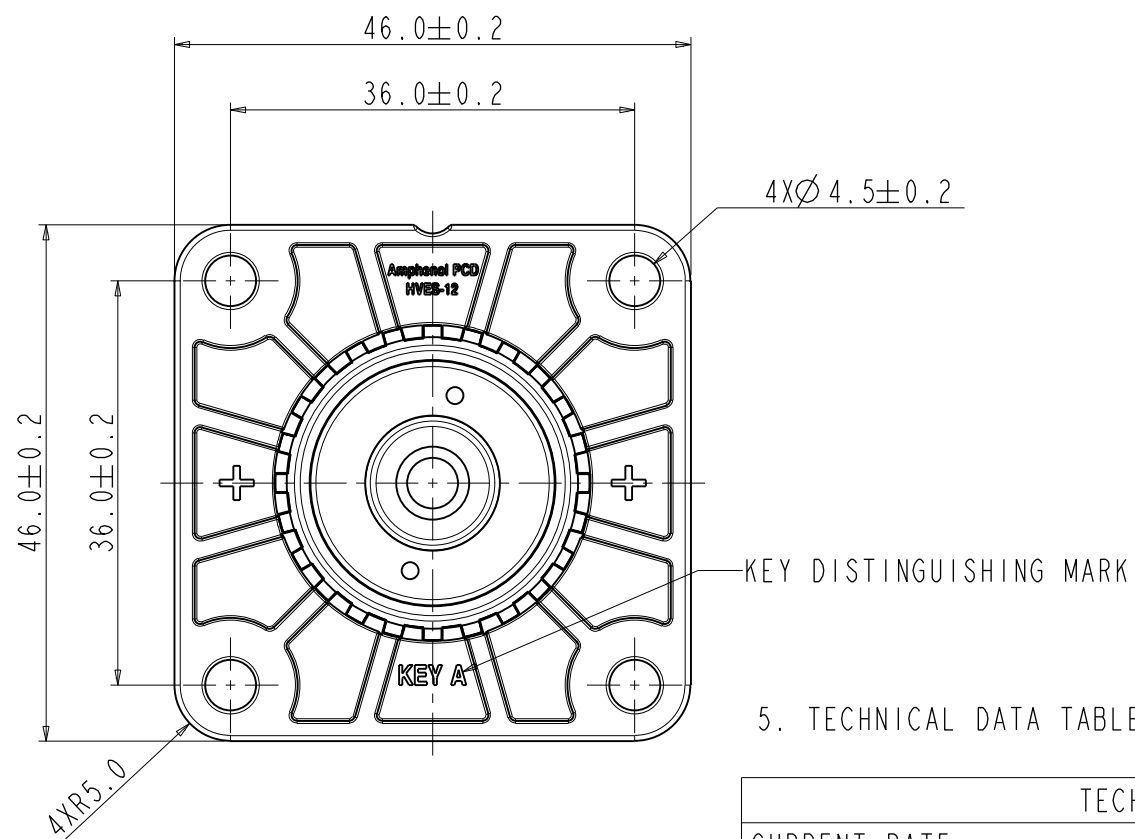
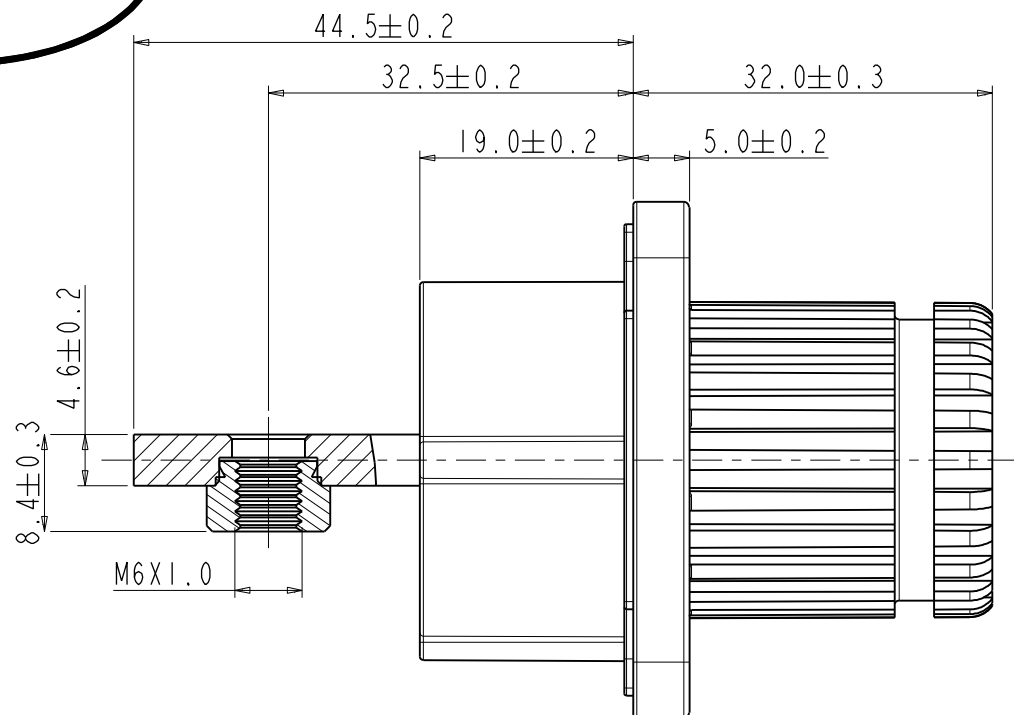


REV	ECN	DESCRIPTION	DATE	MODIFIED
1		PRE-RELEASE	Jul-26-2024	

Amphenol PCDSZ  
ORIGINAL  
PDF Format  
R&D



5. TECHNICAL DATA TABLE

TECHNICAL DATA		
CURRENT RATE (120MM <sup>2</sup> UNSHIELD CABLE)	400A @ AMBIENT 70°C	+
CURRENT RATE (4/0 AWG UNSHIELD CABLE)	360A @ AMBIENT 70°C	+
CURRENT RATE (95MM <sup>2</sup> UNSHIELD CABLE)	300A @ AMBIENT 70°C	+
RATING VOLTAGE (OVERVOLTAGE CATEGORY II POLLUTION DEGREE 2)	1500V DC	
OPERATING TEMPERATURE	-40~125°C	
DIELECTRIC WITHSTANDING VOLTAGE	4000V AC(RMS)	+
INSULATION RESISTANCE	200MΩ MIN.@25°C	+
DURABILITY	50 CYCLES	◎
WATERPROOF (MATED CONDITION)	IP67, IP6K9K	+
PROTECTION LEVEL (UNMATED)	IP2XB	+
AMBIENT TEMPERATURE	-40~70°C	
RoHS&REACH	YES	+

安费诺精密连接器(深圳)有限公司  
Amphenol PCD Shenzhen

受控文件

2024年8月29日

4. PART NUMBERING SCHEME:

HVES 12 02 1 X S02

01: COPPER BAR(M6X1.0)

CODE	KEY X	COLOR
A	KEY A	ORANGE
B	KEY B	BLACK

✦ : CRITICAL CHARACTERISTICS / 关键特性

◎ : IMPORTANT CHARACTERISTICS / 重要特性

NOTES:

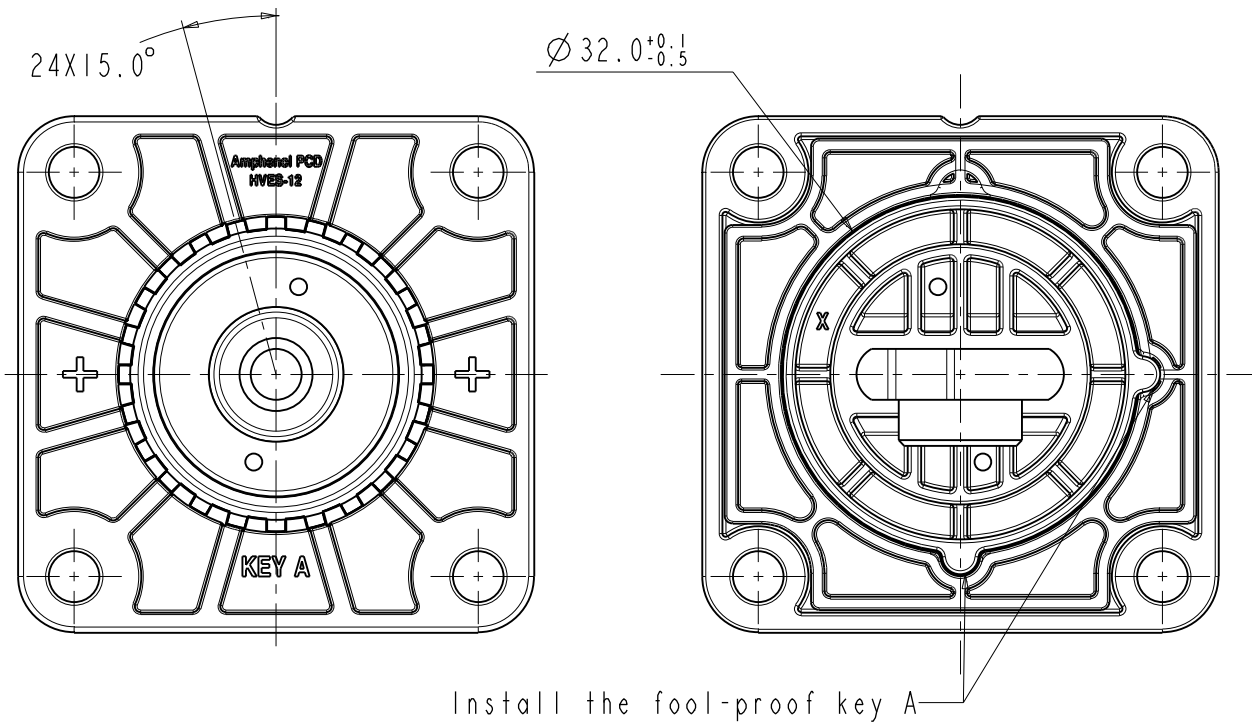
1. MATERIAL & FINISH:

- PLASTIC BODY: THERMOPLASTICS
- POWER CONTACT: COPPER ALLOY SILVER
- SEAL RING: SR

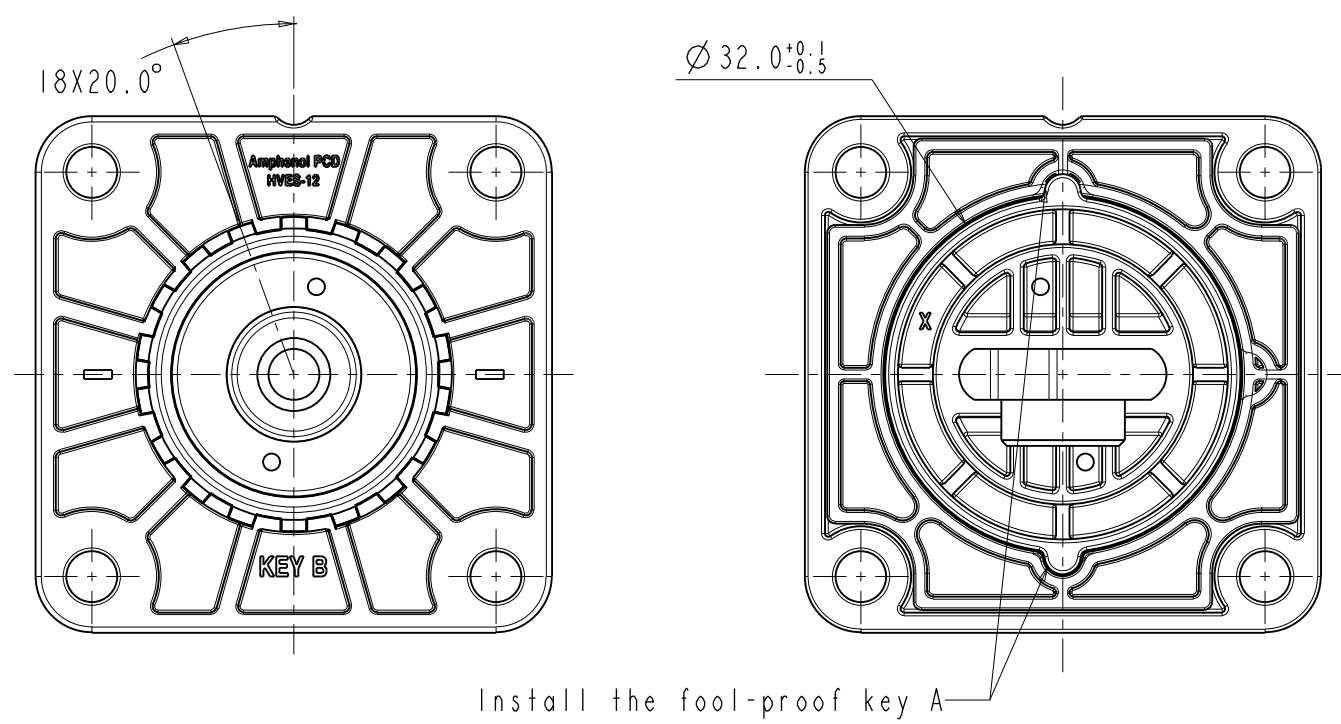
2. THE FLANGE IS LOCKED WITH M5 BOLTS, AND THE LOCKING TORQUE IS 5.9N.M±10% (REFERENCE STANDARD: DIN-EN20273)

3. THE COPPER BAR IS LOCKED WITH M6 BOLTS, AND THE LOCKING TORQUE IS 5.3N.M±10% (REFERENCE STANDARD: NFF 61-017)

DIMENSIONS	TOLERANCES	PROJECTION	TITLE		
ANSI Y14.5M UNITS: MM Pro/E FILE	.X ±0.5 .XX ±0.05 ANGLES ±2°		<b>HVES 12 02 1 X S02 RECEPTACLE ASSEMBLY</b>		
ORIGINAL	THIS DOCUMENT CONTAINS PROPRIETARY INFORMATION WHICH IS THE CONFIDENTIAL PROPERTY OF Amphenol PCD Shenzhen Co. Ltd. Amphenol PCD Shenzhen Co. Ltd RESERVES THE RIGHT TO CLARIFY THIS DRAWING				
			ENGR	APPD	Jul-26-2024 SIZE <b>A3</b> DWG NO. <b>C-HVES12021XS02</b> REV <b>1</b>
			SCALE: 1:1 SHEET 1 OF 3		

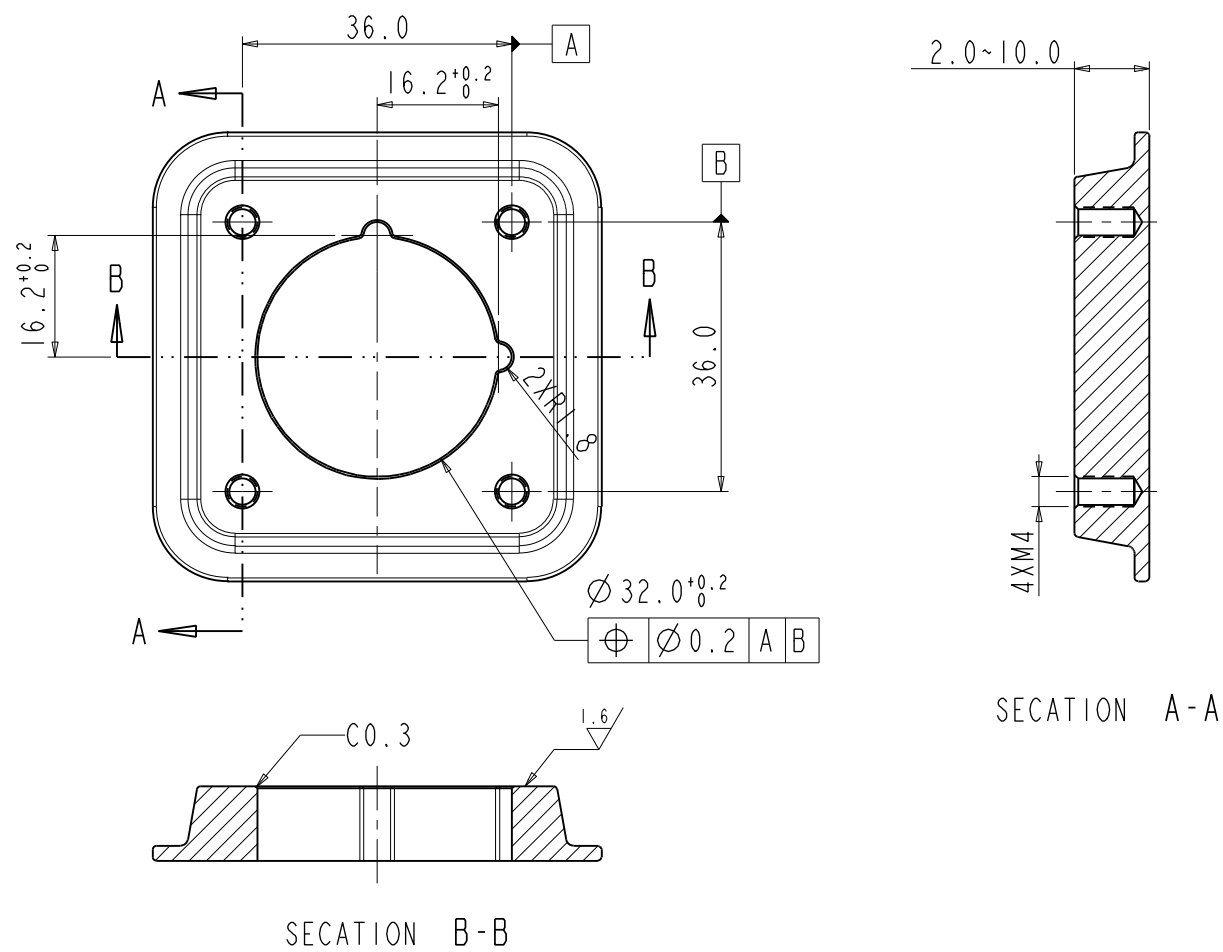


KEY A

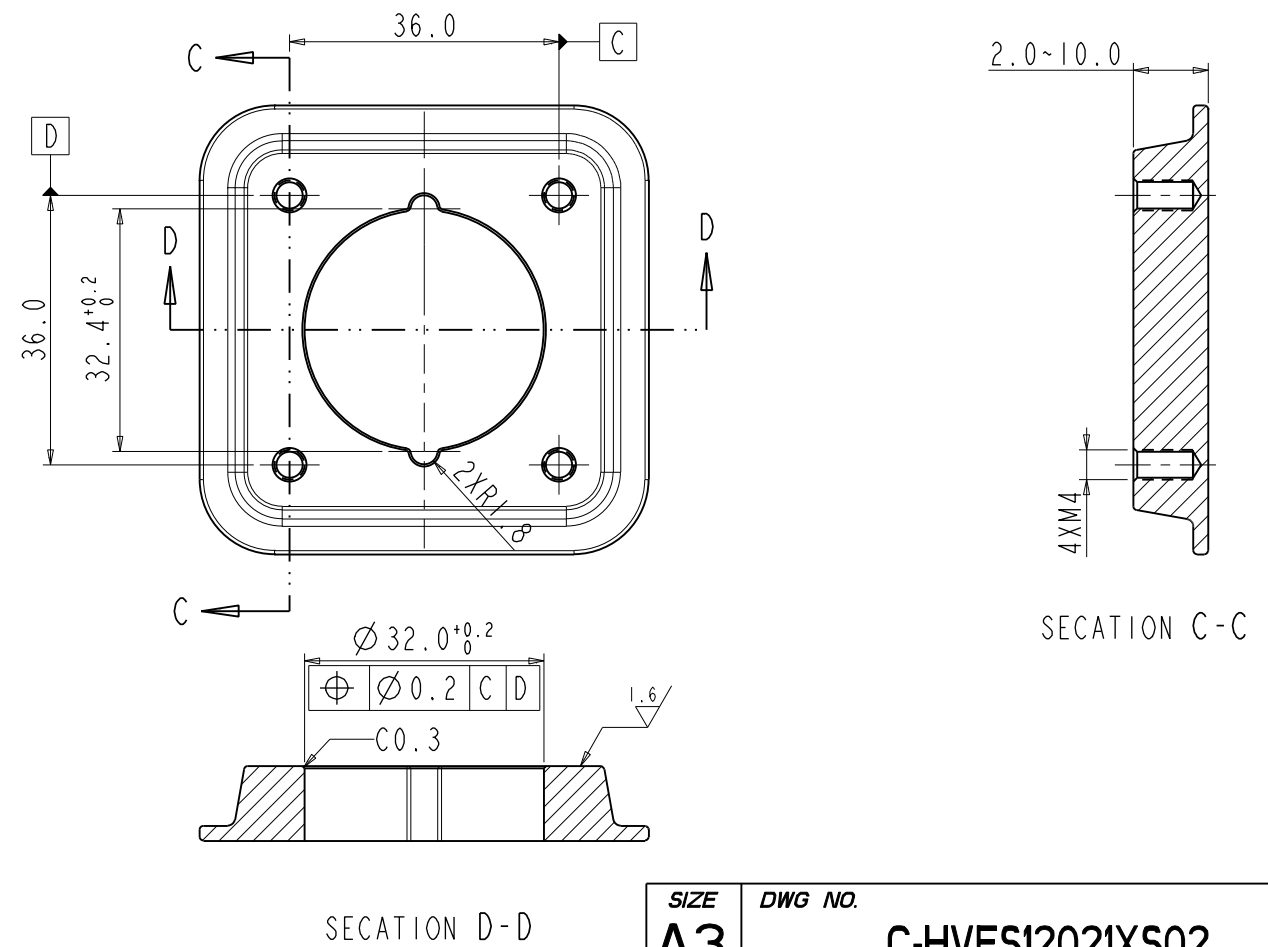


KEY B

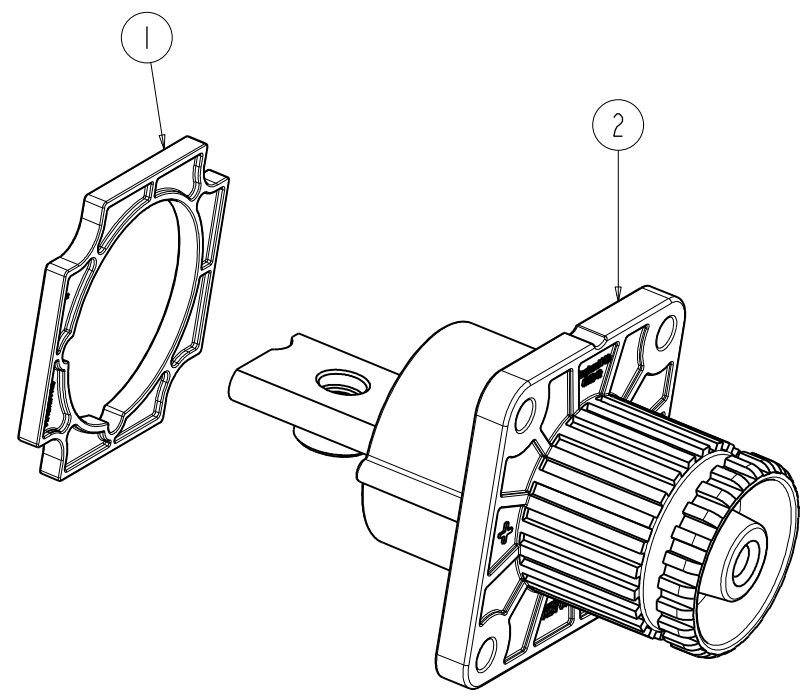
KEY A RECOMMENDED MOUNTING PLATE



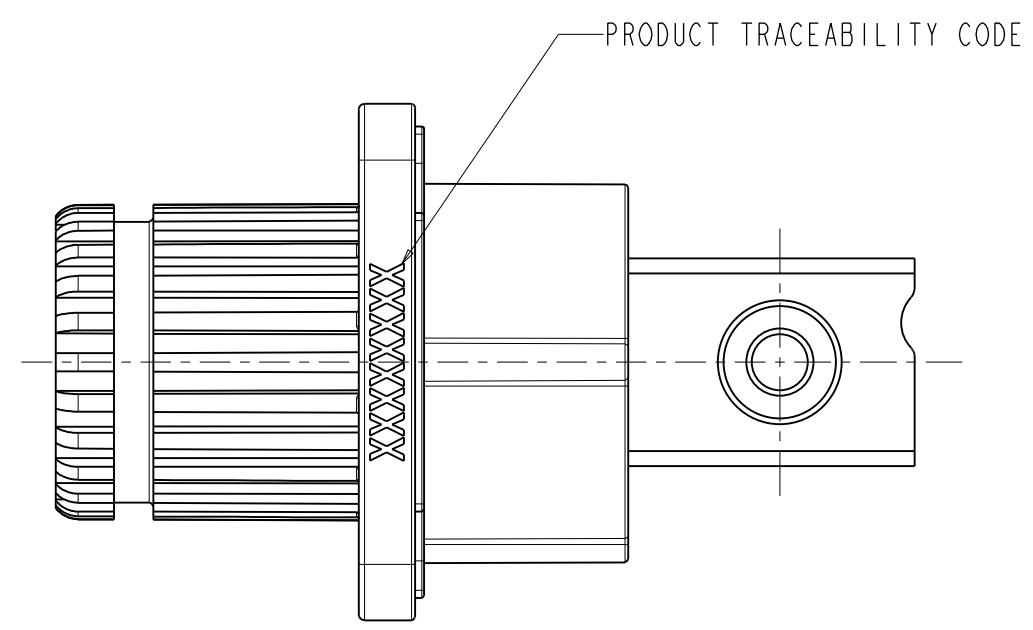
KEY B RECOMMENDED MOUNTING PLATE



SIZE <b>A3</b>	DWG NO. <b>C-HVES12021XS02</b>	REV <b>1</b>
SCALE: 1:1		SHEET 2 OF 3



2	P02B00078002	RECEPTACLE COMPONENT KEY B	1
	P02B00078001	RECEPTACLE COMPONENT KEY A	1
1	P01BR01186	RECEPTACLE SEAL KEY B	1
	P01BR01185	RECEPTACLE SEAL KEY A	1
ITEM	COMPONENT P/N	DESCRIPTION	Q'TY



比例 3:2

C-HVES12021XS02

C-HVES12021XS02