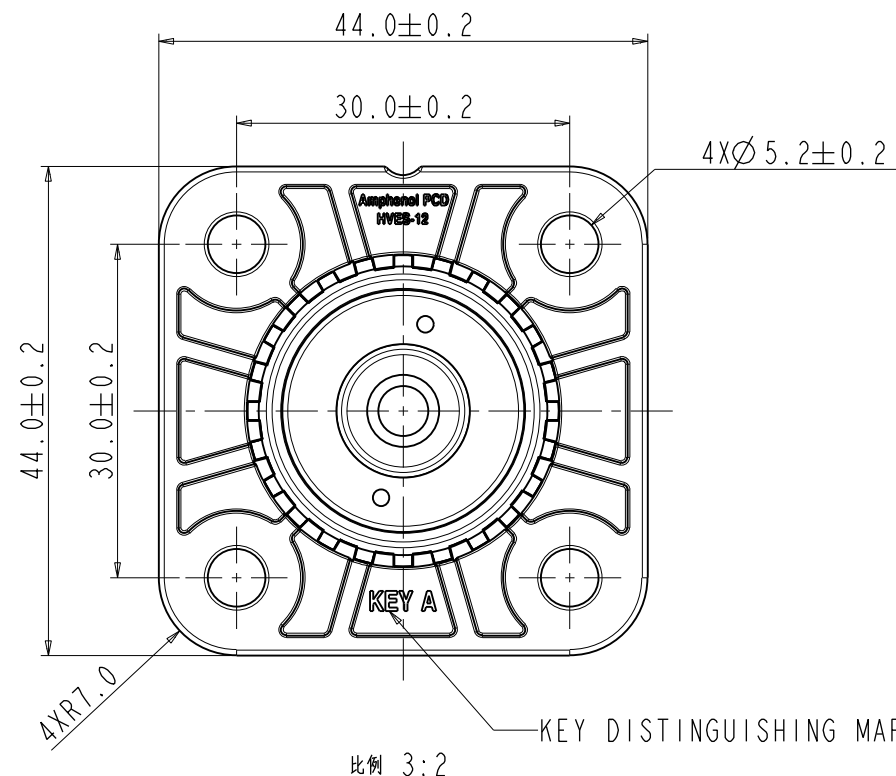
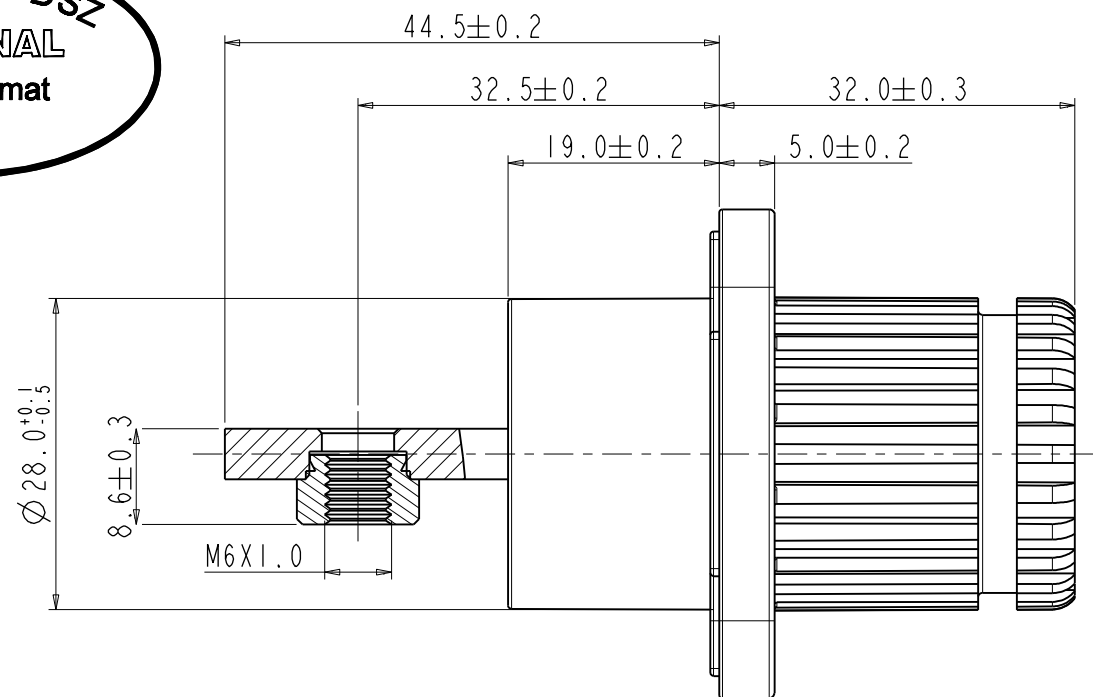


REV	ECN	DESCRIPTION	DATE	MODIFIED
1		PRE-RELEASE	Jul-16-2024	

Amphenol PCDSZ
ORIGINAL
PDF Format
R&D



安费诺精密连接器(深圳)有限公司
Amphenol PCD Shenzhen
受控文件
2024年8月8日

5. TECHNICAL DATA TABLE

TECHNICAL DATA		
CURRENT RATE (120MM ² UNSHIELD CABLE)	400A @ AMBIENT 70°C	+
CURRENT RATE (MEETS UL4128) (120MM ² UNSHIELD CABLE)	360A @ AMBIENT 70°C	+
CURRENT RATE (95MM ² UNSHIELD CABLE)	300A @ AMBIENT 70°C	+
RATING VOLTAGE (OVERVOLTAGE CATEGORY II POLLUTION DEGREE 2)	1500V DC	
OPERATING TEMPERATURE	-40~125°C	
DIELECTRIC WITHSTANDING VOLTAGE	4000V AC(RMS)	+
INSULATION RESISTANCE	200MΩ MIN. @25°C	+
DURABILITY	50 CYCLES	◎
WATERPROOF (MATED CONDITION)	IP67, IP6K9K	+
PROTECTION LEVEL (UNMATED)	IP2XB	+
AMBIENT TEMPERATURE	-40~70°C	
RoHS&REACH	YES	+

4. PART NUMBERING SCHEME:
HVES 12 02 1 X S01

CODE	KEY X	COLOR
A	KEY A	ORANGE
B	KEY B	BLACK

01: COPPER BAR (M6X1.0)

✦ : CRITICAL CHARACTERISTICS / 关键特性

◎ : IMPORTANT CHARACTERISTICS / 重要特性

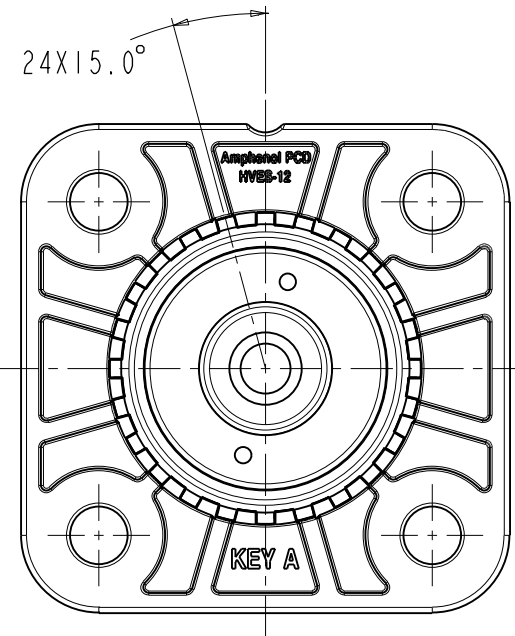
NOTES:

- MATERIAL & FINISH:
PLASTIC BODY: THERMOPLASTICS
POWER CONTACT: COPPER ALLOY SILVER
SEAL RING: SR
- THE FLANGE IS LOCKED WITH M5 BOLTS, AND THE LOCKING TORQUE IS 5.9N.M (REFERENCE STANDARD: DIN-EN20273)
- THE COPPER BAR IS LOCKED WITH M6 BOLTS, AND THE LOCKING TORQUE IS 5.3N.M (REFERENCE STANDARD: NFF 61-017)

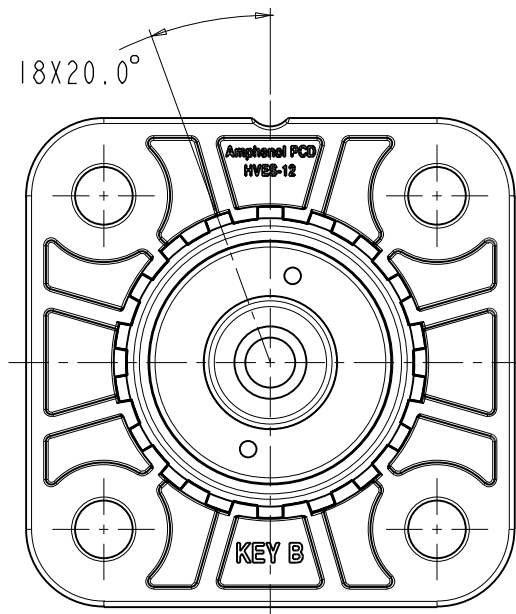
DIMENSIONS	TOLERANCES	PROJECTION	TITLE		
ANSI Y14.5M UNITS: MM Pro/E FILE	X ±0.5 XX ±0.05 ANGLES ±2°		RECEPTACLE ASSEMBLY		
ORIGINAL	THIS DOCUMENT CONTAINS PROPRIETARY INFORMATION WHICH IS THE CONFIDENTIAL PROPERTY OF Amphenol PCD Shenzhen Co. Ltd Amphenol PCD Shenzhen Co. Ltd RESERVES THE RIGHT TO CLARIFY THIS DRAWING	ENGR Jul-16-2024			
			SCALE: 1:1 SHEET 1 OF 2		

C-HVES12021XS01

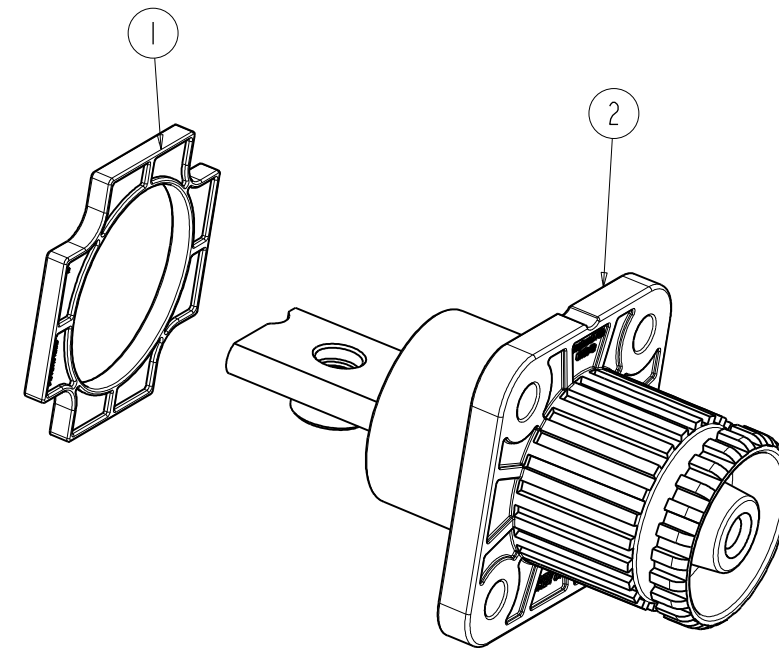
C-HVES12021XS01



KEY A

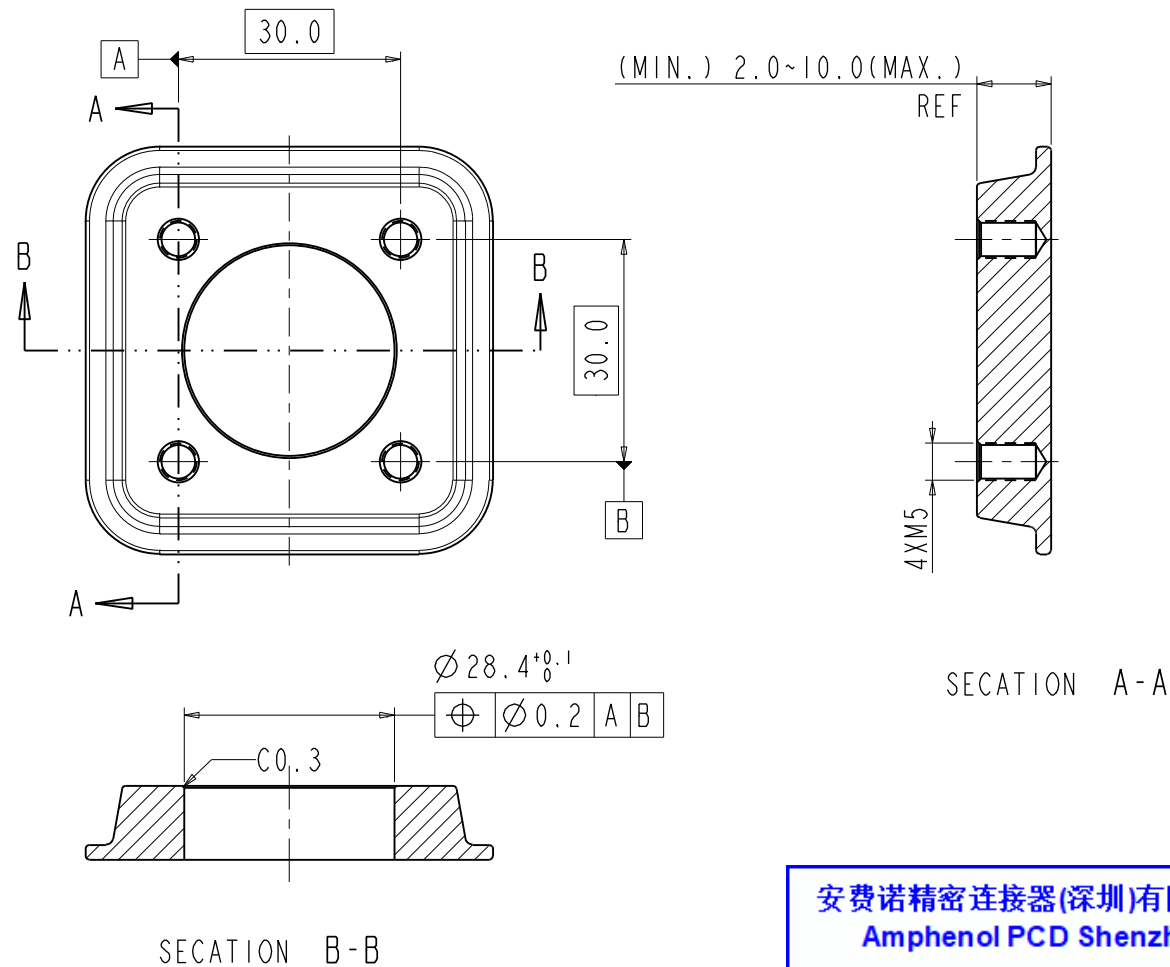


KEY B



ITEM	COMPONENT P/N	DESCRIPTION	Q'TY
2	P02B00066002	RECEPTACLE COMPONENT KEY B	1
	P02B00066001	RECEPTACLE COMPONENT KEY A	1
1	P01BR01052	RECEPTACLE SEAL	1

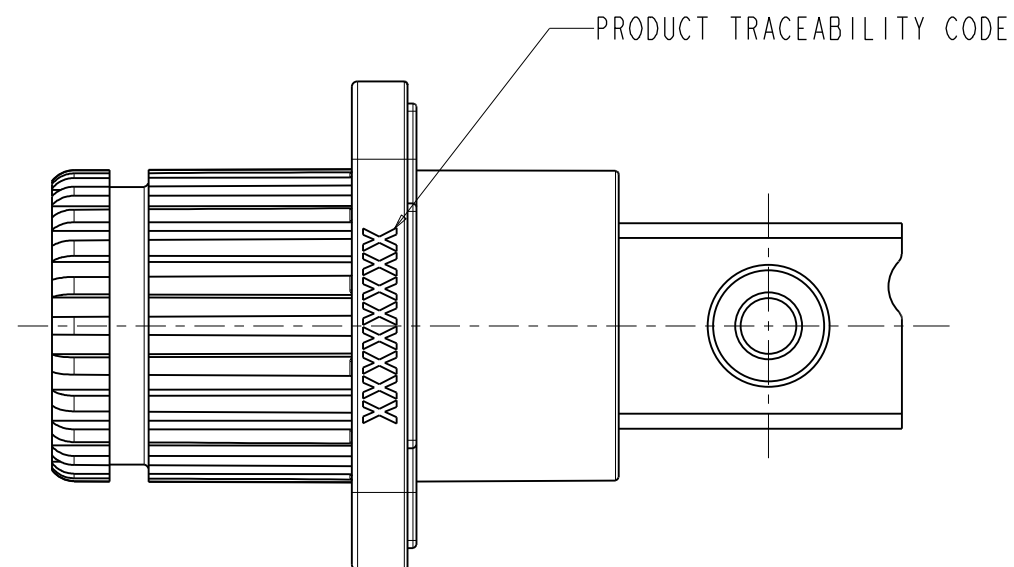
RECOMMENDED MOUNTING PLATE



安费诺精密连接器(深圳)有限公司
Amphenol PCD Shenzhen

受控文件

2024年8月8日



SIZE	DWG NO.	REV
A3	C-HVES12021XS01	1
SCALE: 1:1		SHEET 2 OF 2