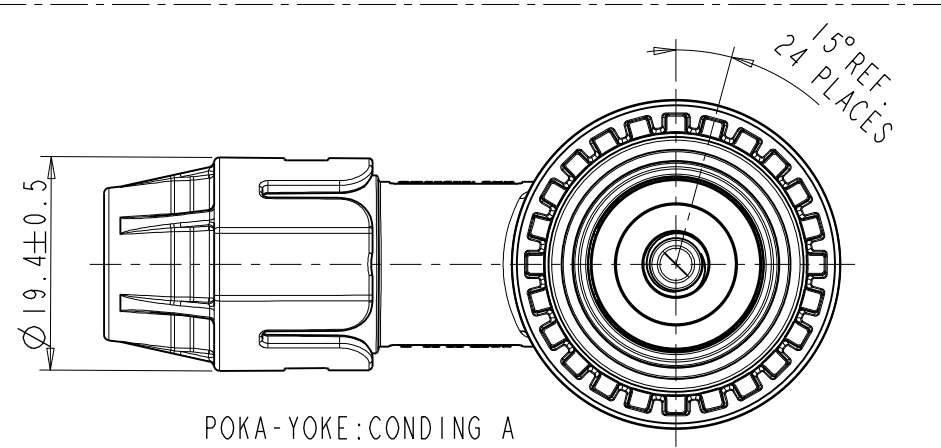


C-HVES0608XS01

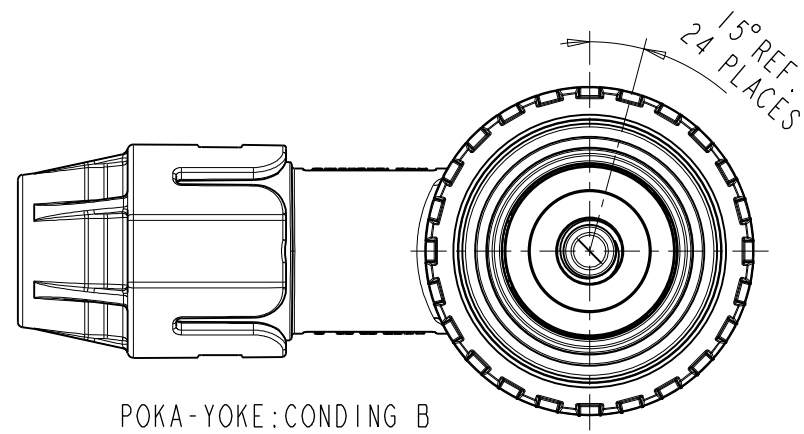
安费诺精密连接器(深圳)有限公司
Amphenol PCD Shenzhen
受控文件
2024年1月9日

REV	ECN	DESCRIPTION	DATE	MODIFIED
1		RELEASE	Nov-20-2023	
2	R7478W	Adjust the length of the cap.	Dec-01-2023	

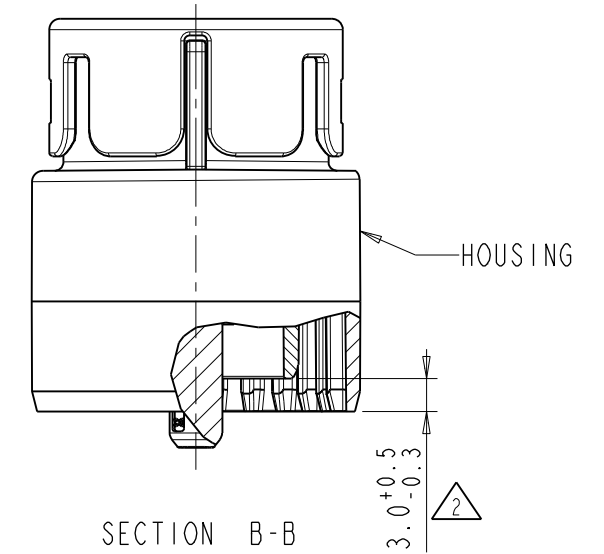
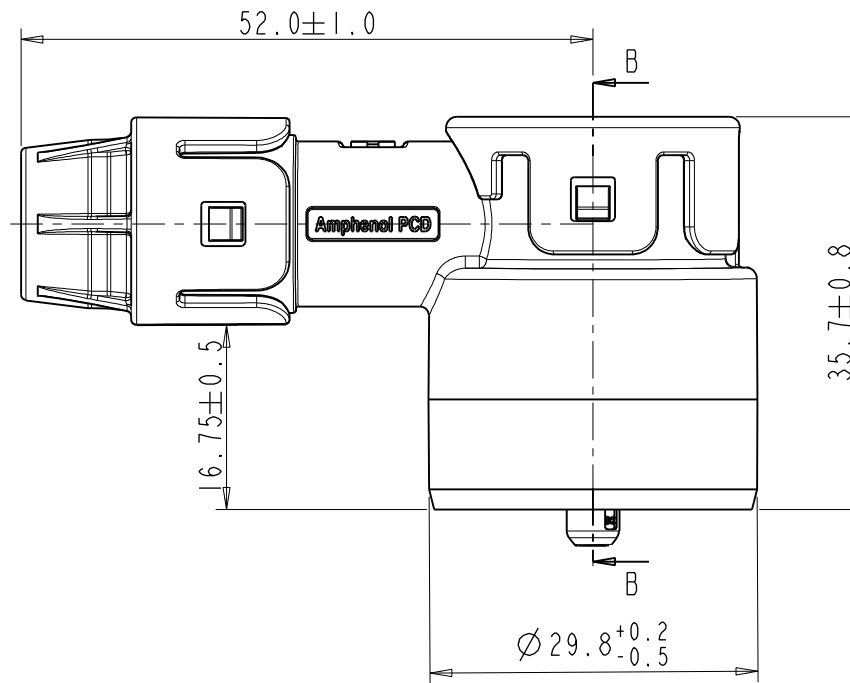
Amphenol PCDSZ
ORIGINAL
PDF Format
R&D



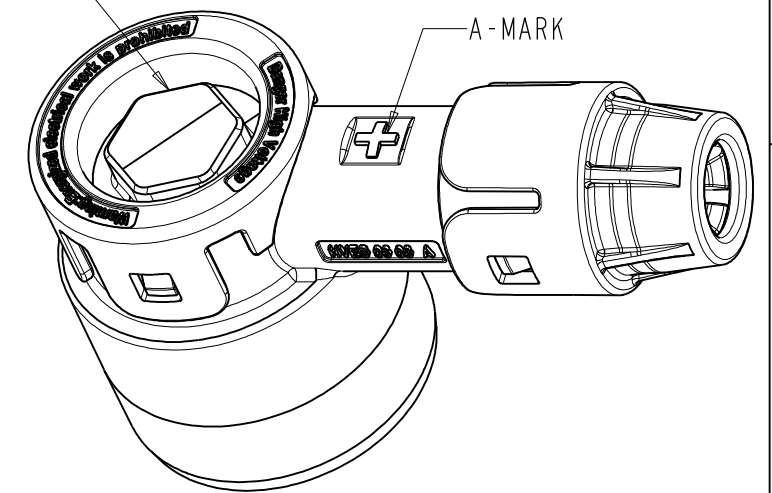
POKA-YOKE:CONDING A



POKA-YOKE:CONDING B



M6 TORQUE:
5.3±10% N.m



NOTES:
1. MATERIAL:
HOUSING:PA66
CONTACT:COPPER WITH TIN PLATED

HOW TO ORDER:

HVES0608 X S01

S01: 4AWG CABLE, OD=8.2±0.3mm

CODE	DESCRIPTION	COLOUR	A-MARK
A	CONDING A	ORANGE(HOUSING)	" + "
B	CONDING B	BLACK(HOUSING)	" - "

TECHNICAL DATA TABLE

TECHNICAL DATA		
CURRENT RATING (4AWG CABLE)	120A @ AMBIENT 70°C	+
RATING VOLTAGE (OVERVOLTAGE CATEGORY II POLLUTION DEGREE 2)	1000V DC	+
OPERATING TEMPERATURE	-40~125°C	
DIELECTRIC WITHSTANDING VOLTAGE	3000V AC(RMS)	+
INSULATION RESISTANCE	200MΩ MIN.@25°C NO CABLE	+
DURABILITY	50 CYCLES	⊙
WATERPROOF (MATED CONDITION)	IP67	+
IP2XB	YES	+
AMBIENT TEMPERATURE	-40~70°C	
RoHS & REACH	YES	+

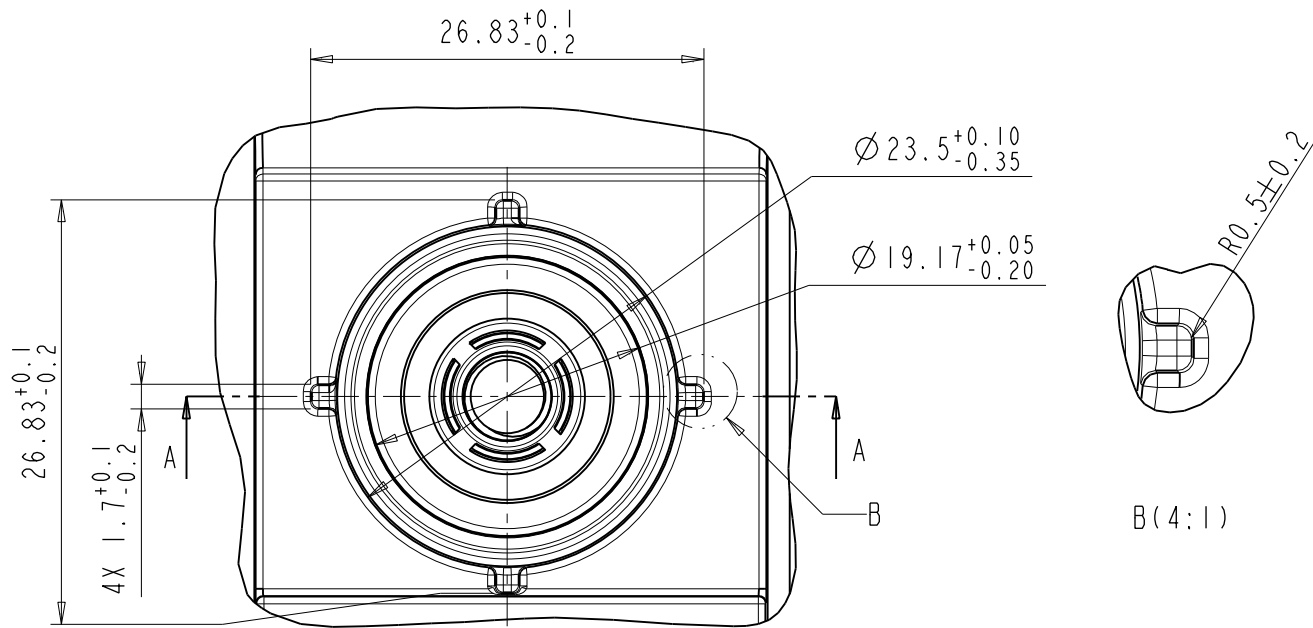
"+" CRITICAL CHARACTERISTICS
"⊙" IMPORTANT CHARACTERISTICS

DIMENSIONS	TOLERANCES	PROJECTION	TITLE		
ANSI Y14.5M UNITS: MM Pro/E FILE	.X ±0.5 .XX ±0.05 ANGLES ±2°		Amphenol PCD Shenzhen		
			ENGR Sep-05-2023		
ORIGINAL	THIS DOCUMENT CONTAINS PROPRIETARY INFORMATION WHICH IS THE CONFIDENTIAL PROPERTY OF Amphenol PCD Shenzhen Co. Ltd Amphenol PCD Shenzhen Co. Ltd RESERVES THE RIGHT TO CLARIFY THIS DRAWING	CHKD	SIZE	DWG NO.	REV
		APPD	A3	C-HVES0608XS01	2
			SCALE: 3:2		SHEET 1 OF 2

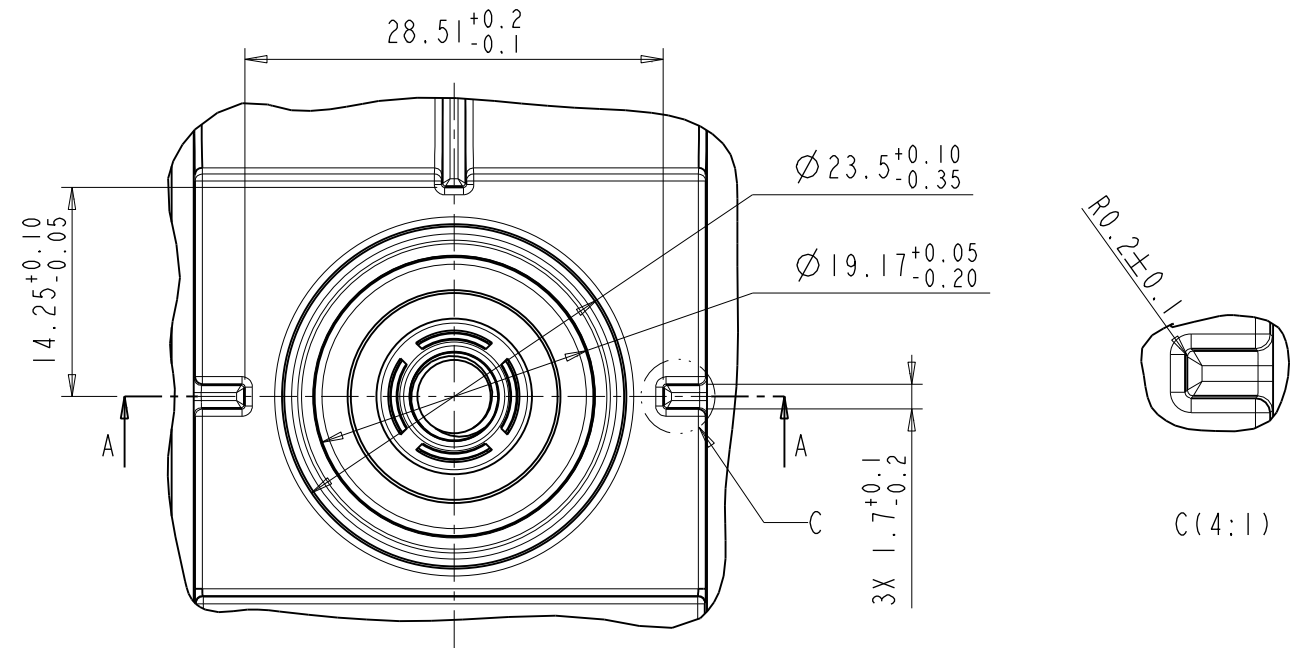
C-HVES0608XS01

C-HVES0608XS01

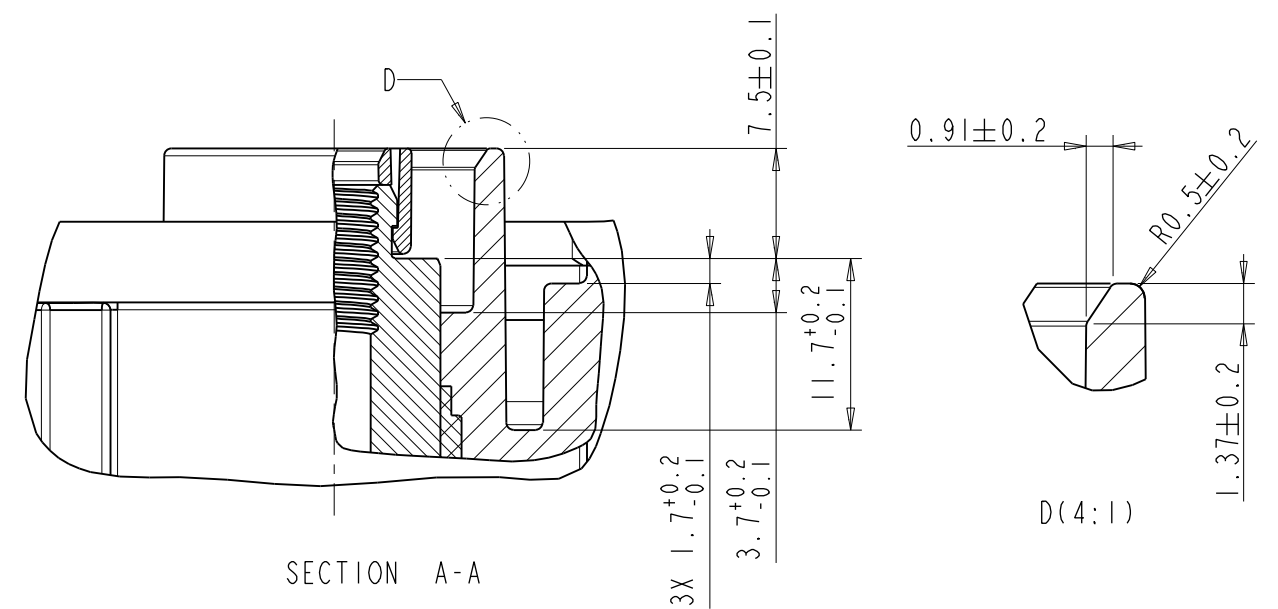
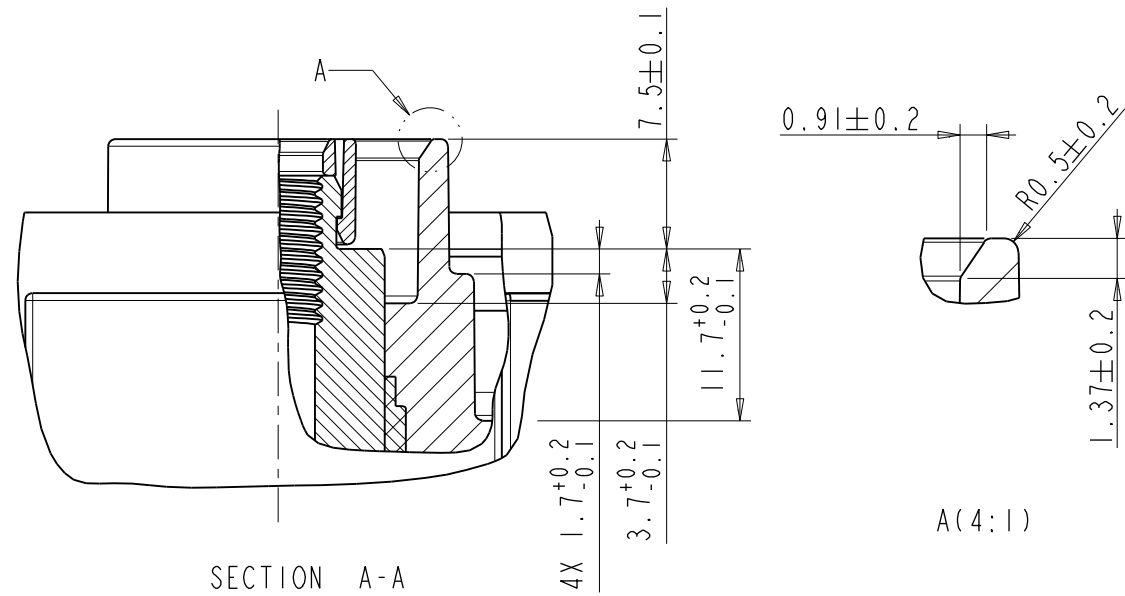
RECOMMENDED POS+ SOCKET SIZE



RECOMMENDED NEG- SOCKET SIZE



C-HVES0608XS01



C-HVES0608XS01

SIZE	DWG NO.	REV
A3	C-HVES0608XS01	2
SCALE: 3:2		SHEET 2 OF 2