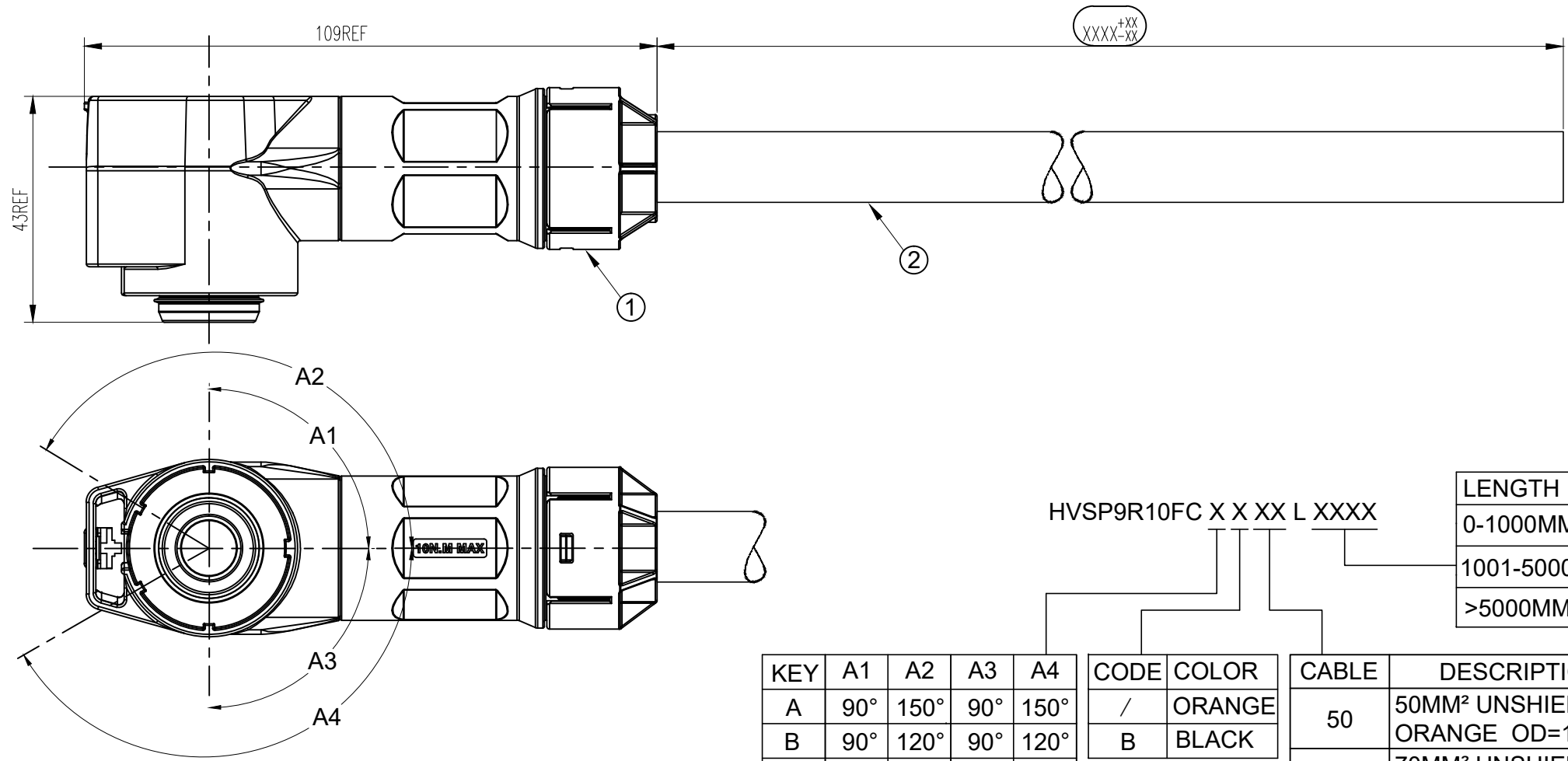


Amphenol PCDSZ  
ORIGINAL  
PDF Format  
R&D

REV	ECN	DESCRIPTION	DATE	MODIFIED
1		PRE-RELEASE	2019.03.07	



HVSP9R10FC X X XX L XXXX

LENGTH	TOLERANCE
0-1000MM	+25 -10
1001-5000MM	+40 -10
>5000MM	+50 -20

KEY	A1	A2	A3	A4
A	90°	150°	90°	150°
B	90°	120°	90°	120°
C	120°	150°	120°	150°
D	120°	150°	90°	150°
E	90°	150°	120°	150°

CODE	COLOR
/	ORANGE
B	BLACK

CABLE	DESCRIPTION
50	50MM <sup>2</sup> UNSHIELDING ORANGE OD=13.5±0.25
70	70MM <sup>2</sup> UNSHIELDING ORANGE OD=16.8±0.3

\*Notes:

- 1.Cable assembly data:
  - ★ Rated Voltage:1000V DC
  - ★ Rated Current:
    - 50MM<sup>2</sup> Cable 180A MAX
    - 70MM<sup>2</sup> Cable 250A MAX
  - Operating Temperature:-40°C ~ +125°C
  - ★ Insulation Resistance:100MΩ Min
  - ★ Withstand Voltage:3000V/AC r.m.s
  - ★ IP-Class: IP67 (Mated)
  - ◎ Mating Cycles: ≥50 Times
  - ★ Rohs Compliance
  - Ambient Temperature: -40°C ~ +70°C

②	CABLE	UNSHIELDING ORANGE (SEE THE TABLE ABOVE)	AR	M
①	CONNECTOR	HVSP9R10FCXXXXL0000	1	EA
ITEM	NAME	DESCRIPTION	QTY	UNIT

DIMENSIONS	TOLERANCES	PROJECTION	TITLE	
ANSI Y14.5M UNITS: MM CAD FILE	.X ±0.5 .XX ±0.3 ANGLES ±2°		Amphenol Pcd Shenzhen	
ORIGINAL		CHKD	SIZE A3	DWG NO. C-HVSP9R10FCXXXXLXXXX
THIS DOCUMENT CONTAINS PROPRIETARY INFORMATION WHICH IS THE CONFIDENTIAL PROPERTY OF AMPHENOL PCD SHENZHEN		ENGR	2019.03.07	REV 1
		APPD	CODE:	SCALE
			SHEET	1 OF 1