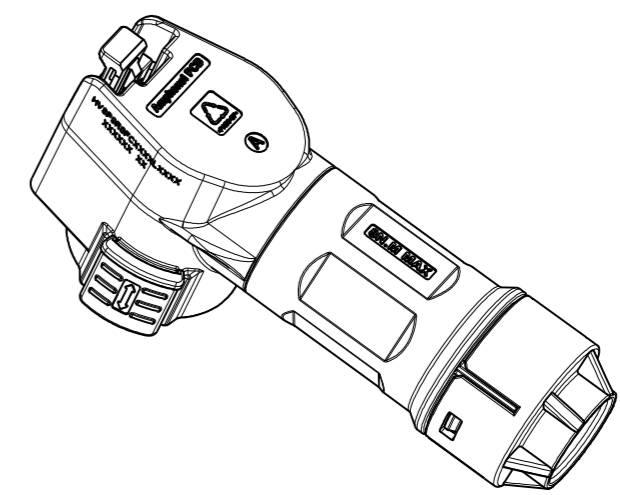
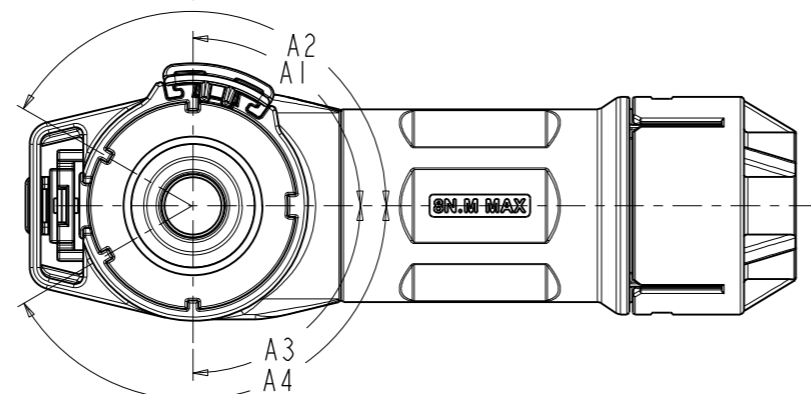
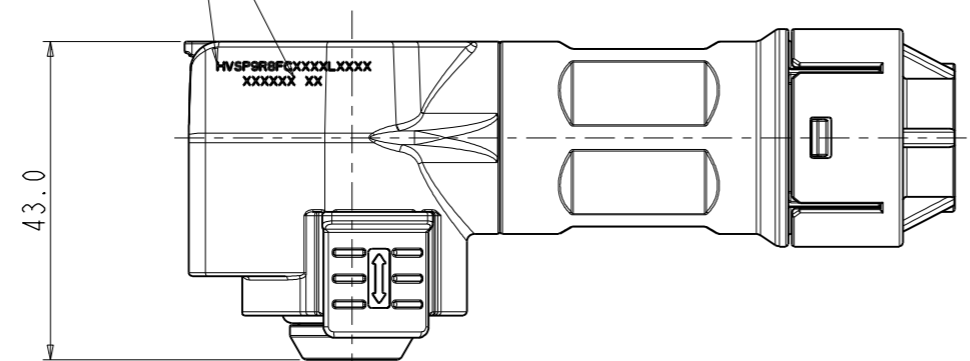
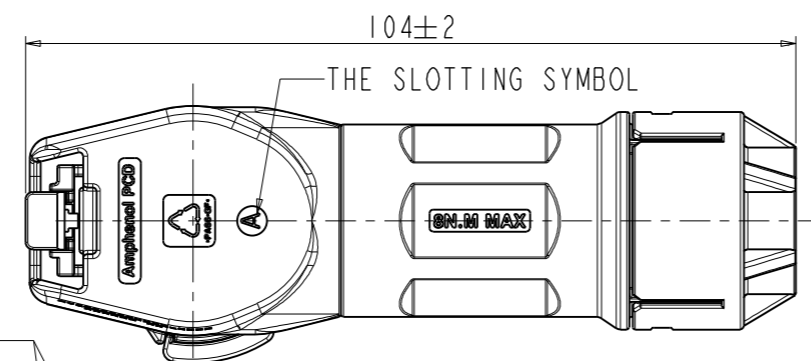
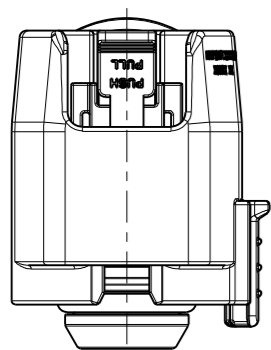


C-HVSP9R8FCXXXL0000

REV	ECN	DESCRIPTION	DATE	MODIFIED
1		FIRST RELEASE	Otc-16-2019	
2	C5607N	UPGRADE THE RATING VOLTAGE	Jun-27-2022	

ORIGINAL
PDF Format
R&D

PRINTING CONTENT:
P/N
TRACEABILITY CODE



HVSP 9R8 FC X X XX L 0000

KEY	A1	A2	A3	A4
A	90°	150°	90°	150°
B	90°	120°	90°	120°
C	120°	150°	120°	150°
D	120°	150°	90°	150°
E	90°	150°	120°	150°

CODE	COLOR
/	ORANGE
B	BLACK

CABLE	DESCRIPTION
35	35MM2 UNSHIELDING ORANGE OD=11.75±0.75
50	50MM2 UNSHIELDING ORANGE OD=13.75±0.75

C-HVSP9R8FCXXXL0000

C-HVSP9R8FCXXXL0000

TECHNICAL DATA		REMARK
CURRENT RATE(50MM^2 CABLE)	UP TO 180A	+
CURRENT RATE(35MM^2 CABLE)	UP TO 150A	+
RATING VOLTAGE (OVERVOLTAGE CATEGORY II POLLUTION DEGREE 2)	1500V DC	+ △2
OPERATING TEMPERATURE	-40~125°C	
DIELECTRIC WITHSTANDING VOLTAGE	4000V AC(RMS)	+ △2
INSULATION RESISTANCE	200MΩ MIN. @25°C	+
DURABILITY	50 CYCLES	◎
SHIELDING	NO	
WATERPROOF(MATED CONDITION)	IP 67	+
AMBIENT TEMPERATURE	-40~70°C	
PROTECTION LEVEL	IP2XB	+
RoHS&REACH	YES	+

DIMENSIONS	TOLERANCES	PROJECTION
ANSI Y14.5M	X ±0.5	
UNITS: MM	XX ±0.05	
Pro/E FILE	ANGLES ±2°	
ORIGINAL	THIS DOCUMENT CONTAINS PROPRIETARY INFORMATION WHICH IS THE CONFIDENTIAL PROPERTY OF Amphenol PCD Shenzhen Co. Ltd Amphenol PCD Shenzhen Co. Ltd RESERVES THE RIGHT TO CLARIFY THIS DRAWING	

Amphenol PCD Shenzhen		TITLE	
ENGR	Otc-16-2019	HVSP-R8 PLUG	
CHKD		SIZE	DWG NO.
APPD		A3	C-HVSP9R8FCXXXL0000
		REV	2
CODE: 58982	SCALE: 2:1	SHEET 1	OF 1

+ CRITICAL CHARACTERISTIC MARKS/关键特性符号
◎ IMPORTANT CHARACTERISTIC MARKS/重要特性符号