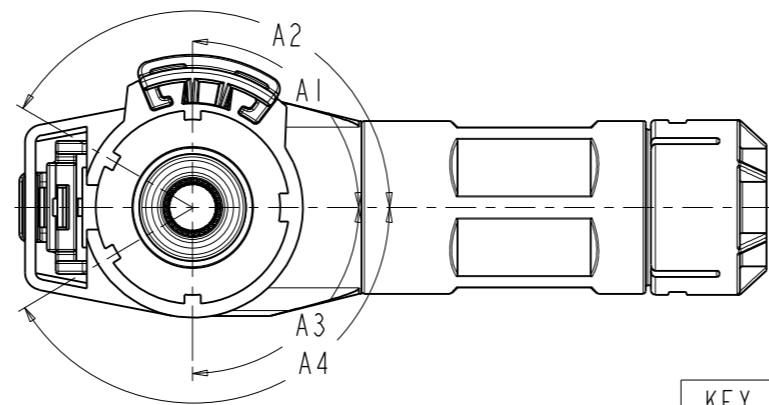
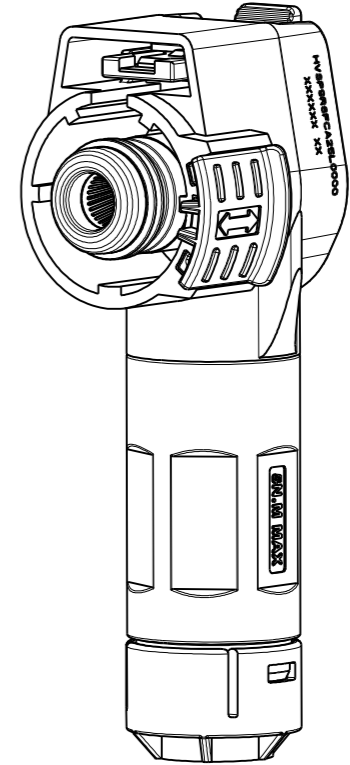
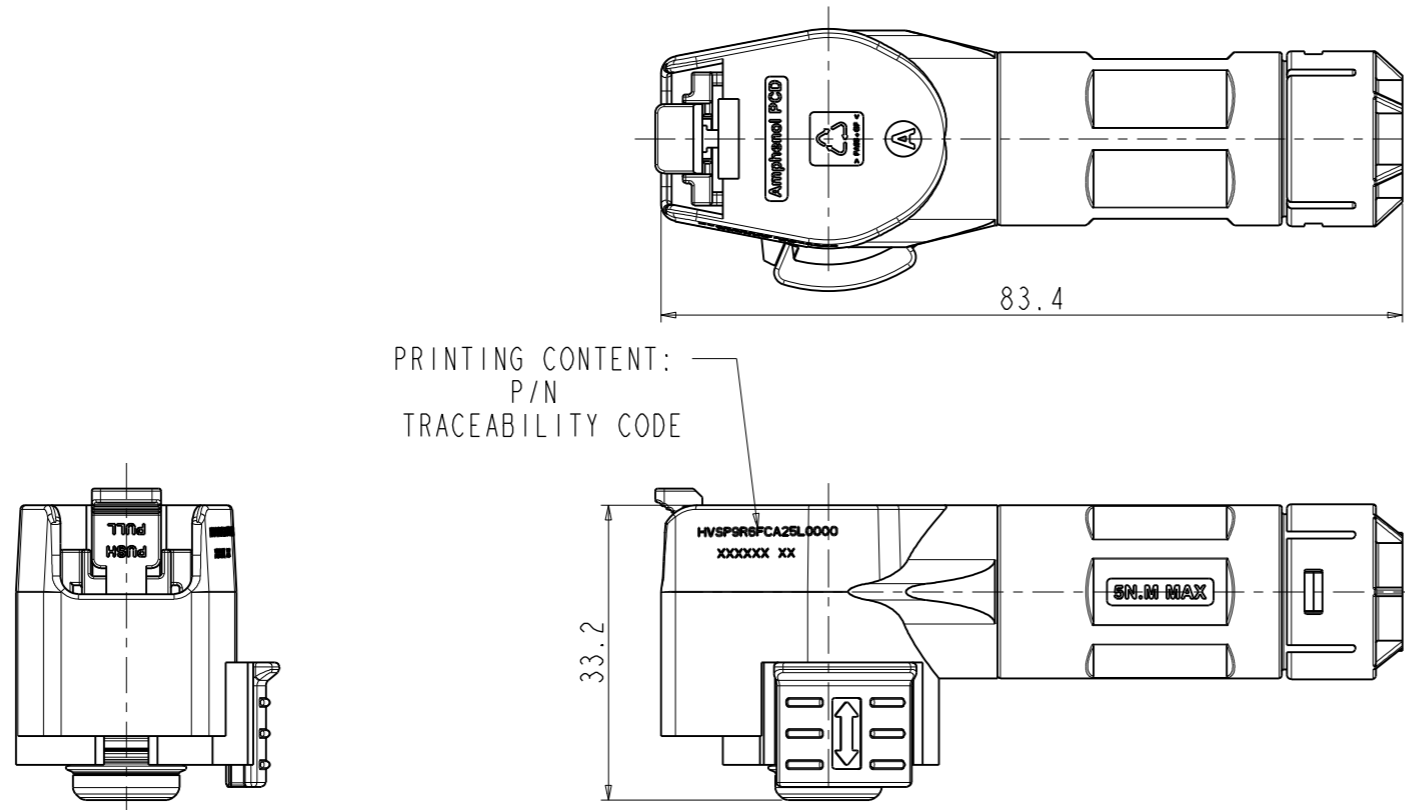


C-HVSP9R6FCXX25L0000

REV	ECN	DESCRIPTION	DATE	MODIFIED
1		FIRST RELEASE	Otc-17-2019	
2	C5607	UPGRADE THE RATING VOLTAGE	Jan-26-2022	

ORIGINAL
PDF Format
R&D



HVSP 9R6 FC X X 25 L0000

TECHNICAL DATA		REMARK
CURRENT RATE (25MM ² CABLE)	UP TO 120A	+
RATING VOLTAGE (OVERVOLTAGE CATEGORY II POLLUTION DEGREE 2)	1500V DC	+
OPERATING TEMPERATURE	-40~125°C	
DIELECTRIC WITHSTANDING VOLTAGE	4000V AC(RMS)	+
INSULATION RESISTANCE	200MΩ MIN. @25°C	+
DURABILITY	50 CYCLES	◎
SHIELDING	NO	
WATERPROOF (MATED CONDITION)	IP 67	+
AMBIENT TEMPERATURE	-40~70 C	
PROTECTION LEVEL	IP2XB	+
RoHS&REACH	YES	+

△
△

KEY	A1	A2	A3	A4
A	90°	150°	90°	150°
B	90°	120°	90°	120°
C	120°	150°	120°	150°
D	120°	150°	90°	150°
E	90°	150°	120°	150°

CODE	COLOR	CABLE	DESCRIPTION
/	ORANGE	25	25MM2 UNSHIELDING ORANGE OD=9.5 TO 11
B	BLACK		

+ CRITICAL CHARACTERISTIC MARKS / 关键特性符号
◎ IMPORTANT CHARACTERISTIC MARKS / 重要特性符号

DIMENSIONS	TOLERANCES	PROJECTION	TITLE	
ANSI Y14.5M UNITS: MM Pro/E FILE	X ±0.5 XX ±0.05 ANGLES ±2°		HVSP-R6 PLUG	
ORIGINAL	THIS DOCUMENT CONTAINS PROPRIETARY INFORMATION WHICH IS THE CONFIDENTIAL PROPERTY OF Amphenol PCD Shenzhen Co. Ltd Amphenol PCD Shenzhen Co. Ltd RESERVES THE RIGHT TO CLARIFY THIS DRAWING	ENGR	SIZE	DWG NO.
		CHKD	A3 C-HVSP9R6FCXX25L0000	
		APPD	CODE: 58982	SCALE: 2:1
			SHEET 1	OF 1

C-HVSP9R6FCXX25L0000

C-HVSP9R6FCXX25L0000