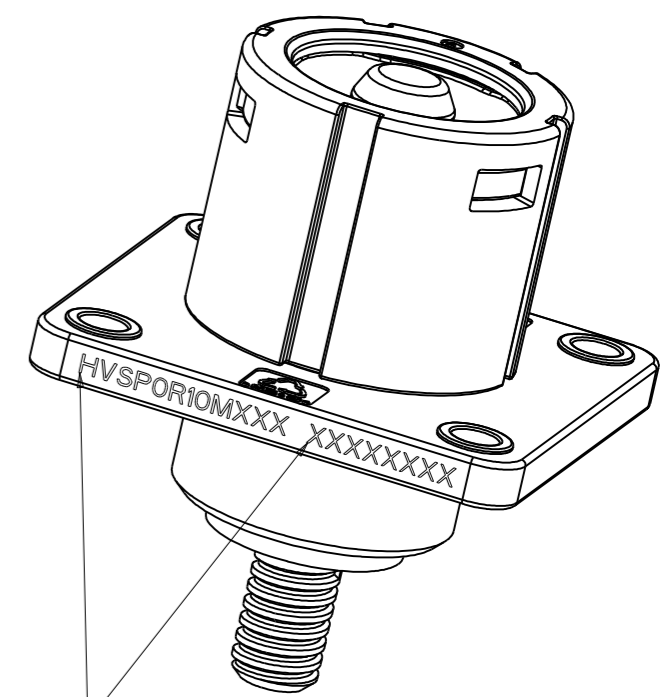
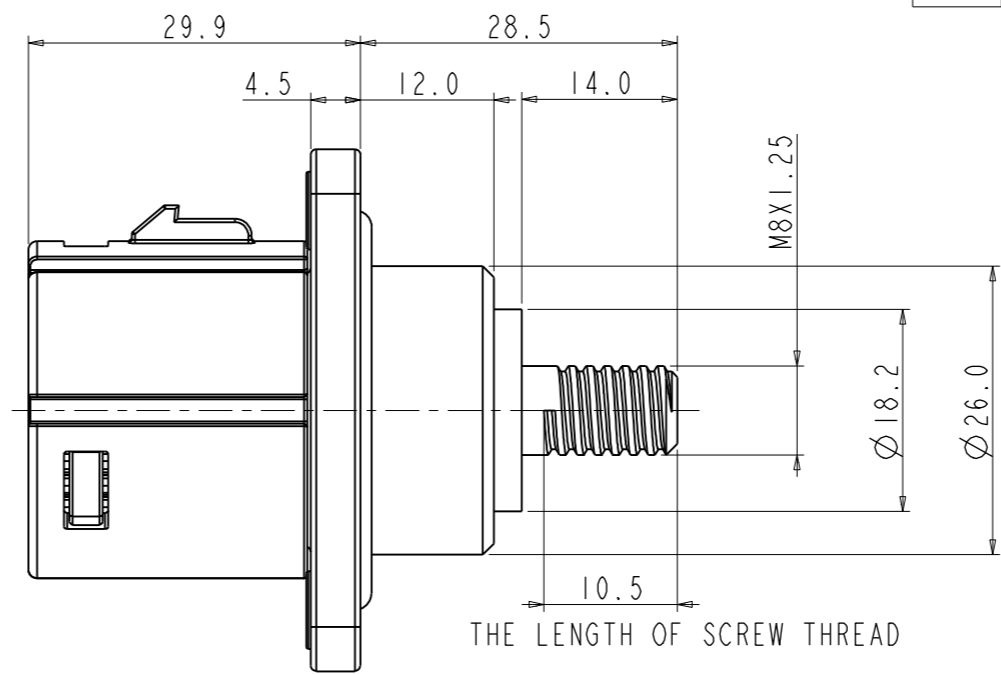
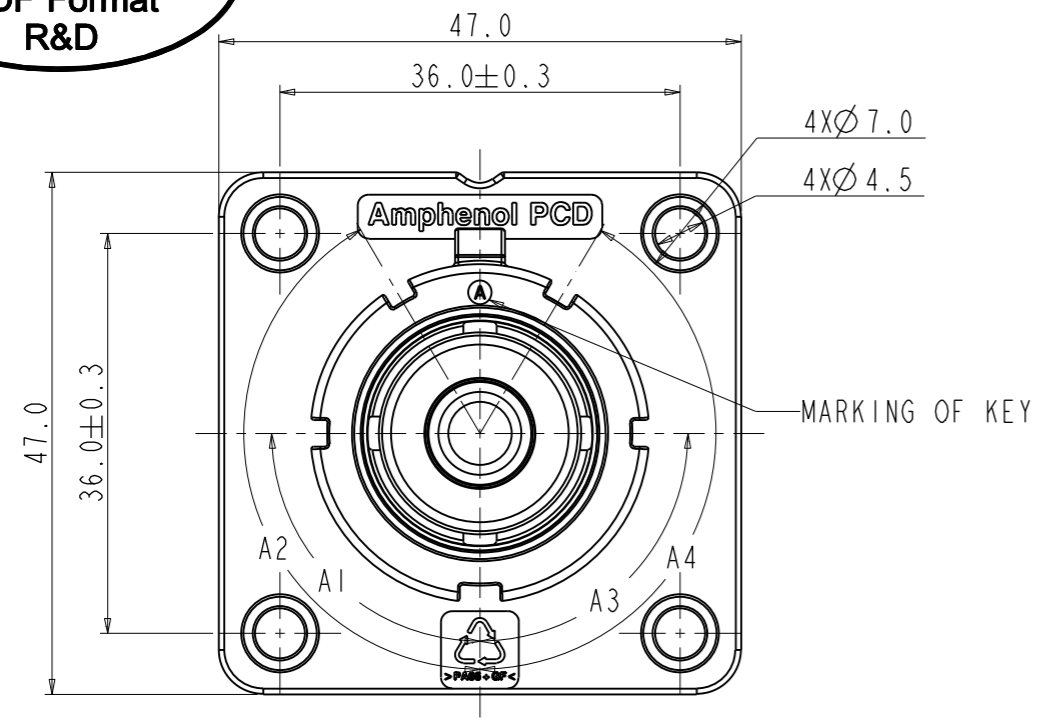


C-HVSPOR10MTXX

REV	ECN	DESCRIPTION	DATE	MODIFIED
A		PRE-RELEASE	Mar-30-2015	
B		CHANGE THE SCREW	Apr-16-2015	
C	R4066N	ADJUST THE TORQUE	Apr-08-2020	
D	C5607N	UPGRADE THE RATING VOLTAGE	Jul-07-2022	

ORIGINAL
PDF Format
R&D

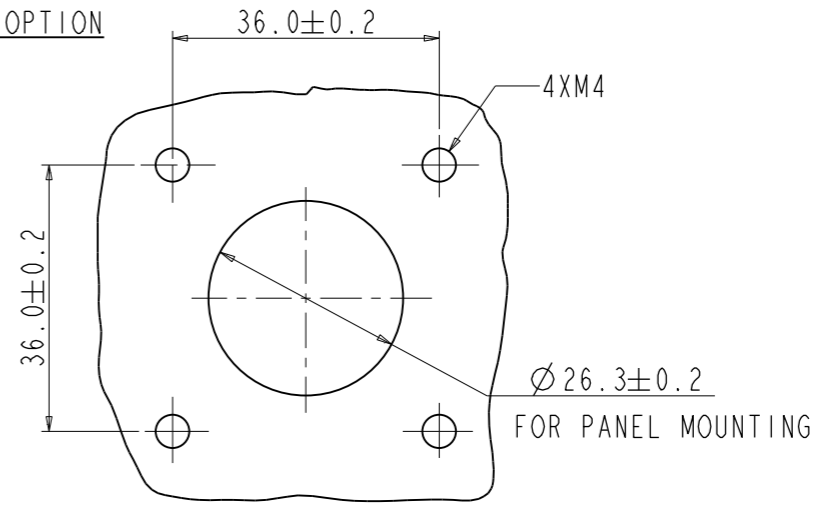


- NOTE:
1. FLANGE MATCHING SCREW IS M4 SUGGEST THE LOCKING TORQUE IS 1.2N.M
 2. CONTACT MATCHING SCREW IS M8X1.25 SUGGEST THE LOCKING TORQUE IS 13.4N.M
 3. RoHS COMPLIANCE
 4. PART NUMBER DESCRIPTION: HVSPOR10MT X X

KEY OF CODING OPTION

PART NO.	A1	A2	A3	A4
A	90°	150°	90°	150°
B	90°	120°	90°	120°
C	120°	150°	120°	150°
D	120°	150°	90°	150°
E	90°	150°	120°	150°

COLOR OF CODING OPTION
N/A=ORANGE
B=BLACK



TECHNICAL DATA		REMARK
CURRENT RATE(70MM ² CABLE)	UP TO 250A	+
CURRENT RATE(50MM ² CABLE)	UP TO 180A	+
RATING VOLTAGE (OVERVOLTAGE CATEGORY II POLLUTION DEGREE 2)	1500V DC	+ Δ
OPERATING TEMPERATURE	-40~125°C	
DIELECTRIC WITHSTANDING VOLTAGE	4000V AC(RMS)	+ Δ
INSULATION RESISTANCE	200M Ω MIN. 25 C, NO CABLE	+
DURABILITY	50 CYCLES	⊙
SHIELDING	NO	
WATERPROOF(MATED CONDITION)	IP 67	+
AMBIENT TEMPERATURE	-40~70°C	
PROTECTION LEVEL	IP2XB	+
RoHS	YES	+

DIMENSIONS	TOLERANCES	PROJECTION	TITLE		
ANSI Y14.5M UNITS: MM Pro/E FILE	X ±0.5 XX ±0.05 ANGLES ±2°		Amphenol PCD Shenzhen		
ORIGINAL	THIS DOCUMENT CONTAINS PROPRIETARY INFORMATION WHICH IS THE CONFIDENTIAL PROPERTY OF Amphenol PCD Shenzhen Co. Ltd Amphenol PCD Shenzhen Co. Ltd RESERVES THE RIGHT TO CLARIFY THIS DRAWING	ENGR	Mar-30-2015		
		CHKD	SIZE	DWG NO.	REV
		APPD	A3	C-HVSPOR10MTXX	D
			CODE: 58982	SCALE: 2:1	SHEET 1 OF 1

C-HVSPOR10MTXX

C-HVSPOR10MTXX