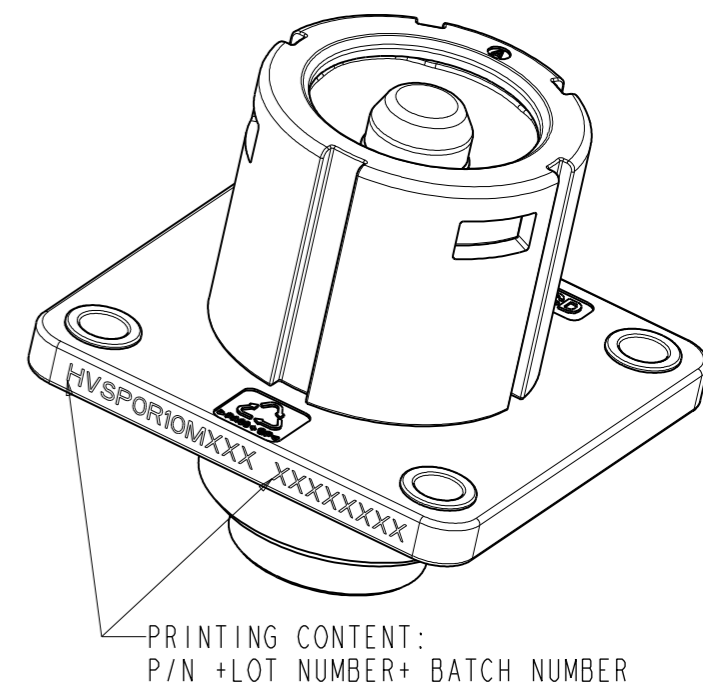
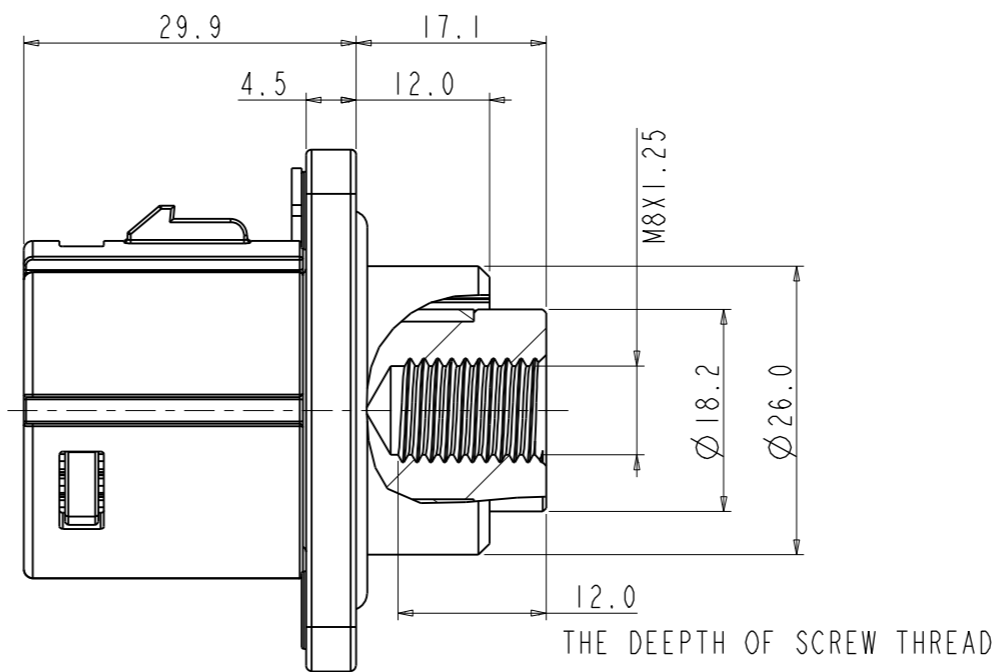
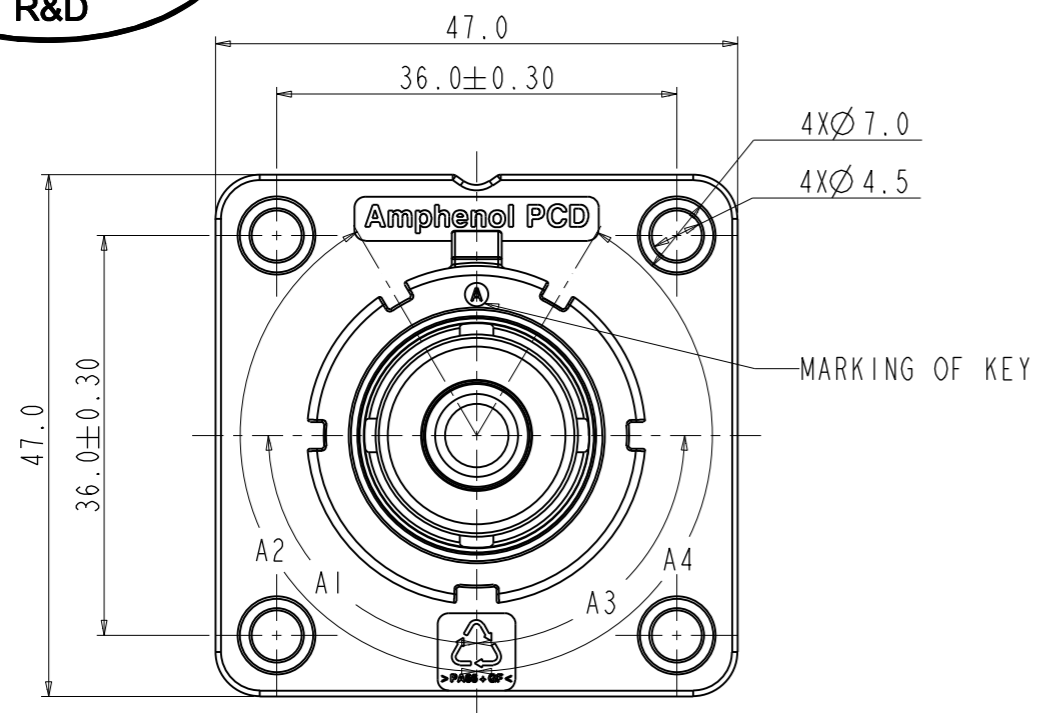


C-HVSPOR10MDXX

REV	ECN	DESCRIPTION	DATE	MODIFIED
B		RELEASE	2015.11.02	
C	R4066N	ADJUST THE TORQUE	2020.04.08	
D	C5607N	UPGRADE THE RATING VOLTAGE	2021.07.12	

ORIGINAL  
PDF Format  
R&D



SECTION A-A

- NOTE:
1. FLANGE MATCHING SCREW IS M4 SUGGEST THE LOCKING TORQUE IS 1.2N.M
  2. CONTACT MATCHING SCREW IS M8X1.25 SUGGEST THE LOCKING TORQUE IS 13.4N.M
  3. RoHS COMPLIANCE
  4. PART NUMBER DESCRIPTION: HVSPOR10MD X X

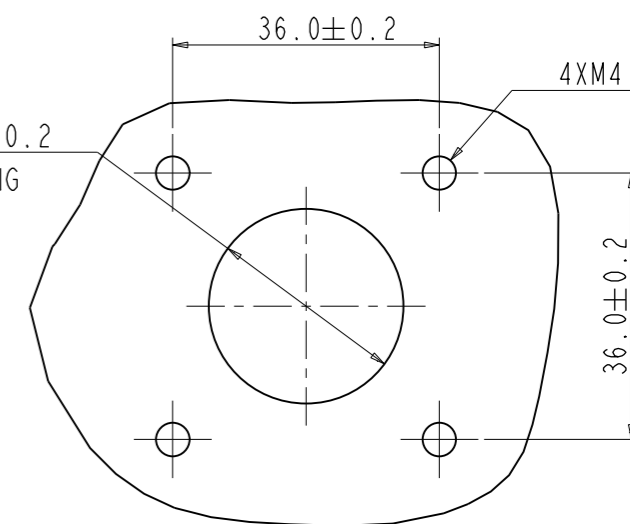
KEY OF CODING OPTION

PART NO.	A1	A2	A3	A4
A	90°	150°	90°	150°
B	90°	120°	90°	120°
C	120°	150°	120°	150°
D	120°	150°	90°	150°
E	90°	150°	120°	150°

COLOR OF CODING OPTION

N/A=ORANGE  
B=BLACK

FOR PANEL MOUNTING



PANEL CUT OUT REFERENCE

TECHNICAL DATA		REMARK
CURRENT RATE(70MM <sup>2</sup> CABLE)	UP TO 250A	+
CURRENT RATE(50MM <sup>2</sup> CABLE)	UP TO 180A	+
RATING VOLTAGE (OVERVOLTAGE CATEGORY II POLLUTION DEGREE 2)	1500V DC	+ △
OPERATING TEMPERATURE	-40~125°C	
DIELECTRIC WITHSTANDING VOLTAGE	4000V AC(RMS)	+ △
INSULATION RESISTANCE	200MΩ MIN. 25 C, NO CABLE	+ △
DURABILITY	50 CYCLES	◎
SHIELDING	NO	
WATERPROOF(MATED CONDITION)	IP 67	+
AMBIENT TEMPERATURE	-40~70°C	
PROTECTION LEVEL	IP2XB	+
RoHS	YES	+

DIMENSIONS	TOLERANCES	PROJECTION	TITLE	
ANSI Y14.5M UNITS: MM Pro/E FILE	X ±0.5 XX ±0.05 ANGLES ±2°		Amphenol PCD Shenzhen	
ORIGINAL	THIS DOCUMENT CONTAINS PROPRIETARY INFORMATION WHICH IS THE CONFIDENTIAL PROPERTY OF Amphenol PCD Shenzhen Co. Ltd RESERVES THE RIGHT TO CLARIFY THIS DRAWING		ENGP	2015.11.02
			CHKD	
			APPD	
			SIZE A3	DWG NO. C-HVSPOR10MDXX
			REV D	
			CODE: 58982	SCALE: 2:1
			SHEET 1	OF 1

C-HVSPOR10MDXX

C-HVSPOR10MDXX