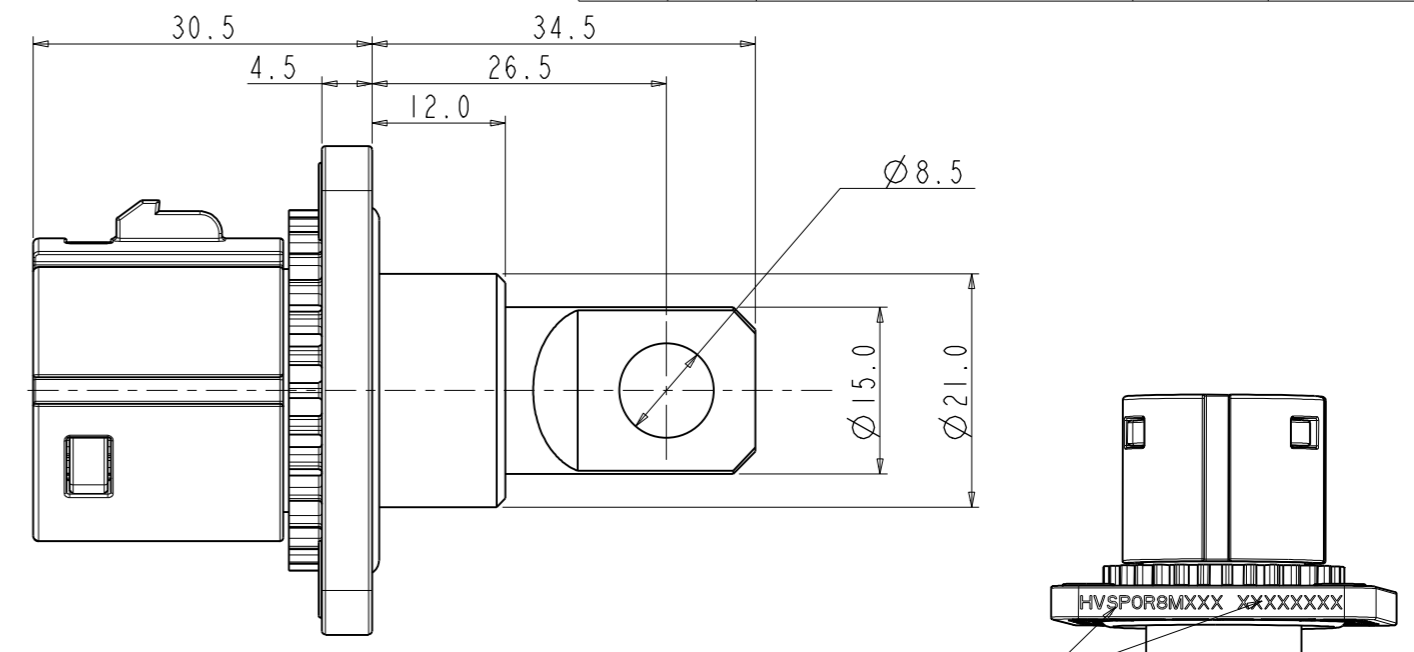
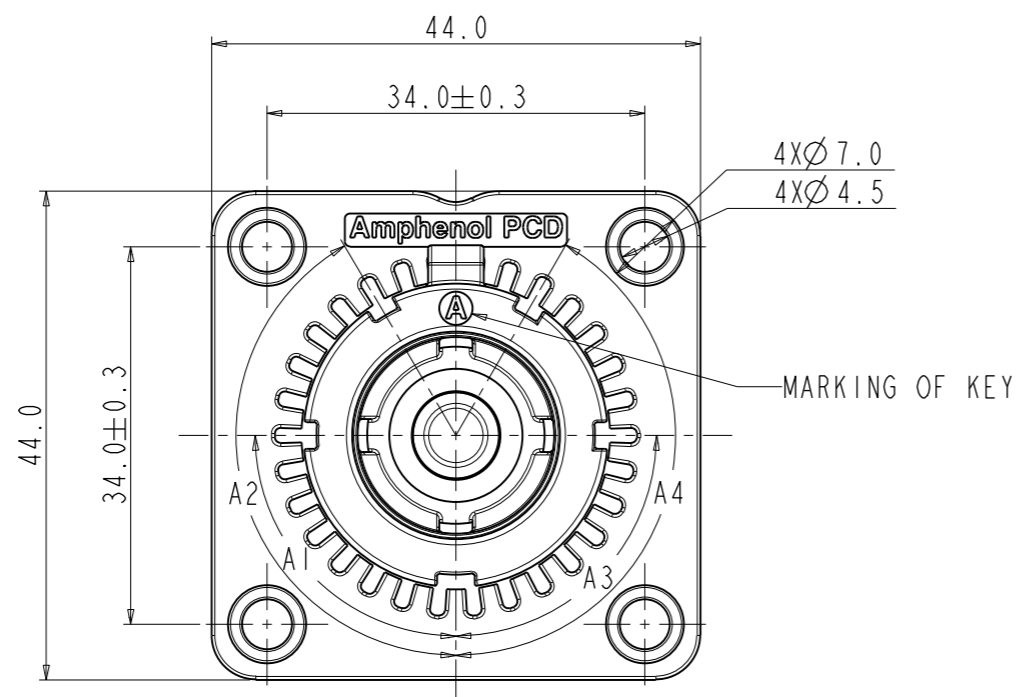


C-HVSP0R8MHXX

REV	ECN	DESCRIPTION	DATE	MODIFIED
1		FIRST RELEASE	Otc-16-2019	
2	R4066N	ADJUST THE TORQUE	Apr-08-2020	
3	C5607N	UPGRADE THE RATING VOLTAGE	Jun-27-2022	

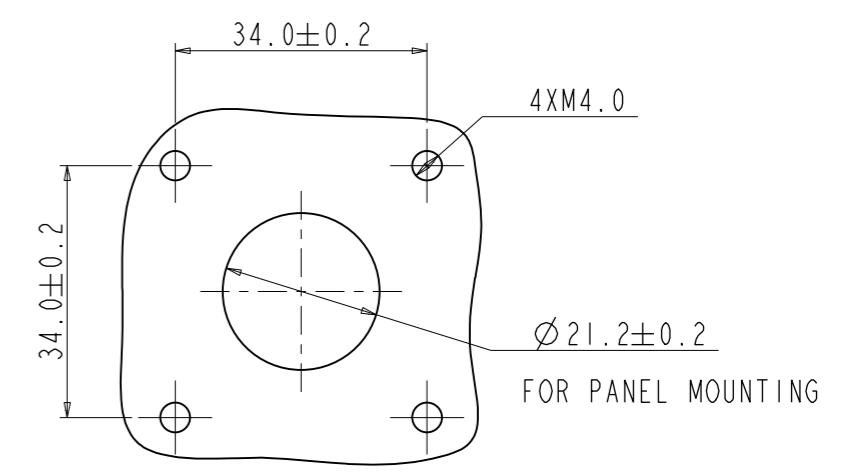
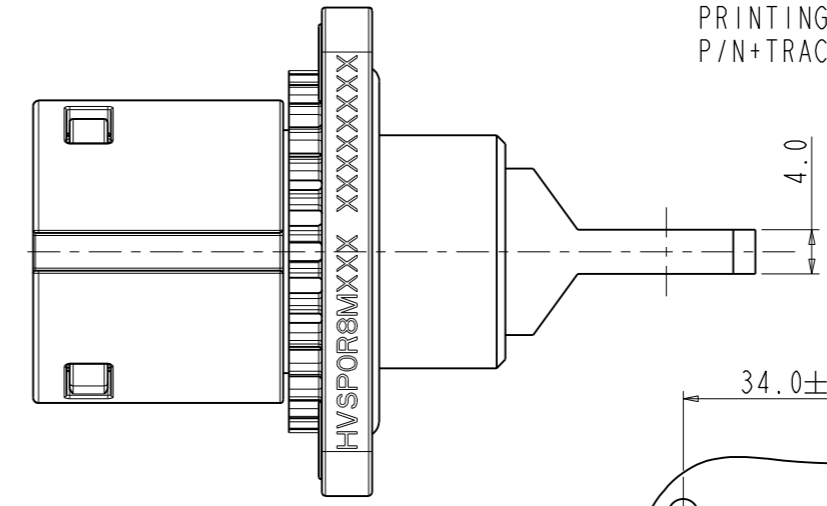
ORIGINAL
PDF Format
R&D



- NOTE:
1. FLANGE MATCHING SCREW IS M4 SUGGEST THE LOCKING TORQUE IS 1.2N.M
 2. CONTACT MATCHING SCREW IS M8 SUGGEST THE LOCKING TORQUE IS 13.4N.M
 3. RoHS&REACH COMPLIANCE
 4. PART NUMBER DESCRIPTION: HVSP0R8MH X X

PART NO.	KEY OF CODING OPTION				COLOR OF CODING OPTION N/A=ORANGE B=BLACK
	A1	A2	A3	A4	
A	90°	150°	90°	150°	
B	90°	120°	90°	120°	
C	120°	150°	120°	150°	
D	120°	150°	90°	150°	
E	90°	150°	120°	150°	

PRINTING CONTENT:
P/N+TRACEABILITY CODE



TECHNICAL DATA		REMARK
CURRENT RATE(50MM ² CABLE)	UP TO 180A	+
CURRENT RATE(35MM ² CABLE)	UP TO 150A	+
RATING VOLTAGE (OVERVOLTAGE CATEGORY II POLLUTION DEGREE 2)	1500V DC	+ 3
OPERATING TEMPERATURE	-40~125°C	
DIELECTRIC WITHSTANDING VOLTAGE	4000V AC(RMS)	+
INSULATION RESISTANCE	200MΩ MIN. 25°C, NO CABLE	+ 3
DURABILITY	50 CYCLES	◎
SHIELDING	NO	
WATERPROOF(MATED CONDITION)	IP 67	+
AMBIENT TEMPERATURE	-40~70°C	
PROTECTION LEVEL	IP2XB	+
RoHS&REACH	YES	+

DIMENSIONS	TOLERANCES	PROJECTION	TITLE	
ANSI Y14.5M UNITS: MM Pro/E FILE	X ±0.5 XX ±0.05 ANGLES ±2°		Amphenol PCD Shenzhen	
ORIGINAL	THIS DOCUMENT CONTAINS PROPRIETARY INFORMATION WHICH IS THE CONFIDENTIAL PROPERTY OF Amphenol PCD Shenzhen Co. Ltd Amphenol PCD Shenzhen Co. Ltd RESERVES THE RIGHT TO CLARIFY THIS DRAWING		Otc-16-2019	
			ENGR	CHKD
			SIZE A3	DWG NO. C-HVSP0R8MHXX
			REV 3	
			CODE: 58982	SCALE: 2:1
			SHEET 1	OF 1

C-HVSP0R8MHXX

C-HVSP0R8MHXX