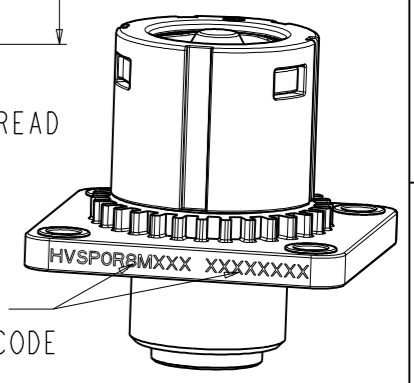
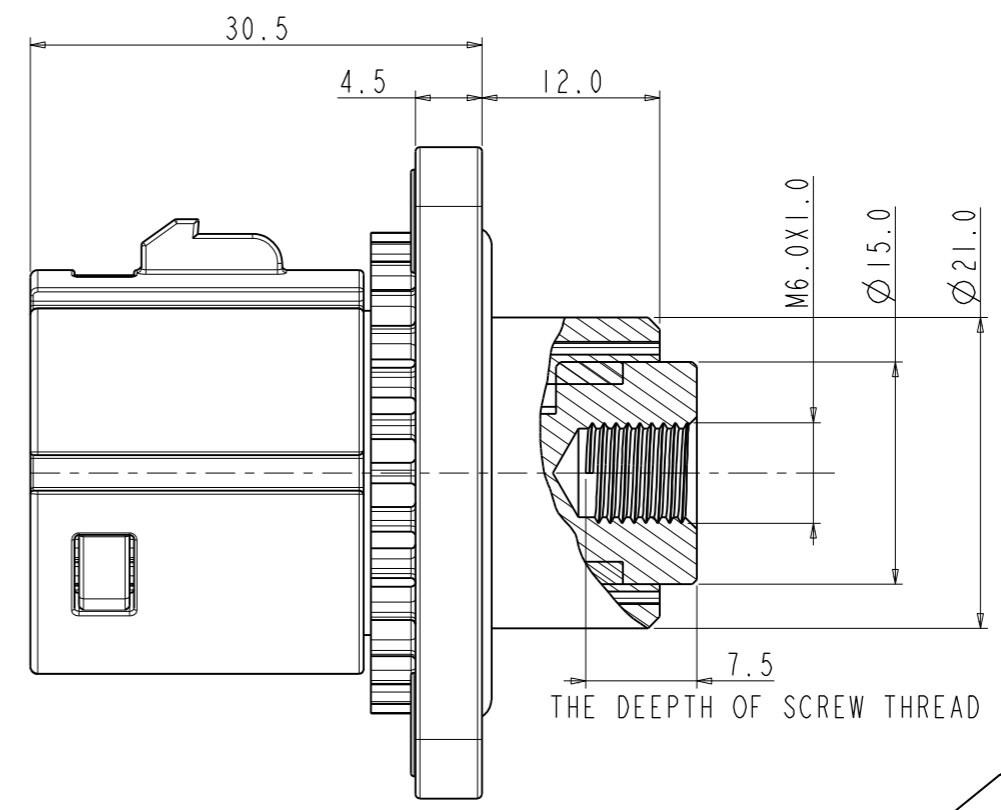
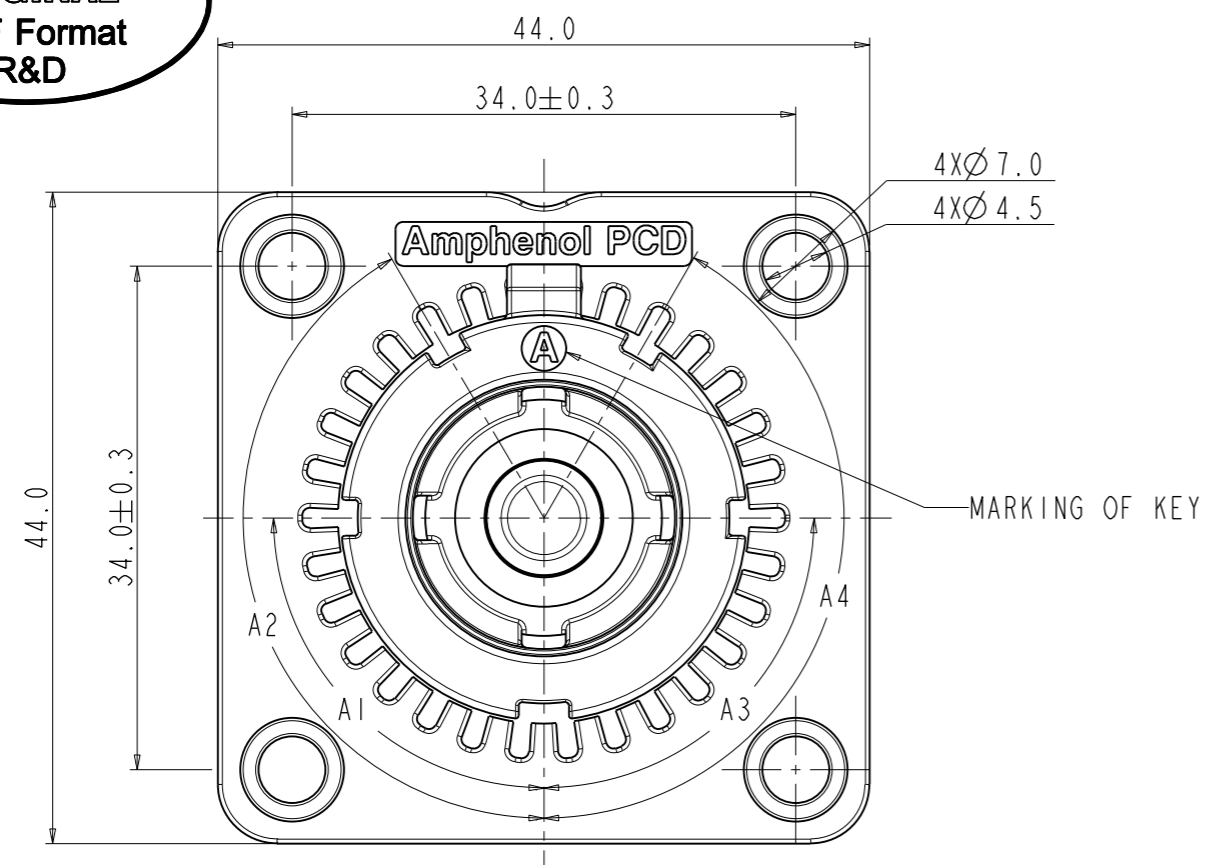


C-HVSP0R8MDXX

REV	ECN	DESCRIPTION	DATE	MODIFIED
A		FIRST RELEASE	Jun-17-2015	
B	R4066N	ADJUST THE TORQUE	Apr-08-2020	
C	C5607N	UPGRADE THE RATING VOLTAGE	Jun-27-2022	

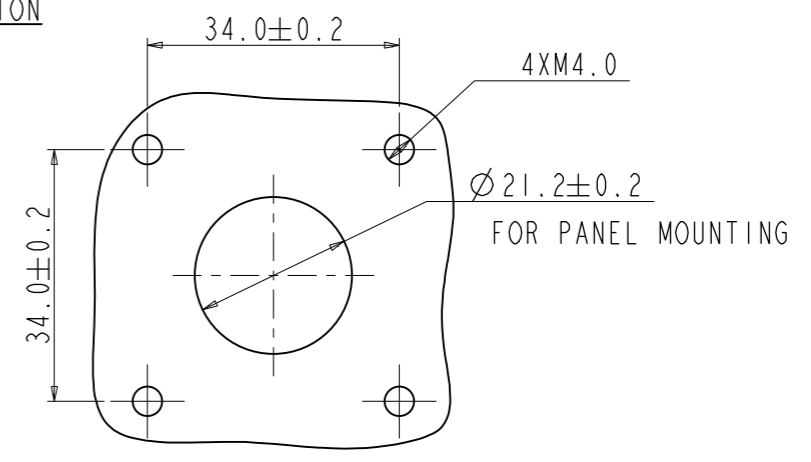
ORIGINAL
PDF Format
R&D



- NOTE:
1. FLANGE MATCHING SCREW IS M4 SUGGEST THE LOCKING TORQUE IS 1.2N.M
 2. CONTACT MATCHING SCREW IS M6X1.0 SUGGEST THE LOCKING TORQUE IS 6N.M
 3. RoHS&REACH COMPLIANCE
 4. PART NUMBER DESCRIPTION: HVSP0R8MD X X

PRINTING CONTENT:
P/N+TRACEABILITY CODE

PART NO.	KEY OF CODING OPTION				COLOR OF CODING OPTION N/A=ORANGE B=BLACK
	A1	A2	A3	A4	
A	90°	150°	90°	150°	
B	90°	120°	90°	120°	
C	120°	150°	120°	150°	
D	120°	150°	90°	150°	
E	90°	150°	120°	150°	



TECHNICAL DATA		REMARK
CURRENT RATE(50MM ² CABLE)	UP TO 180A	+
CURRENT RATE(35MM ² CABLE)	UP TO 150A	+
RATING VOLTAGE (OVERVOLTAGE CATEGORY II POLLUTION DEGREE 2)	1500V DC	+ △
OPERATING TEMPERATURE	-40~125°C	
DIELECTRIC WITHSTANDING VOLTAGE	4000V AC(RMS)	+ △
INSULATION RESISTANCE	200MΩ MIN. 25°C, NO CABLE	+ △
DURABILITY	50 CYCLES	◎
SHIELDING	NO	
WATERPROOF(MATED CONDITION)	IP 67	+ △
AMBIENT TEMPERATURE	-40~70°C	
PROTECTION LEVEL	IP2XB	+ △
RoHS&REACH	YES	+ △

DIMENSIONS	TOLERANCES	PROJECTION	TITLE	
ANSI Y14.5M	.X ±0.5		Amphenol PCD Shenzhen	
UNITS: MM	.XX ±0.05		ENGR Jun-17-2015	
Pro/E FILE	ANGLES ±2°	CHKD	SIZE	DWG NO.
ORIGINAL	THIS DOCUMENT CONTAINS PROPRIETARY INFORMATION WHICH IS THE CONFIDENTIAL PROPERTY OF Amphenol PCD Shenzhen Co. Ltd Amphenol PCD Shenzhen Co. Ltd RESERVES THE RIGHT TO CLARIFY THIS DRAWING	APPD	A3	C-HVSP0R8MDXX
				CODE: 58982
			SHEET 1	OF 1

C-HVSP0R8MDXX

C-HVSP0R8MDXX