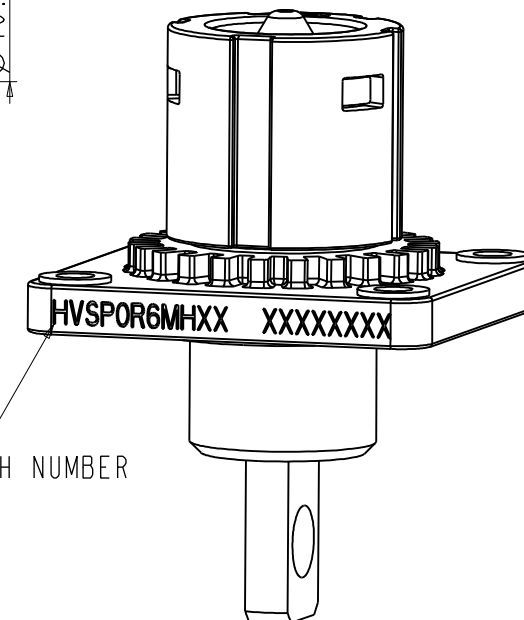
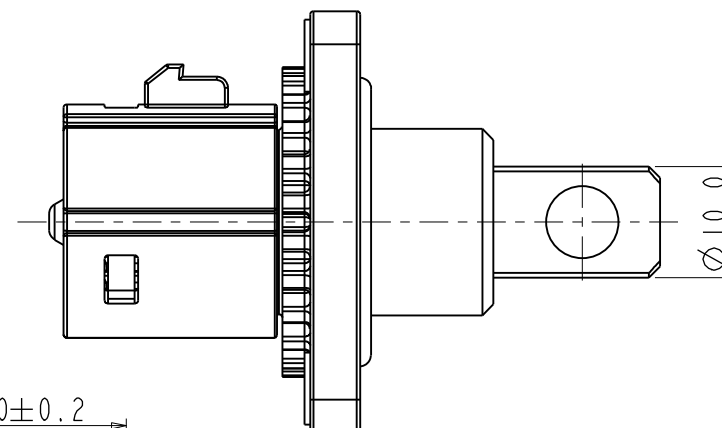
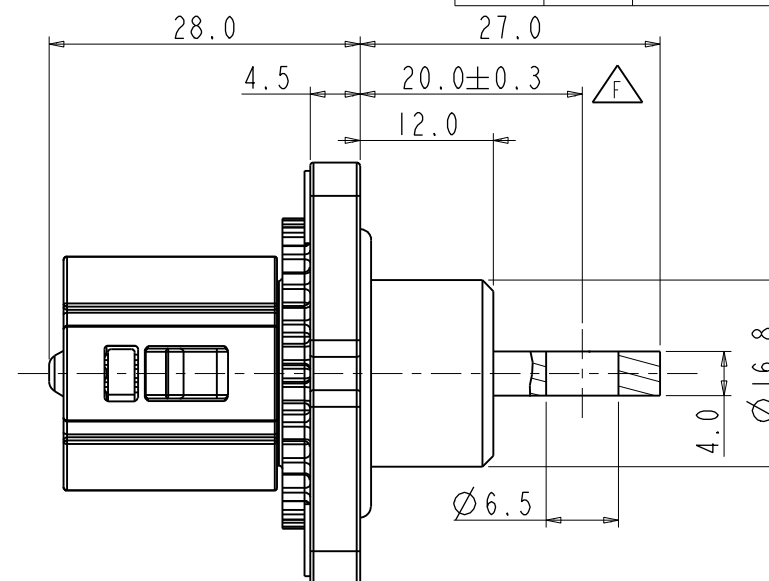
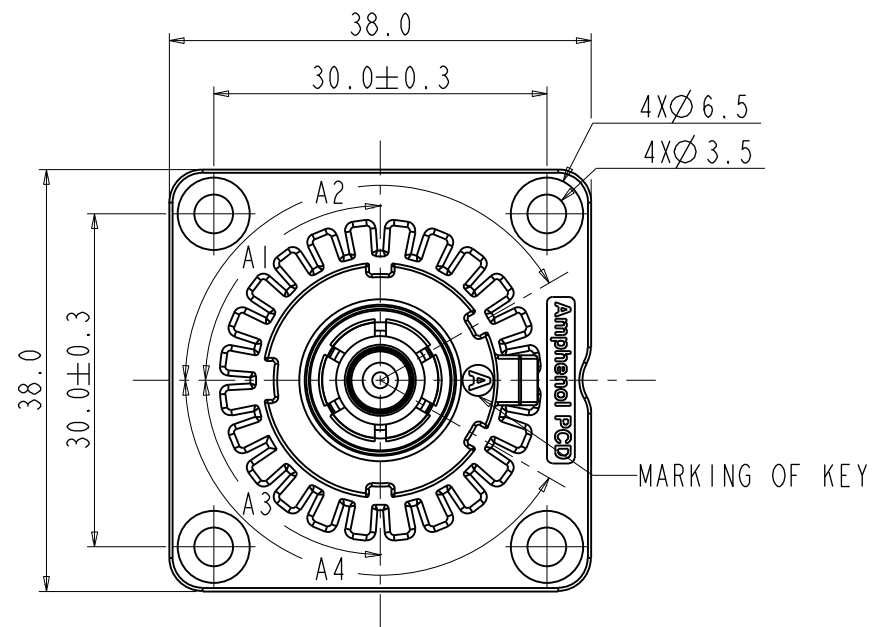


REV	ECN	DESCRIPTION	DATE	MODIFIED
A		FIRST RELEASE	Nov-12-2015	.
B	C2917	INCREASE THE SPECIFICATIONS	Mar-07-2016	
C		CHANGE THE TERMINAL STRUCTURE	Feb-10-2017	
D	C3211N	CHANGE THE SCREW TERMINAL	Apr-16-2019	
E	R4066N	ADJUST THE TORQUE	Feb-24-2020	
F	C5995N	ADJUSTMENG TOLERANCE	Dec-08-2021	



PRINTING CONTENT:  
P/N + LOT NUMBER + BATCH NUMBER

NOTE:  
1. FLANGE MATCHING SCREW IS M3 SUGGEST THE LOCKING TORQUE IS 0.6N.m  
2. CONTACT MATCHING SCREW IS M6X1.0 SUGGEST THE LOCKING TORQUE IS 6N.m  
3. PART NUMBER DESCRIPTION:

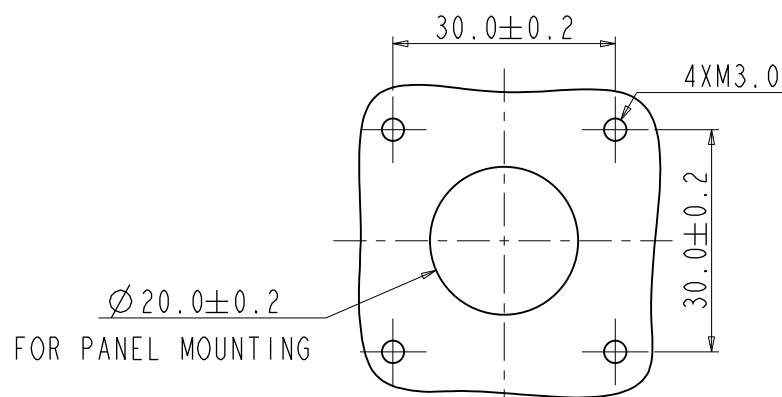
HVSPOR6MH X X

KEY OF CODING OPTION

COLOR OF CODING OPTION

PART NO.	A1	A2	A3	A4
A	90°	150°	90°	150°
B	90°	120°	90°	120°
C	120°	150°	120°	150°
D	120°	150°	90°	150°
E	90°	150°	120°	150°

N/A=ORANGE  
B=BLACK



PANEL CUT-OUT REFERENCE

TECHNICAL DATA		REMARK
CURRENT RATE(25MM <sup>2</sup> CABLE)	UP TO 120A	+
RATING VOLTAGE (OVERVOLTAGE CATEGORY II POLLUTION DEGREE 2)	1500V DC	+
OPERATING TEMPERATURE	-40~125°C	
DIELECTRIC WITHSTANDING VOLTAGE	4000V AC(RAMS)	+
INSULATION RESISTANCE	200MΩ MIN. 25 C, NO CABLE	+
DURABILITY	50 CYCLES	⊙
SHIELDING	NO	
WATERPROOF(MATED CONDITION)	IP 67	+
AMBIENT TEMPERATURE	-40~70°C	
PROTECTION LEVEL	IP2XB	+
RoHS&REACH	YES	+

DIMENSIONS	TOLERANCES	PROJECTION	TITLE		
ANSI Y14.5M UNITS: MM Pro/E FILE	X ±0.5 XX ±0.05 ANGLES ±2°		Amphenol PCD Shenzhen		
			ENGR Nov-20-2015		
			CHKD	SIZE A3	DWG NO. C-HVSPOR6MHXX
			APPD		REV F
ORIGINAL	THIS DOCUMENT CONTAINS PROPRIETARY INFORMATION WHICH IS THE CONFIDENTIAL PROPERTY OF Amphenol PCD Shenzhen Co. Ltd Amphenol PCD Shenzhen Co. Ltd RESERVES THE RIGHT TO CLARIFY THIS DRAWING		CODE: 58982	SCALE: 2:1	SHEET 1 OF 1

C-HVSPOR6MHXX

C-HVSPOR6MHXX